

JVC

HD PTZ Remote Camera

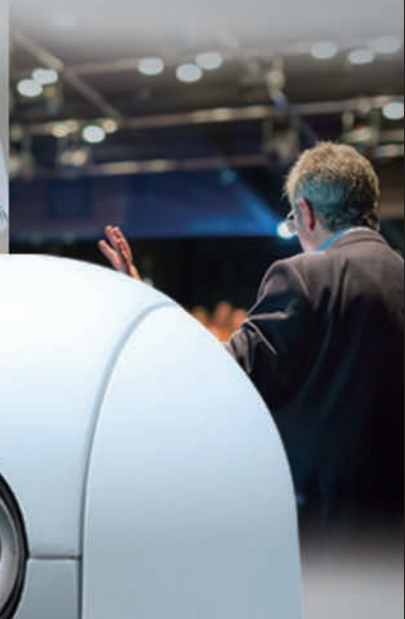
KY-PZ100 B (Black)

KY-PZ100W (White)

Remote Camera Controller

RM-LP100

Your IP-Controlled HD Video Streaming
and Delivery Solution



HDMI
HIGH-DEFINITION MULTIMEDIA INTERFACE

micro SD

micro SDXC

MOV QuickTime

MP4

ftp

WiFi



Acquire From The World. Deliver To The World.

The IP camera that really works for you — from conferences and lectures to concerts and weddings. Stream it live, control it in remote places, and distribute it worldwide. Count on a powerful combination of the PTZ IP camera and the camera controller, from JVC.



Versatile IP Connectivity including Wi-Fi* and 4G/LTE*

The KY-PZ100 is the PTZ camera that features JVC's unique IP communications engine providing network connection via Wi-Fi*, 4G/LTE*, or wired LAN.

*Wi-Fi and 4G/LTE require optional network adapter.

Control from Remote Location with PC

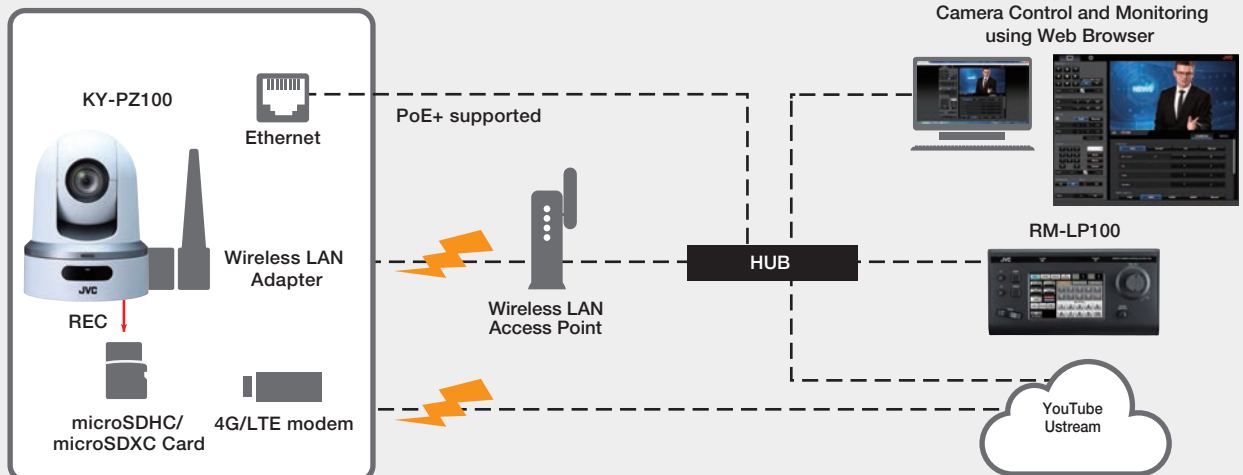
Using a browser, video monitoring and remote camera control can be performed with a PC from all over the world.

RTMP for Direct Streaming to Content Delivery Network

RTMP protocol support enables direct streaming to YouTube, etc. Other various protocols and bitrates are supported for a variety of usages.

IP Video Streaming, Distribution and Control Solution

--- : LAN



Note: Some functions or connections on this configuration may be limited depending on modes of KY-PZ100 and RM-LP100 or combination of equipment.

HD PTZ Remote Camera
KY-PZ100B



HD PTZ Remote Camera
KY-PZ100W

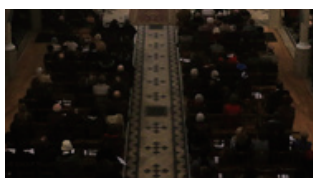


Remote Camera Controller
RM-LP100



0.02 lx of Minimum Illumination for Precise Color Reproduction

In High-Sensitivity mode, minimum illumination is 0.02 lx. Superior color reproduction is ensured even at low light. The Night Mode is also available for even darker environments (0.003 lx of minimum illumination).



Normal color reproduction



High Sensitivity mode

Powerful 30x Optical Zoom

Equipped with 30x optical zoom, the KY-PZ100 is capable of capturing distant subjects. Even in a grand hall or auditorium, the speaker's expressions and handwriting on a board will be clearly captured. 12x digital zoom is also available.



Direct Drive Mechanism for Accurate and Quiet Pan/Tilt

The KY-PZ100 incorporates JVC's Direct Drive Motor that offers precise, highly responsive pan/tilt and silent movement compared to the normal stepping motor mechanism.



- Super Fast Pan/Tilt of max. 480°/sec*. With maximum 480°/sec*. movement offers the scene transition sharply.

*In case with AC adapter, 400°/sec. with PoE+.

- Super Slow Pan/Tilt of min. 0.1°/sec.

Extremely slow movement of 0.1°/sec. offers a good look at the scene even at high zoom rates.

- Extremely Silent Operation

Operating noise of Direct Drive is approx. 20% lower than normal stepping motor system, which is especially suitable for the usage of classic concert, church and so on.

- High Accuracy of +/-0.03° for Preset Positions

Adjusts to preset positions with high accuracy, offset less than 0.03°. Maintains precise shooting positions even at high magnification with virtually no deviation.

Note: Above mechanism photo is for explanatory purpose and is not an actual image of KY-PZ100.

Simultaneous Output of 3G-SDI and HDMI in addition to IP

Simultaneous digital output capability, with up to 1920x1080/60p video through 3G-SDI/HDMI/IP, makes the KY-PZ100 ideal for webcasting as well as viewing and recording of conferences, lectures, and other live events.

PoE+ for Simple and Flexible Installation

You can reduce installation cost with the KY-PZ100 that supports PoE+ (Power-over-Ethernet), which is capable of carrying IP video, audio control and power over a single connection cable.

Wide Dynamic Range Mode

The Wide Dynamic Range mode provides clear natural foreground images even under challenging highlight conditions.

Full HD 1080/50p, 60p High Quality Video

The KY-PZ100 offers progressive video recording of 1920x1080/50p, 60p at 50Mbps and streaming of 1920x1080/50p, 60p at 20Mbps.

Audio Input Function

Input audio through a microphone or a mixer can be IP output and embedded on SDI or HDMI output.

microSDHC/microSDXC Card Recording and File Upload Capability

The KY-PZ100 features a built-in digital recorder that records HD from 5Mbps to 50Mbps directly to microSDHC/microSDXC card. Recordings can be uploaded from the camera to an external server.

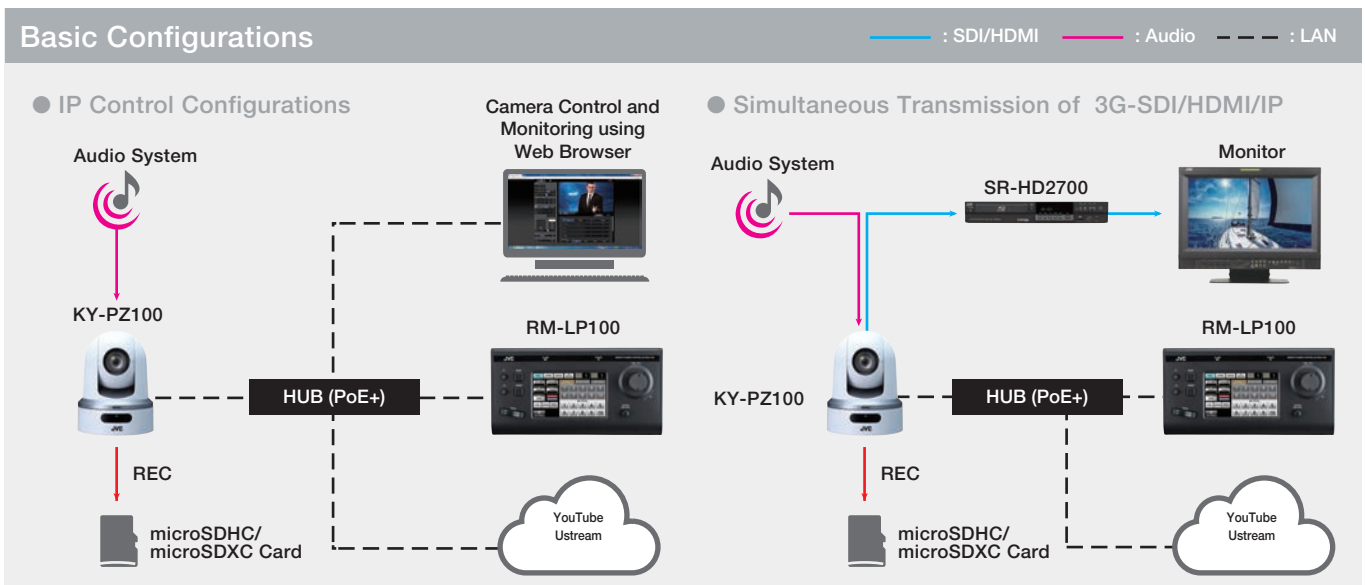
100 Preset Positions and Settings

Up to 100 points of PTZ positions and other settings such as focus and white balance can be memorized on the camera.

Reliable and Stable Streaming with Zixi* and SMPTE 2022-1

Thanks to SMPTE 2022-1 and Zixi* support, reliable and stable streaming is assured with forward error correction. Especially with Zixi protocol, even more reliable streaming is ensured with adaptive bit rate and automatic repeat request.

*Requires optional Zixi licensed decoder or server.



Note: Some functions or connections on these configurations may be limited depending on modes of KY-PZ100 and RM-LP100 or combination of equipment.

RM-LP100

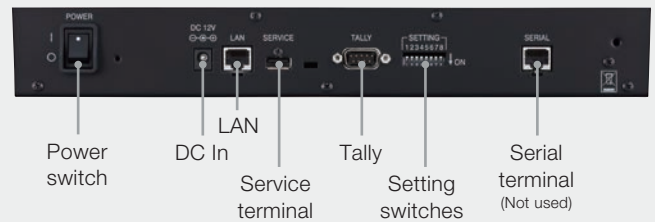
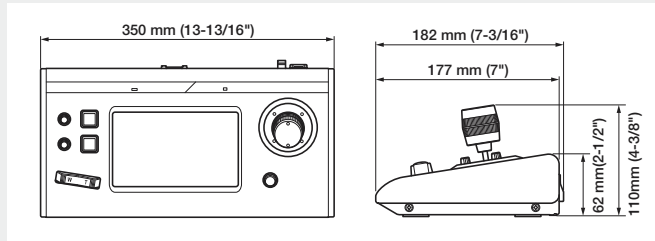
Remote Camera Controller

Get total control from where you are

This advanced controller connects to your network and provides complete IP control of multiple cameras on your network and over the Internet. Touch panel and control lever operation give you total control. Operate up to a hundred KY-PZ100 cameras from the controller.



- 7" touch-panel LCD for PTZ and CCU functions
- Professional zoom lever for smooth, variable speed zoom control
- Heavy duty control lever for precise pan/tilt control
- Focus dial with push-auto function
- User assignable function keys
- IP control of up to 100 cameras
- Tally Input/Output (D-Sub)



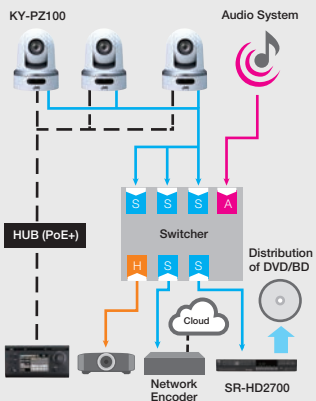
System Configurations

— : SDI — : Audio - - - : LAN — : HDMI



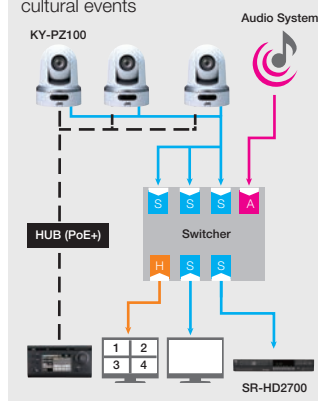
Worship

Delivering ceremonies and events via IP and conventional video



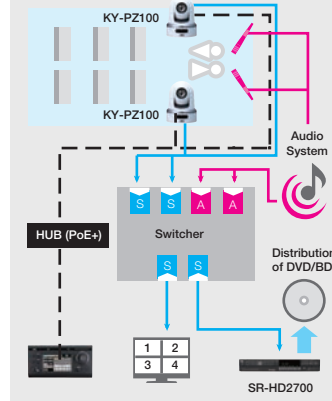
Education

Shooting and delivering from remote location for lectures, sports, or cultural events



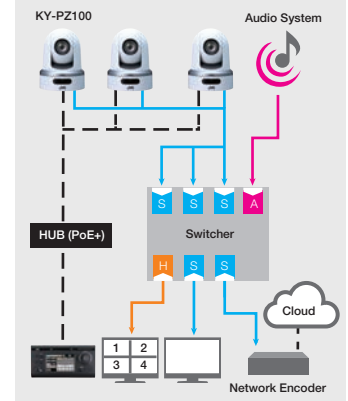
Bridal

Capturing the precious moment in silent, unmanned mood



Studio or Web Broadcast

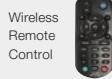
Smooth PTZ operation and tally for studio shooting and IP delivering



Note: Some functions or connections on these configurations may be limited depending on modes of KY-PZ100 and RM-LP100 or combination of equipment.

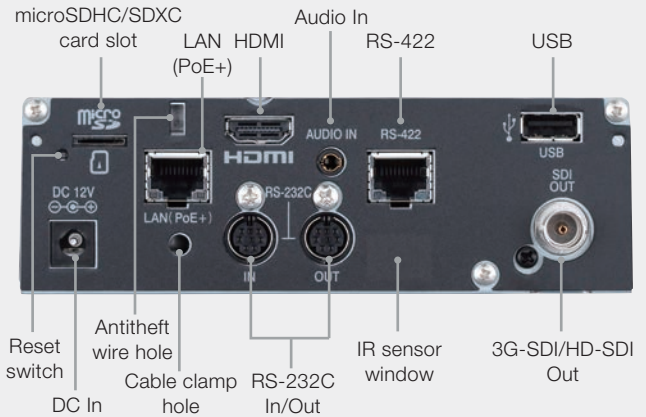
KY-PZ100B / PZ100W: Specifications

GENERAL SPECIFICATIONS	
Power	DC12V (AC adapter), DC42V to 57V (PoE+ power supply)
Power Consumption	1.6A (AC adapter), 0.4A (PoE+ power supply)
Dimensions	154 (W) x 200.7 (H) x 191 (D) mm
Weight	approx. 2.0 kg
Operation Temperature	0°C to 40°C (32°F to 104°F)
Storage Temperature	-20°C to 50°C (14°F to 122°F)
Operating Humidity	30% to 80%
Storage Humidity	Under 85%
Finish	KY-PZ100B: Black / KY-PZ100W: White
Supported Remote Controller	RM-LP100
CAMERA	
Image Sensor	1/2.8" CMOS 2.13M pixel
Lens	F1.6 (wide) to F4.7 (Tele) f=4.3mm to 129mm (30.5mm to 915mm (35mm equivalent)) 30x Optical Zoom
Digital Zoom	12x
Horizontal FOV	63.7° to 2.3°
Shutter Speed	1/8 to 1/10000 (U model), 1/6 to 1/10000 (E model)
Gain	0, 3, 6, 9, 12, 15, 18, 21, 24, 30, 36, 42, 48 dB
Minimum Illumination	High sensitive mode OFF: 0.2 lx High sensitive mode ON: 0.02 lx Night mode ON: 0.003 lx (B/W)
White Balance	FAW, AWB, 3200K, 5600K, MANUAL
S/N Ratio	50dB
Pan Angle	±175°
Pan Speed	Max 480°/s (AC Adapter) Max 400°/s (PoE+ Power supply)
Tilt Angle	-30° to +90°
Tilt Speed	Max 300°/s (AC Adapter) Max 200°/s (PoE+ Power supply)
Preset Position	100 points
INTERFACE	
HD Video Output	SDI output (3G support: BNC x1), HDMI output x1
Audio Input	Ø 3.5mm mini jack x 1 (MIC: Balanced Mono/Imbalanced STEREO with Power) (LINE: Balanced Mono/Imbalanced STEREO)
LAN Terminal	RJ-45 x 1, PoE+: 42V to 57V Ethernet: 100BASE-TX, 1000BASE-T
RS-422	Serial Control (RJ-45)
RS-232C	Mini DIN 8pin (IN), Mini DIN 8pin (OUT)
USB	HOST x 1 (Network Connection)
Streaming	
Live Streaming Protocol	MPEG-2-TS/UDP, MPEG2-TS/RTP (SMPT 2022-1), RTSP/RTP, Zixi, RTMP
Video	MPEG-4/AVC H.264 1920x1080 (59.94p, 50p, 29.97p, 25p, 59.94i, 50i) 1280x720 (59.94p, 50p, 29.97p, 25p) 640x360 (29.97p, 25p) LiveView mode 640x360, 320x180
VIDEO/AUDIO RECORDING	
Recording Media	microSDHC/microSDXC memory card (Class 6/10)
Number of Slot	1 slot
Video Recording	Video codec: MPEG-4 AVC/H.264 File format: Quick Time HD (H.264) NTSC setting: 1920 x 1080/59.94p, 59.94i, 29.97p (50Mbps) 1920x1080/59.94i, 29.97p (35Mbps), 1280x720/59.94p (35Mbps) 1920x1080/59.94p (28Mbps) 1920x1080/59.94i, 29.97p (18Mbps), 1280x720/59.94p, 29.97p (18Mbps) 1920x1080/59.94i (5Mbps), 1280x720/29.97p (5Mbps) PAL setting: 1920x1080/50p, 50i, 25p (50Mbps) 1920x1080/50i, 25p (35Mbps), 1280x720/50p (35Mbps) 1920x1080/50p (28Mbps) 1920x1080/50i, 25p (18Mbps), 1280x720/50p, 25p (18Mbps) 1920x1080/50i (5Mbps), 1280x720/25p (5Mbps)
Audio Recording	LPCM 2ch, 48kHz/16-bit (MOV), µ-law 2ch (5Mbps)
SUPPLIED ACCESSORIES	
Direct ceiling mount bracket, Screws (M3), Screws (M2.6), Wireless remote control, AC adapter, Fall prevention wire, Template, Instruction manual	

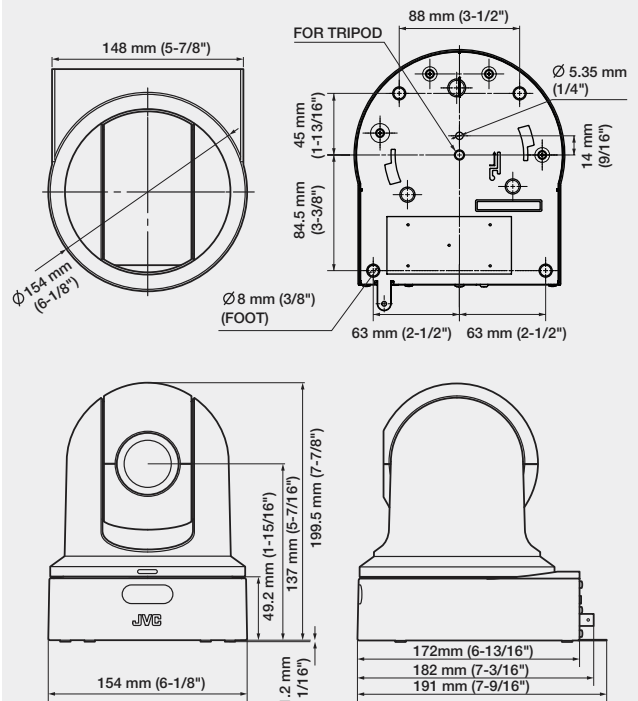


KY-PZ100B / PZ100W: Connectors and Dimensions

● Rear view



● Dimensions



RM-LP100: Specifications

GENERAL SPECIFICATIONS	
Power	DC12V (AC adapter)
Power Consumption	0.6A (AC adapter)
Dimensions	350 (W) x 110 (H) x 182 (D) mm
Weight	Approx. 2.1 kg
Operation Temperature	0°C to 40°C (32°F to 104°F)
Operating Humidity	20% to 90% (No dew)
CAMERA	
Supported Camera	KY-PZ100
IP Control	Max. 100 cameras
Preset Position	Max. 100 positions
Protocol	IPv4
LCD Touch Panel	Supported

Assignable Functions	
Rotary Switch F1/F2	WB R/B, AE level, Speed (PAN/TILT), Shutter, Gain, Iris, Focus, Detail
Control Lever	UP, DOWN/LEFT, Right, PAN/TILT
Control Lever F3	Zoom, Iris, Focus, No function
USER Button (USER1/USER2)	Exposure (AUTO/Shutter/Iris/MANUAL)
	White Balance (FAW/AWB/3200K/5600K/MANUAL)
	AWB TRIGGER, Focus (AUTO/MANUAL), Streaming, REC
INTERFACE	
Power Input	DC 12V (Exclusively Supplied AC adapter)
Tally	D-Sub 9pin Input/Output: 3pin/5pin, 4pin/4pin, 5pin/3pin, Variable
LAN Terminal	10BASE-T/100BASE-TX
SUPPLIED ACCESSORIES	
AC adapter, Wire clamp, Screw (M3), Instruction manual	

E.E. & O.E. Design and specifications are subject to change without notice.

All TV screen on LCD pictures are simulated. HDMI, the HDMI logo, and High-Definition Multimedia Interface are trademarks or registered trademarks of HDMI Licensing LLC in the United States and other countries. HDCP stands for High-bandwidth Digital Content Protection, a copy protection technology of high reliability licensed by Digital Content Protection, LLC. All brand or product names may be trademarks and/or registered trademarks of their respective owners. Any rights not expressly granted herein are reserved.

Copyright © 2016, JVCKENWOOD Corporation. All Rights Reserved.

JVCKENWOOD

DISTRIBUTED BY