



INTELLIGENT VIDEO DRIVING PROFIT

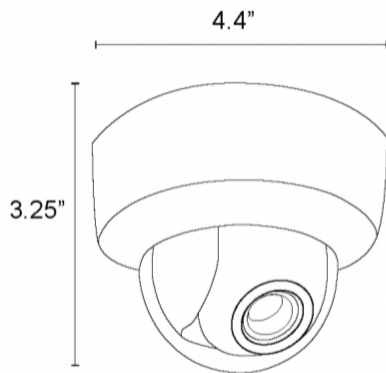


Ax67R4 3MP IR Fixed Lens Dome

i3's Ax67R4 megapixel IP camera features 3MP video resolution with 4mm built-in lens.

This new camera delivers triple streaming performance and supports H.264 and JPEG video compression. H.264 codec allows for faster and more efficient video transmission over the network. This dome camera comes with digital Wide Dynamic Range (WDR). Ax67R4 camera requires PoE power and comes with the Day/Night capability.

The Ax67R4 is very versatile and offers many practical functions ideal for both indoor and outdoor application, such as Smart IR. This moisture-, dust- and vandal-resistant camera is IP67-certified and IK09-compliant and comes in an aluminum casing, which makes it suitable for outdoor conditions and indoor installations. Corridor view is available for users that would like to view a hallway or a single store aisle.



Mounting Options

*Mounting hardware sold separately

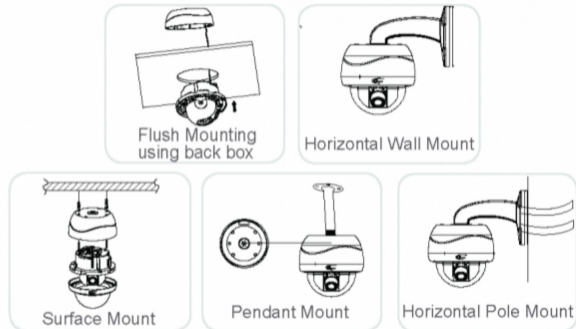


Image System	
Image Sensor	Progressive Scan CMOS 1/2.8
Signal System	NTSC / PAL
Optical System	
Iris Control	Auto Iris
Focal Length	4 mm
F-stop Range (F-number)	1.6
Horizontal FOV (Field of View)	68° (H) ~ 51° (V)
Day/Night	Mechanical ICR
Electric	
Digital Noise Reduction	3D
Wide Dynamic Range (WDR)	Digital WDR
Minimum Illumination	0.3 lux (Color mode), AGC=36dB, 50 IRE 0.1 lux (BW mode), AGC=36dB, 50 IRE 0 Lux w/ IR ON
Electric Shutter	NTSC: 1/30~1/10000 sec PAL: 1/25~1/10000 sec
Back Light Compensation (BLC)	Off / On (6 Area Selectable)
On-board (Edge) Storage	1 x microSD/SDHC/SDXC slot up to 64GB. Card sold separately
Alarm In/Out	N/A
Network Specifications	
Video Streaming and Compression Method	Triple Streaming H.264 / MJPEG
Maximum Framerate vs Resolution	3MP (2048x1536) @ 30fps/25fps
Network Protocols	IPv4, TCP/IP, UDP/IP, FTP, ICMP, ARP, DHCP, HTTP, SMTP, IGMP, RTSP, RTP, RTCP, SNMP
Security Access	Multiple privilege control with password protection
Users	1 Administrator, 5 Viewers/Operators

Other Features	
Other	Privacy Mask, Mirror Flip, Corridor View, Edge Defocus Detection, Edge Network Loss Detection, Smart IR
Mechanism	
Angle Adjustment	Pan: 360°, Tilt: 20° - 90°, Rotation: ±175°
Dimensions (Ø x H)	Ø112 mm x 82 mm (Ø4.4 in x 3¼ in)
Weight	approx. 460 g (1.01lb)
Connectors	Network: RJ45
IR Distance	25 m (82 ft)
Environment	
Operating Temperature	-20°C - 50°C (-4°F - 122°F)
Operating Humidity	90%, non-condensing
Power-On Temperature	-20°C
Regulations, Ratings	
Regulations, Ratings	FCC Class B, CE, RoHS, UL, IP67, IK09, ONVIF
Warranty	
Warranty	5 years parts and labor
Power Supply	
Power Requirement	IEEE 802.3af, Class 3
Power Consumption (max.)	PoE 8.5 W (max)

RELATED PRODUCTS

							
B7 B7 Back Box Mounting Base	B8 B8 T-Grip Mounting Clip	CP1K CP1K - Coupler Male 3/4" to Female 1.5"+ thread plumbing tape	DB60 DB60 Wallmount Goose Neck Bracket	DB60CPM DB60CPM Corner/Pole Mount Bracket	i3D704 i3D704 PTZ Wall Mount w/Junction Box	i3D705 i3D705 Pendant Pipe Mount w/Junction Box	i3D706 i3D706 Parapet Wall Mount



www.i3international.com
1.866.840.0004

Canada Head Office
780 Birchmount Rd, Unit 16,
Toronto, ON M1K 5H4

i3 America (Nevada) Inc.
4001 Cobb International
Boulevard, Kennesaw GA 30152