

ConteraCMR® Micro NVR Server

64TB Max Storage Cloud Managed Recorder with Dual NIC, and up to 96* Max Channel Count



AV Costar™ ConteraCMR® Micro NVR Server is a professional grade, feature rich, digital video recorder built on the Linux® OS embedded platform. Available in a short-depth 2.5U desktop or rack-mount chassis, the ConteraCMR Micro recorder supports third-party integration for access control systems and central station monitoring.

ConteraCMR recording solutions can be scaled from one camera to thousands allowing you the flexibility to meet the unique demands of

enterprise level IP installations. With features such as camera discovery protocols and central management software, the ConteraCMR Micro series makes it easy to deploy and administer an IP surveillance solution.

Whether installing an NVR at a single site or deploying a nationwide central monitoring solution, the ConteraCMR is the right choice for your IP video management needs.

Cloud Management

Cloud Video Export and Sharing

ConteraVMS® License Ready

Linux Standard OS

On-Board Storage Up to 64TB

SSD OS Drive

Dual Gigabit NICs

4 Storage Drive Capacity



Centralized User Management

ConteraWS® provides secure storage of all user profile information, allowing role-based management for hundreds of users and device permissions.



Health Monitoring

Cloud-based health monitoring ensures your cameras and recorders are working properly and minimum recording retention levels are being met.



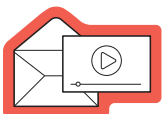
Alerts and Reports

ConteraWS grants insight into operational events at recorder locations and provides valuable business intelligence based on customer or employee activity.



Single Sign-on

Log into ConteraWS Web Services, ConteraVMS, and Arecont Vision Mobile using the same email address and password.



Clip Sharing

Export video clips to the cloud so they cannot be overwritten or lost. Share video clips via email with password protection.

Series Features

- Cloud Management with ConteraWS
- ConteraVMS Ready
- Cloud Video Export and Sharing
- 4 to 64TB Storage Capacity
- Up to 4 Storage Hard Disk Drives (HDDs)
- Linux OS (Optional Microsoft® Windows® OS Upgrade)**
- 32 Max Channel Count (Upgradeable to 64 or 96)*
- IP Channel Upgrades
- Solid State OS Drive (SSD)
- Intel® Core™ i3 Processor (Optional i5 or i7)
- Dual Gigabit NICs
- 3-Year Hardware Warranty
- 1-Year Advanced Replacement

* 33-64 channels requires AV-CPRFUPG64-CCDS; 65-96 channels requires AV-CPRFUPG96-CCDS.

** Microsoft Windows OS upgrade requires AV-CPRFUPG64-CCDS or AV-CPRFUPG96-CCDS performance upgrades.

Recorder Specifications

Model		AV-CCDSxT
Recording	Max IP Channels	32 (upgradeable to 64 or 96) ¹
	Max IPS Per Channel	30IPS (dependent on camera settings)
	Recording Resolutions	Up to 4K (dependent on camera settings)
	Recording Rate	300Mbps
	Maximum Display Resolution	4K (HDMI)
	Image Compression	H.264
Connections	Audio Channels	IP audio support
	Video Outputs	2 x HDMI ²
	Alarm Sensor Inputs	4 x Form A contacts
	Digital Relay Outputs	4 x Form A contacts
	USB Ports	Front: 2 x USB 3.0 ports Rear: 4 x USB 3.0 / 2 x USB 2.0 ports
Software	Operating System	Linux (Microsoft Windows optional) ³
	Video Signal Loss Detection	Yes
	Motion Detection	AV Costar camera side or ONVIF Profile S server side
	Remote Operation	ConteraVMS thick client / thin (web) client / mobile apps
	User Management	Web or local based user permissions and account management
	Recording Mode	Continuous / Motion / Continuous + Motion / Live Only
	Playback Search	Multi-channel playback / Calendar / Timeline / Thumbnail / Event (VMS and web client) / Object (VMS)
	Clip Backup	Cloud / Network / USB
	Digital Signature Support	MP4
	Web Connect	Yes

General

Network	Dual Gigabit NICs
Keyboard and Mouse	Included
Operating Temperature	Max temperature: 104°F (40°C)
OS Drive Configuration	Solid State Drive
Maximum Storage Configuration	Up to 64TB
Processor	Intel Core i3 (optional i5 or i7)
Rack Mount	Installation kit included
Warranty	3 Years, 1 year advanced replacement

Electrical

Input Voltage	250W (115V–230V auto switching)
Power Consumption	160W max

Compliance

IP Camera Support	AV Costar / ONVIF Profile S / RTSP
Certification	UL certified
CoO	Made in the USA

Mechanical

Dimensions <i>(See Dimensions)</i>	Unit	17.25" W (428mm) x 3.75" H (95.25mm) x 11.8" L (299.72mm)
	Packaged	22" W (558.8mm) x 8" H (203.2mm) x 22" L (558.8mm)
Weight	Unit	12.5lbs (5.7kg)
	Packaged	28lbs (12.7kg)

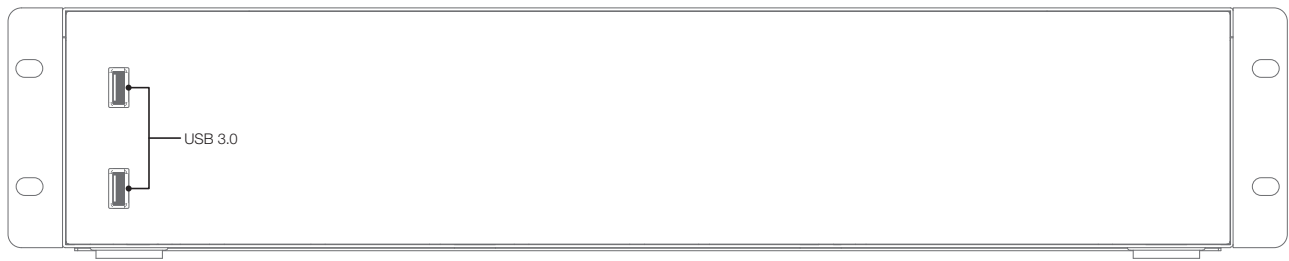
¹ 33-64 channels requires AV-CPRFUPG64-CCDS; 65-96 channels requires AV-CPRFUPG96-CCDS.

² Use of second HDMI port requires Windows OS.

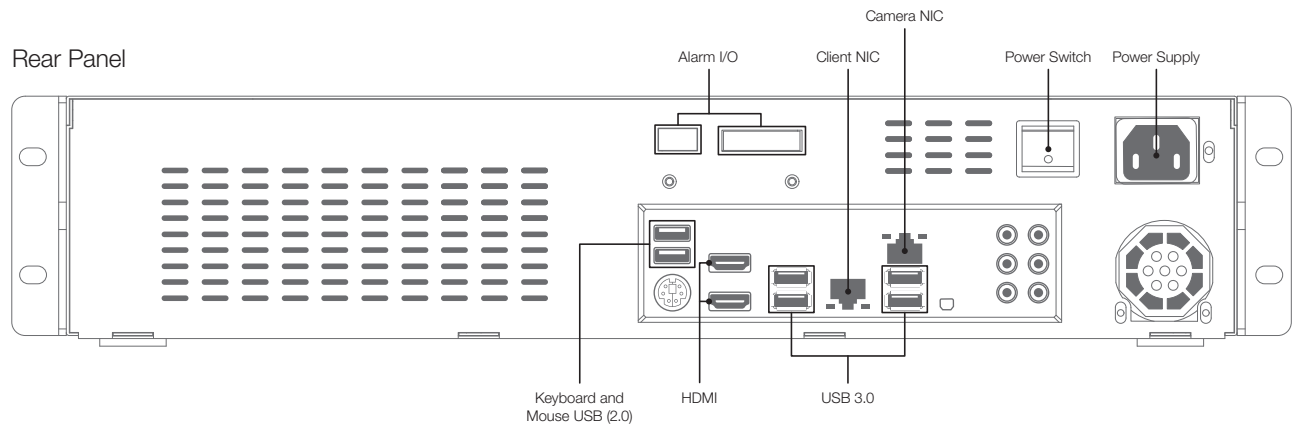
³ Microsoft Windows OS upgrade requires AV-CPRFUPG64-CCDS or AV-CPRFUPG96-CCDS performance upgrades.

Controls and Connections

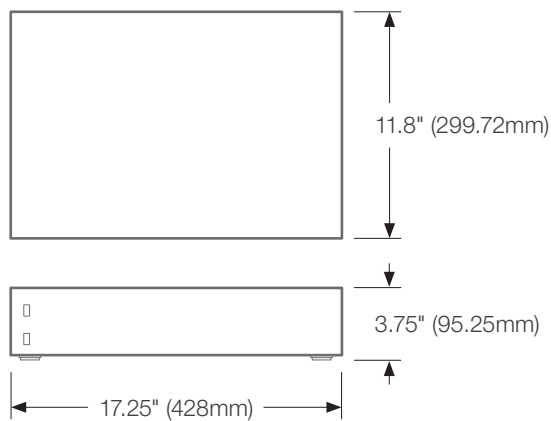
Front Panel



Rear Panel



Dimensions



See Next Page for Ordering Information



Configurations



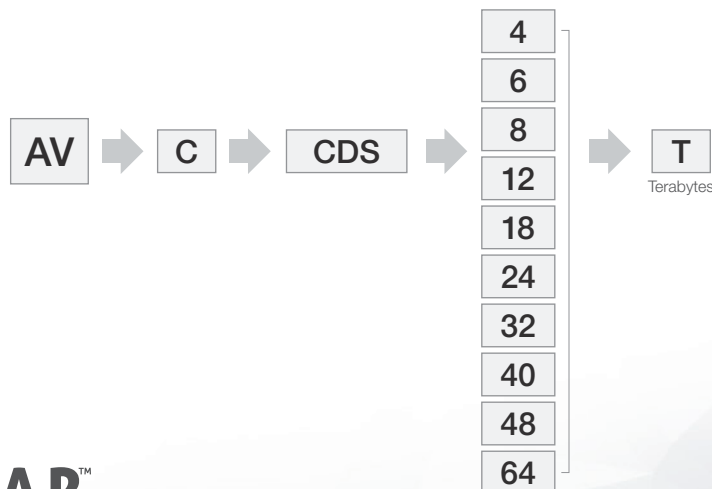
Standard

Model Numbers

Models	
	AV-CCDS4T
	AV-CCDS6T
	AV-CCDS8T
	AV-CCDS12T
	AV-CCDS18T
	AV-CCDS24T
	AV-CCDS32T
	AV-CCDS40T
	AV-CCDS48T
	AV-CCDS64T

Create Your Model (Example: AV-CCDS24T)

Contera Series Micro NVR Server Default Storage Storage Type



Software and Service Licenses

Part Number	Description
ConteraVMS	
ConteraVMS Software Licenses	
AV-CST1	ConteraVMS Standard 1 Channel Recording License
AV-CPM1	ConteraVMS Premium 1 Channel Recording License
AV-CPR1	ConteraVMS Professional 1 Channel Recording License
ConteraVMS Software Expansion Licenses	
AV-CST1-EXP	ConteraVMS Standard 1 Channel Expansion Recording License
AV-CPM1-EXP	ConteraVMS Premium 1 Channel Expansion Recording License
AV-CPR1-EXP	ConteraVMS Professional 1 Channel Expansion Recording License
ConteraVMS Software Upgrade Licenses	
AV-CSUBAPM	ConteraVMS Standard to Premium 1 Channel License Upgrade
AV-CSUPMPR	ConteraVMS Premium to Professional 1 Channel License Upgrade
ConteraWS	
ConteraWS (Web Services) Access License Including Software Updates	
AV-CWS1Y	ConteraWS 1 Year 1 Channel Access License
AV-CWS4Y	ConteraWS 4 Year 1 Channel Access License
AV-CWS5Y	ConteraWS 5 Year 1 Channel Access License
ConteraWS (Web Services) Cloud Storage Expansion	
AV-CWS1Y50GB	ConteraWS 50GB Cloud Storage Expansion (1 Year)

Factory Upgrades*

AV-CL2WUPG**	Linux to Windows OS Upgrade
AV-CPRFUPG64-CCDS	AV-CCDS 64 Channel Factory Performance Upgrade
AV-CPRFUPG96-CCDS	AV-CCDS 96 Channel Factory Performance Upgrade

* Factory upgrades must be ordered at the time of purchase
 ** Windows OS Upgrade requires AV-CPRFUPG64-CCDS or AV-CPRFUPG96-CCDS

