

WISENET

In-ceiling Housing

Installation Manual

SHD-1600FPW



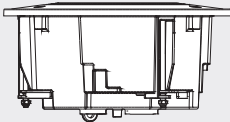


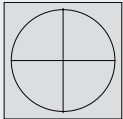

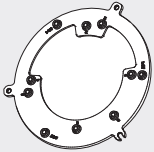

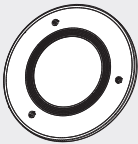
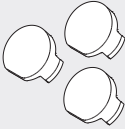
TABLE OF CONTENTS

Overview	3
What's Included	3
Installation Instructions	4
Installation	4

OVERVIEW

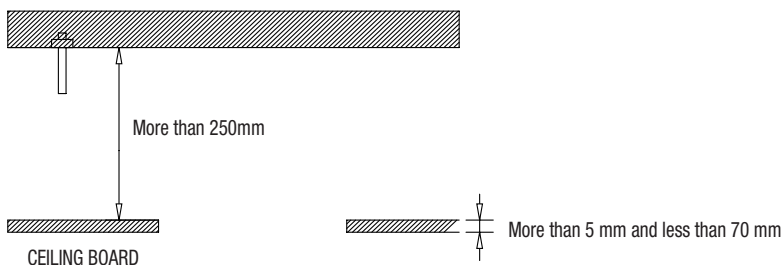
In-ceiling Housing is an adapter used to mount a smart dome camera in built-in style on a dropped ceiling.

WHAT'S INCLUDED

		
HOUSING	SAFETY BRACKET (1EA)	SAFETY WIRE (1SET)
		
TEMPLATE	SCREW : 6EA	CAMERA MOUNT BRACKET
		
INSTALLATION MANUAL	CASE TOP	SCREW CAP : 3EA

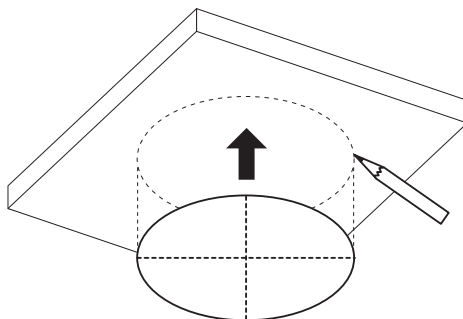
INSTALLATION INSTRUCTIONS

1. Select an installation position or place that can endure more than 5 times of the total weight of the installation structure.
2. At least 250mm or more of spare height is required above the CEILING BOARD.
3. Be sure to secure the SAFETY WIRE to avoid a product fall.
4. Use the provided screws to install the mount bracket and camera.

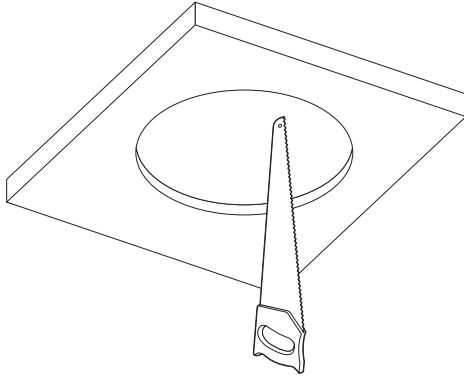


INSTALLATION

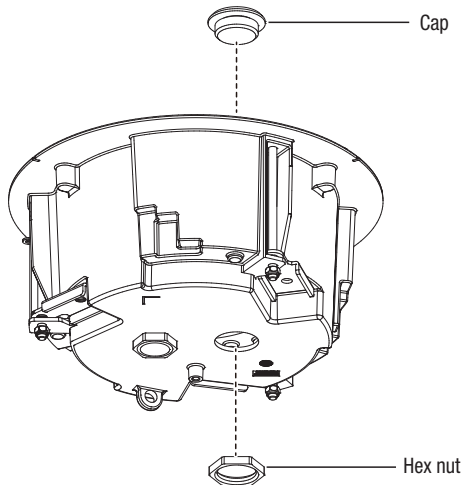
1. Attach the installation template to the ceiling and mark its location with a pencil.



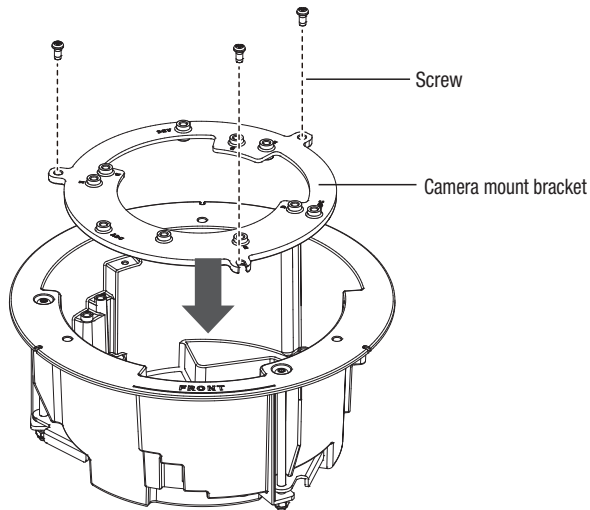
2. Attach the mount template to a surface you want and drill holes.



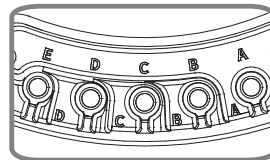
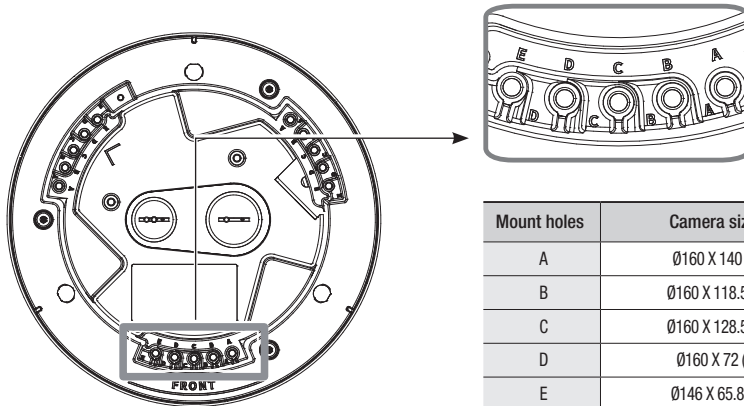
3. After checking the hole size to use, remove the cap and the hex nut.



4. Install the camera mount bracket in the housing.



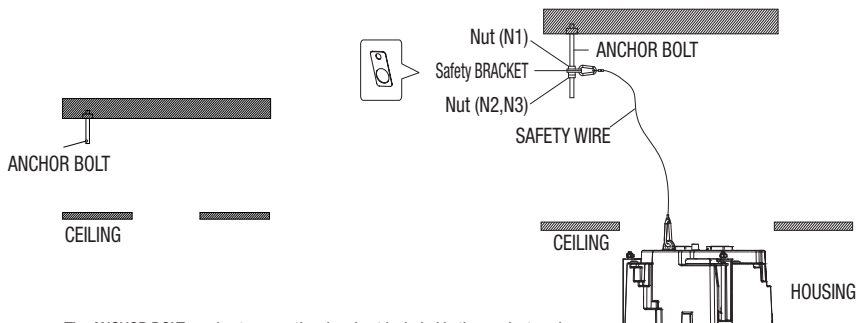
- When installing the camera mount bracket, make sure the guided holes in the housing are appropriate for the camera size.
- See the size guide table attached inside the product.



Mount holes	Camera size
A	Ø160 X 140 (H)
B	Ø160 X 118.5 (H)
C	Ø160 X 128.5 (H)
D	Ø160 X 72 (H)
E	Ø146 X 65.8 (H)

5. Fix the ANCHOR BOLT onto the concrete CEILING, and secure the SAFETY WIRE to the ANCHOR BOLT as below:

- ① Tighten the nut ("N1") on the ANCHOR BOLT.
- ② Insert the provided SAFETY BRACKET into the ANCHOR BOLT.
- ③ Tighten two nuts ("N2", "N3") onto the ANCHOR BOLT.
- ④ Hook and fix one end of the SAFETY WIRE onto the SAFETY BRACKET.
- ⑤ Hook and fix the other end of SAFETY WIRE onto the HOUSING as shown below.

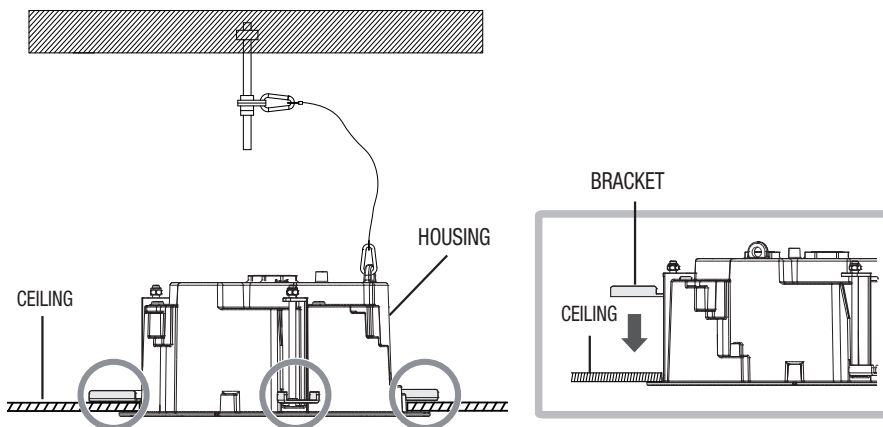


※ The ANCHOR BOLTS and nuts are optional and not included in the product package.

6. Push the HOUSING inside the CEILING through the CEILING hole, and tighten the SCREWS (x3) clockwise to fix the HOUSING on the CEILING.
(Adjust the height of the bracket to secure the housing to the ceiling.)



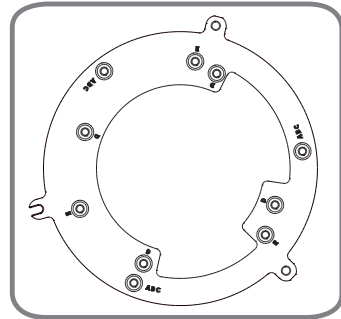
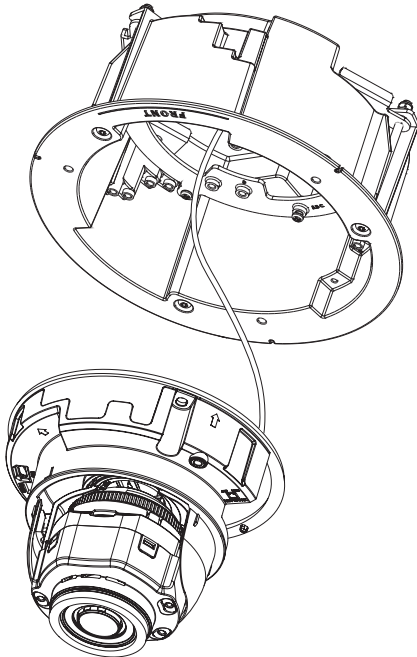
- Using a power tool for installation could cause product damage.
If you are going to use a power tool, the torque must be 30 Nm or less.
- Ensure that the HOUSING is firmly secured to the CEILING BOARD.



7. Connect the cable to the camera.



- Make sure the guided holes in the mount bracket are appropriate for the camera size.

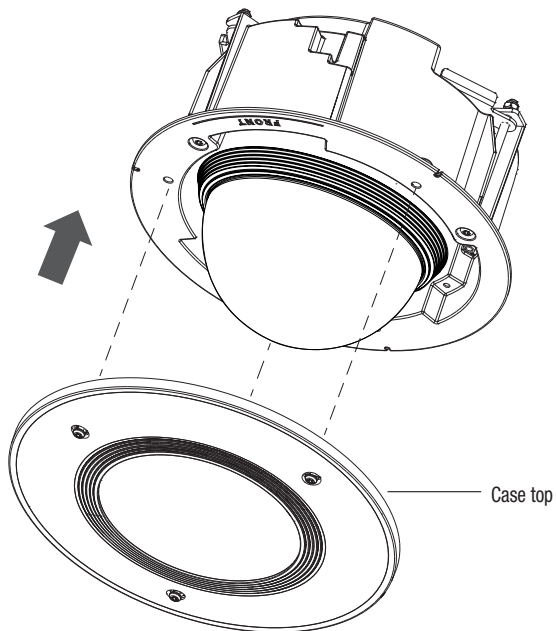


Mount holes	Camera size
A	Ø160 X 140 (H)
B	Ø160 X 118.5 (H)
C	Ø160 X 128.5 (H)
D	Ø160 X 72 (H)
E	Ø146 X 65.8 (H)

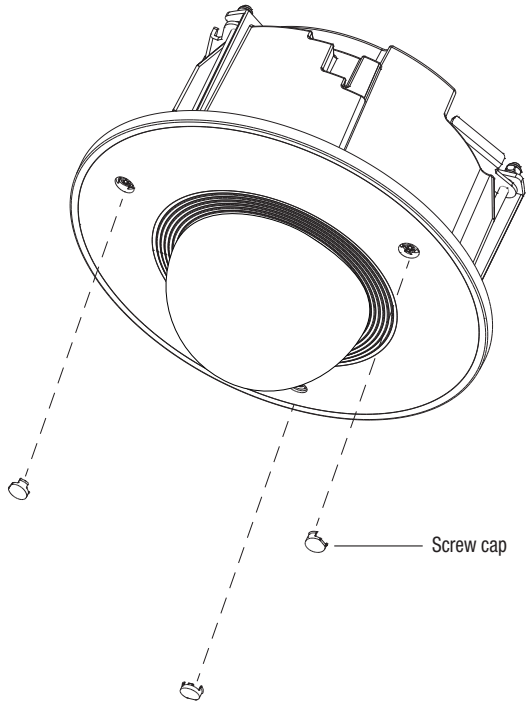
8. Mount the case top into the housing using screws.



- For products of size A and C, use the provided case top instead to assemble them.



9. Insert the screw caps into the case top.



Head Office

6, Pangyo-ro 319 beon-gil, Bundang-gu, Seongnam-si,
Gyeonggi-do, 463-400 Rep. of KOREA
Tel : +82.70.7147.8753 Fax : +82.31.8018.3740
www.hanwha-security.com

Hanwha Techwin America

500 Frank W. Burr Blvd. Suite 43 Teaneck, NJ 07666
Toll Free +1.877.213.1222 Direct +1.201.325.6920
Fax +1.201.373.0124
www.hanwha-security.com

Hanwha Techwin Europe

Heriot House, Heriot Road, Chertsey, Surrey, KT16 9DT, United Kingdom
Tel +44.1372.235663 Fax +44.1932.57.8101
www.hanwha-security.eu

Hanwha Techwin Vietnam Hanoi Office

28th Floor, Handico Building, Pham Hung Street, Me Tri ward,
Nam Tu Liem District, Hanoi City, Vietnam
Tel : +84.91.982.40.88
<http://hanwha-security.com>
