

## VISIX 5MP, Fixed 4mm Lens Outdoor Mini Bullet with IR and True WDR, IP67 rated

The VX-5M4-MB-IW is 5 Megapixel, indoor/outdoor, mini-bullet IP camera. This camera is IP67 Weather resistant, has 120dB WDR and built-in IR making the VX-5M4-MB-IW a versatile camera fitting most every entry-level indoor/outdoor installation requirements.

The VX-5M4-MB-IW is compatible with the entire VIGIL Software Suite, including direct access through VIGIL Client and our mobile app View Lite II, as well as with VIGIL Central Management for remote health monitoring and notification.

The VX-5M4-MB-IW also supports dual streaming. This combined with VIGIL Server's Substream Motion Detection and RapidStream technologies allows the camera to be viewed remotely in both live and playback modes with minimal impact on your network.



### Typical Use Cases



**K-12  
EDUCATION**



**WAREHOUSE &  
DISTRIBUTION**



**SMALL/MEDIUM  
BUSINESS**

### Key Features and Benefits

Lens	4mm Fixed
Resolution (Megapixels)	5
Infrared(Low-Light, No-Light)	✓
H.264/H.265/MJPEG	✓
Digital Wide Dynamic Range	✓
IP67 Weather-Resistant(Outdoor Camera)	✓
Max Resolution	2560x1440
4 Year Warranty	✓
Base Analytics	✓

### What's in the Box

Template Sheet  
Torx Wrench  
Waterproof Cap & Gasket  
Screws & Anchors

### Camera

Image Sensor	1/2.8" 5.14M CMOS (Sony Starvis)
Lens	4.0mm F2.0
Motorized?	No
Angle of View	D : 101°, H : 81°, V : 43°
Min Illum	0.06 Lux, 0Lux with IR (F2.0)
IR Range	50m
Shutter Time	1/30~ 1/32000
Day/Night	TDN (True Day & Night)
WDR	WDR - 120dB

### Compression Standard

Video Compression	H.264, H.265, MJPEG
Bit Rate	100Kbps ~ 10Mbps
Video Streams	2560x1440p30 + 480p30

### Image

Max Image Resolution	2560x1440
Frame Rate	30fps

### Functions

Base Analytics	Tamper Detection, Presence Filters (Advanced Motion), Object Tracker, Network Disconnection, Temperature Critical
Local Storage	Micro SD / SDHC / SDXC
SD Card Capacity	128GB
Security Protocols	HTTPS(SSL), IP filtering, 802.1x, Digest Authentication
System Compatibility	TCP/IP, UDP, AutoIP, RTP(UDP/TCP), RTSP, NTP, HTTP, HTTPS, SSL, DNS, DDNS, DHCP, FTP, SMTP, ICMP, SNMPv1/v2/v3(MIB-2), ONVIF CGI API, ONVIF (Profile S)

### Physical

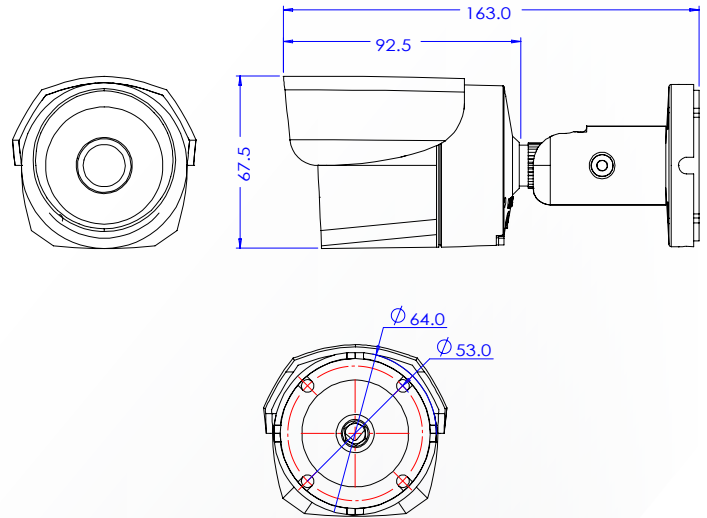
Operating Conditions	-30°C ~ 50°C (-22°F ~ 122°F)
Humidity	10~90% RH (non-condensing)
Weather Proof Rating	IP67
Housing Material	Aluminum
Window Material	PC 1811, 835
Dimensions (D x H)	163 mm x 67.5 mm
Weight	0.5kg

### Electrical

Power Supply	DC DC12V / POE IEEE 802.3af class2
Power Consumption	DC12V Max 6.2W PoE Max 7.9W

### Certifications and Compliance

FCC Part 15, Subpart B, Class A  
 CAN ICES-3 (A)/NMB-3(A)  
 UL and ULC Safety  
 CE  
 NDAA Compliant



### Interface

Communication	RJ45(10/100BASE-T)
---------------	--------------------

### Part Number

VX-5M4-MB-IW	Base Camera
VX-5M4-MB-IW-A	Add Advanced Analytics License *

### Warranty

Four (4) years

### Recommended Mounts

VX-POLE-BP07	Pole Mount
VX-JB-BJC07	Junction Box

\* NOTE: - A advanced analytics license can be added to a Base Camera at any time to unlock advanced analytics functionality. Speak to a 3xLOGIC Sales Associate for more info.