



FreeSpace FS2C In-ceiling Loudspeaker


Installation Guide	2	Monteringsveiledning	44
Guía de instalación	9	Instrukcja montażu	51
Notice d'installation	16	安装指南	58
Installationsanleitung	23	安装指南	65
Guida all'installazione	30	設置ガイド	72
Installatiehandleiding	37	79	دليل التركيب

Please read and keep all safety and use instructions.


This product is intended for installation by professional installers only! This document is intended to provide professional installers with basic installation and safety guidelines for this product in typical fixed-installation systems. Please read this document and all safety warnings before attempting installation.

Do not attempt to service this product yourself. Refer all servicing to authorized service centers, installers, technicians, dealers or distributors. To contact Bose Professional or to find a dealer or distributor near you, visit **PRO.BOSE.COM**.


1. Read these instructions.
2. Keep these instructions.
3. Heed all warnings.
4. Follow all instructions.
5. Do not use this apparatus near water.
6. Clean only with a dry cloth.
7. Do not block any ventilation openings. Install in accordance with the manufacturer's instructions.
8. Do not install near any heat sources such as radiators, heat registers, stoves, or other apparatus (including amplifiers) that produces heat.
9. Only use attachments/accessories specified by the manufacturer.



WARNINGS/CAUTIONS



This product contains magnetic material. Consult your physician on whether this might affect your implantable medical device.



Contains small parts which may be a choking hazard. Not suitable for children under age 3.


- This product is intended for indoor use only.
- All Bose products must be installed in accordance with local, state, federal and industry regulations. It is the installer's responsibility to ensure installation of the loudspeakers and mounting system is performed in accordance with all applicable codes, including local building codes and regulations. Consult the local authority having jurisdiction before installing this product.
- Unsafe mounting or overhead suspension of any heavy load can result in serious injury or death, and property damage. It is the installer's responsibility to evaluate the reliability of any mounting method used for their application. Only professional installers with the knowledge of proper hardware and safe mounting techniques should attempt to install any loudspeaker overhead.
- Do not mount the product in locations where it may be exposed to water or condensation.
- Do not expose this product to dripping or splashing, and do not place objects filled with liquids, such as vases, on or near the product.
- This product is not intended for installation or use in indoor water facility areas (including, without limitation, indoor pools, indoor water parks, hot tub rooms, saunas, steam rooms and indoor skating rinks).
- Do not mount on surfaces that are not sturdy, or that have hazards concealed behind them, such as electrical wiring or plumbing. Ensure the bracket is installed by a qualified professional installer and in accordance with local building codes.
- Use only the hardware and accessories included or specified by Bose for use with FreeSpace FS2C loudspeakers. For information on compatible accessories, see the product's technical data sheet at **PRO.BOSE.COM**.
- Keep the product away from fire and heat sources. Do not place naked flame sources, such as lighted candles, on or near the product.
- Do not make unauthorized alterations to this product.
- Do not expose loudspeaker or mounting components to any chemical substances that are not specified by Bose, including but not limited to lubricants, cleaning agents, contact sprays, or hydrocarbon-based solvents. Exposure to such substances can lead to degradation of the plastic material, resulting in cracking and creating a falling hazard.
- Clean speakers using only a dry cloth. Do not expose loudspeaker to soap, detergent, mineral oil, alcohol or other cleaning agents or chemicals.


Product Ratings:

Input Voltage: 70V/100V
 Impedance: 16 Ω, 16 W
 Current or Power: (70V): 1W, 2W, 4W, 8W, 16W; (100V): 2W, 4W, 8W, 16W

Regulatory Information

Do not paint or modify factory-applied finishes.


 This product conforms to all applicable EU directive requirements. The complete declaration of conformity can be found at: www.Bose.com/compliance.

 This symbol means the product must not be discarded as household waste, and should be delivered to an appropriate collection facility for recycling. Proper disposal and recycling helps protect natural resources, human health and the environment. For more information on disposal and recycling of this product, contact your local municipality, disposal service, or the shop where you bought this product.

China Restriction of Hazardous Substances Table

Names and Contents of Toxic or Hazardous Substances or Elements						
Toxic or Hazardous Substances and Elements						
Part Name	Lead (Pb)	Mercury (Hg)	Cadmium (Cd)	Hexavalent (CR(VI))	Polybrominated Biphenyl (PBB)	Polybrominated diphenylether (PBDE)
PCBs	X	0	0	0	0	0
Metal Parts	X	0	0	0	0	0
Plastic Parts	0	0	0	0	0	0
Speakers	X	0	0	0	0	0
Cables	X	0	0	0	0	0

This table is prepared in accordance with the provisions of SJ/T 11364.
 O: Indicates that this toxic or hazardous substance contained in all of the homogeneous materials for this part is below the limit requirement of GB/T 26572.
 X: Indicates that this toxic or hazardous substance contained in at least one of the homogeneous materials used for this part is above the limit requirement of GB/T 26572.



Taiwan Restriction of Hazardous Substances Table

Equipment name: FreeSpace FS2C, Type designation: 841154						
Restricted substances and its chemical symbols						
Unit	Lead (Pb)	Mercury (Hg)	Cadmium (Cd)	Hexavalent chromium (Cr+6)	Polybrominated biphenyls (PBB)	Polybrominated diphenyl ethers (PBDE)
PCBs	-	o	o	o	o	o
Metal Parts	-	o	o	o	o	o
Plastic Parts	o	o	o	o	o	o
Speakers	-	o	o	o	o	o
Cables	-	o	o	o	o	o

Note 1: "o" indicates that the percentage content of the restricted substance does not exceed the percentage of reference value of presence.
Note 2: The "-" indicates that the restricted substance corresponds to the exemption.

Date of Manufacture: The eighth digit in the serial number indicates the year of manufacture; "7" is 2007 or 2017.

China Importer: Bose Electronics (Shanghai) Company Limited, Part C, Plant 9, No. 353 North Riyang Road, China (Shanghai) Pilot Free Trade Zone

EU Importer: Bose Products B.V., Gorslaan 60, 1441 RG Purmerend, The Netherlands

Mexico Importer: Bose de México, S. de R.L. de C.V., Paseo de las Palmas 405-204, Lomas de Chapultepec, 11000 México, D.F. For importer & service information: +5255 (5202) 3545

Taiwan Importer: Bose Taiwan Branch, 9F-A1, No. 10, Section 3, Minsheng East Road, Taipei City 104, Taiwan. Phone Number: +886-2-2514 7676

Bose, DesignMax, and FreeSpace are trademarks of Bose Corporation.

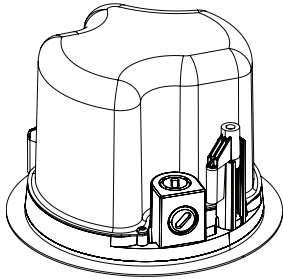
Bose Corporation Headquarters: 1-877-230-5639

©2020 Bose Corporation. No part of this work may be reproduced, modified, distributed or otherwise used without prior written permission.

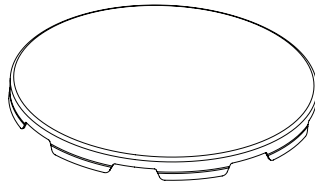
Warranty Information

This product is covered by a limited warranty. For warranty details, visit **PRO.BOSE.COM**.

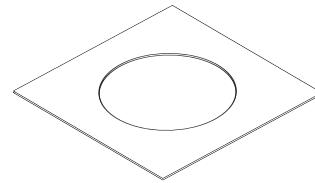
Package Contents



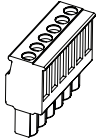
x2



x2

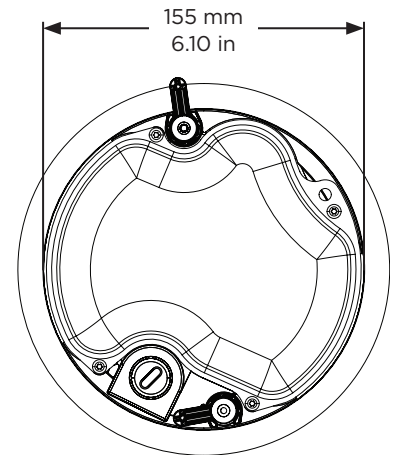
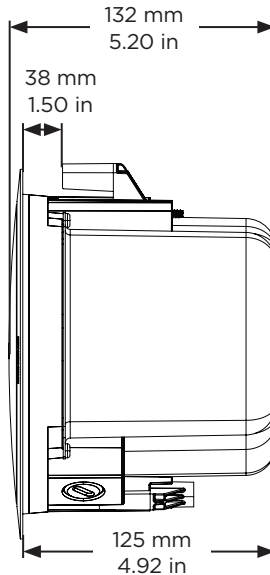
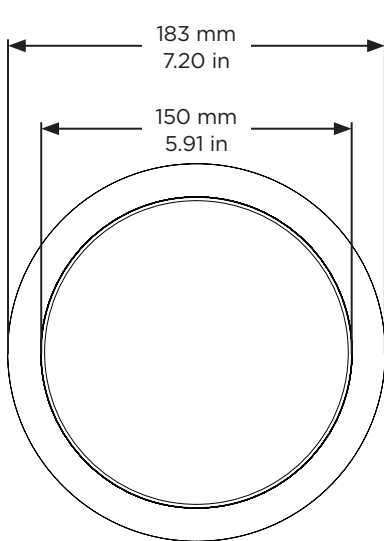


x1



x2

Product Dimensions



Technical Specifications

For additional specifications, see the FreeSpace FS2C technical data sheet at PRO.BOSE.COM. For EN 54-24 specifications (including required external EQ), see the FreeSpace FS2C EN 54-24 certified ratings (AM857600 Rev. 00) at PRO.BOSE.COM.

Physical	
Product Dimensions	Baffle diameter: 183 mm (7.20 in)
	Enclosure diameter: 155 mm (6.10 in)
	Backcan depth: 125 mm (4.92 in)
Hole cutout	165 mm (6.50 in)
Maximum Ceiling Thickness	38 mm (1.50 in)
Net Weight, Loudspeaker with grille (single)	1.63 kg (3.60 lb)
Shipping Weight (pair)	4.40 kg (9.70 lb)
Environmental	Indoor Only

Important Installation Information



Before installing the loudspeaker, review **Important Safety Instructions** on page 2.



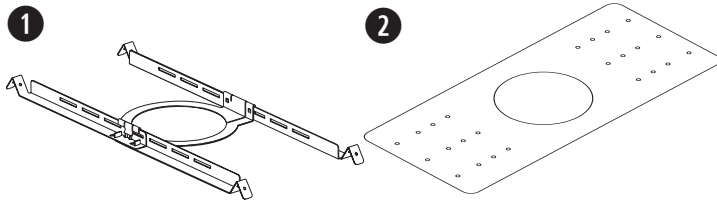
For **fire and evacuation notification applications**, environmental rated to IP21C per EN 54-24.

Installation Options

Installation Options and Accessories

One of the following is required for installation. See the related accessory installation guide at PRO.BOSE.COM for installation instructions.

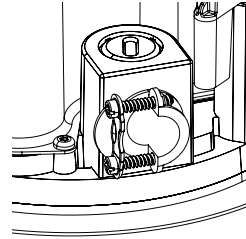
- ❶ Adjustable Tile Bridge (not included)
- ❷ Rough-in Pan (not included)



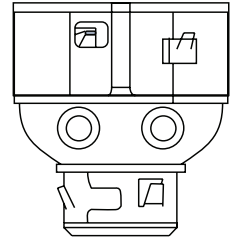
Conduit Fitting

If using a flexible metal conduit, use with a $\frac{3}{8}$ -inch conduit fitting or a $\frac{3}{8}$ -inch dual (duplex) connector.

Note: Conduit fittings are not provided.



$\frac{3}{8}$ -inch single in



$\frac{3}{8}$ -inch duplex in/loop

Choosing an Installation Method

❶ Top Knockout

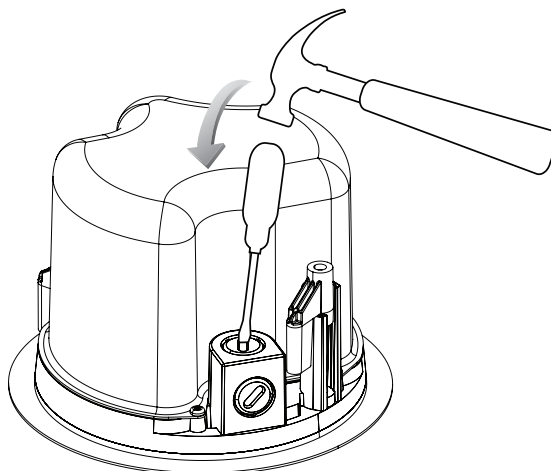
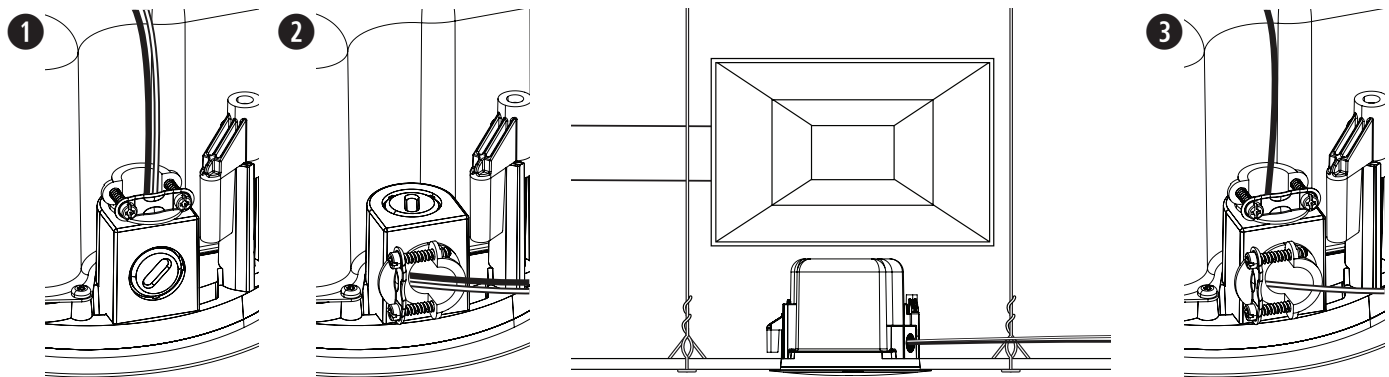
Use the top knockout when there is available space above the ceiling.

❷ Side Knockout

Use the side knockout when there is limited space above the ceiling.

❸ Both Knockouts

Use both knockouts when an independent signal-in and signal-out wiring scheme is required and there is available space above the ceiling.



Wiring the Loudspeaker

Wire Gauge

The FreeSpace FS2C loudspeaker is designed to work with 18 AWG (0.8 mm²) to 14 AWG (2.1 mm²) size wire only.

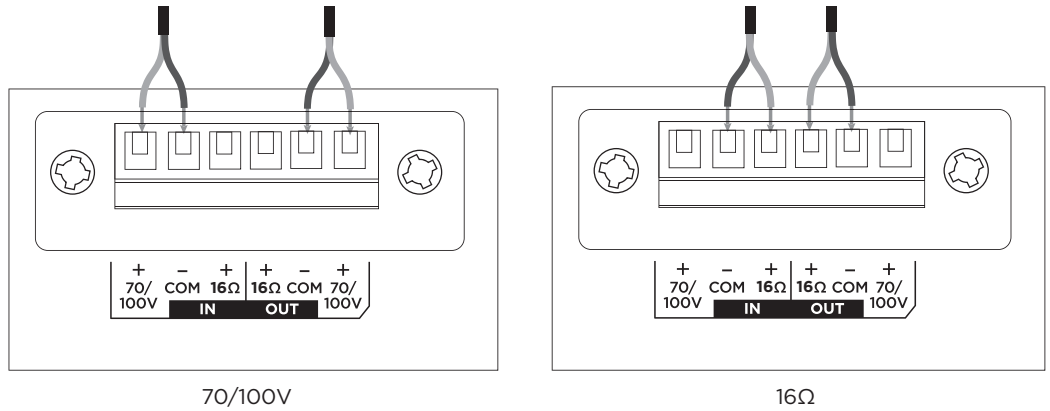
Connection Diagrams

Expose six millimeters (¼ inch) of bare wire to attach to the terminals.

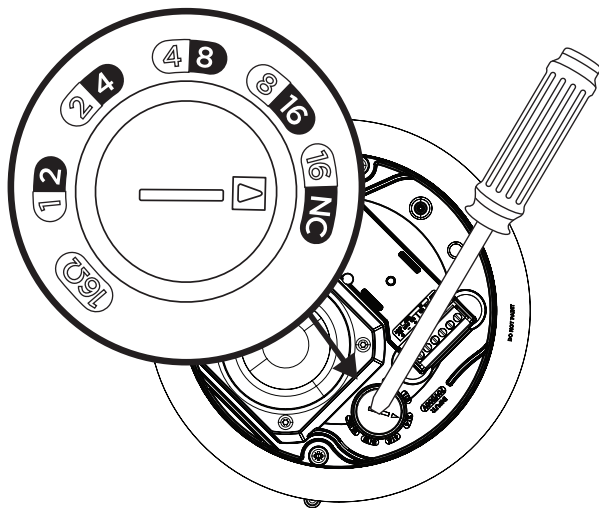
Note: Wiring method must be in accordance with:

In Canada, CSA C22.1, Canadian Electrical Code, Part I, Safety Standard for Electrical Installations, Section 32;

In the United States, The National Electrical Code, NFPA 70, and the National Fire Alarm and Signaling Code, NFPA 72.



Loudspeaker Settings



70V					
1W	2W	4W	8W	16W*	16Ω
2W	4W	8W	16W	NC**	
100V					

* Factory default

** NC: No Connection (do not use)

Transformer Tap Setting

Set tap by turning. Use a flat head screwdriver.

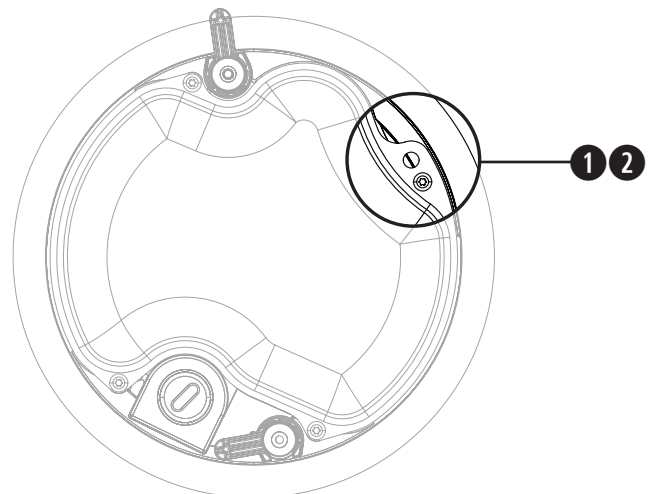
Preparing the Installation

Using a Safety Cable

Some regional construction codes require the use of a secondary method of securing loudspeakers to support structures to provide additional safety. Choose a mounting position, method, and hardware consistent with local building codes and regulations.

Bose recommends using (1) a safety wire or (2) a safety cable as a secondary securing mechanism. See the diagram to the right for safety attachment points.

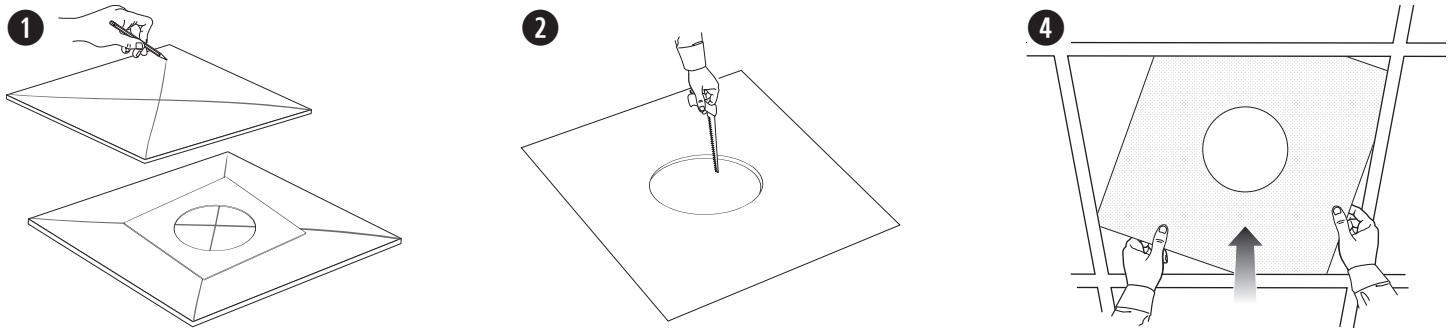
Follow the manufacturer's instructions for any secondary securing mechanism implemented.



Preparing a Tile Bridge Installation

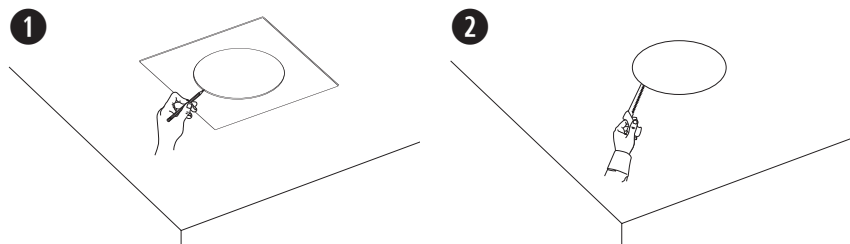
Ceiling Tile

1. Remove the tile and use the template to trace a loudspeaker hole onto the tile. To center the template on the tile, draw an X by connecting the corners diagonally and center the template using the crossing point.
2. Cut a hole into the tile.
3. Install the tile bridge. For instructions on installing a tile bridge, see the installation guide for the applicable tile bridge at PRO.BOSE.COM.
4. Replace the ceiling tile.



Hard Ceiling

1. Use the template to trace a hole onto the ceiling.
2. Cut a hole into the ceiling.
3. Install the tile bridge. For instructions on installing a tile bridge, see the installation guide for the applicable tile bridge at PRO.BOSE.COM.

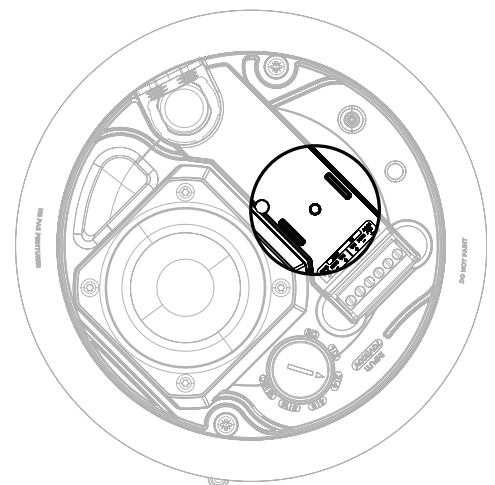


Installing in Hard Ceiling Using a Rough-in Pan (New Construction)

For information on installing a rough-in pan, see the DesignMax and FreeSpace Rough-in Pan installation guide at PRO.BOSE.COM. Once the rough-in pan is installed, see **Mounting the Loudspeaker** on page 7.

Ceramic Terminal Attachment Point

The FreeSpace FS2C is compatible with an optional ceramic terminal accessory. See the diagram for the location of the ceramic terminal attachment point. For more information on the ceramic terminal, see the ceramic terminal installation guide at PRO.BOSE.COM.

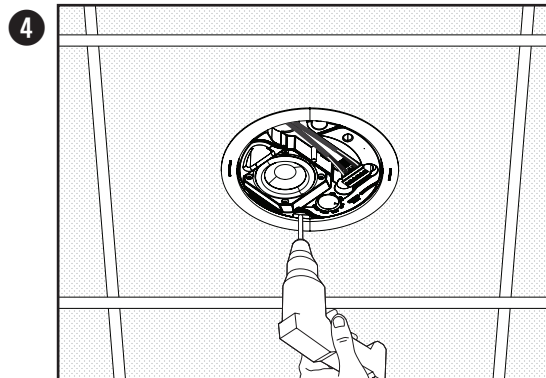
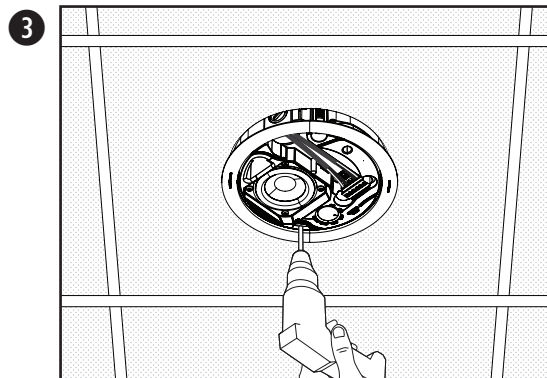
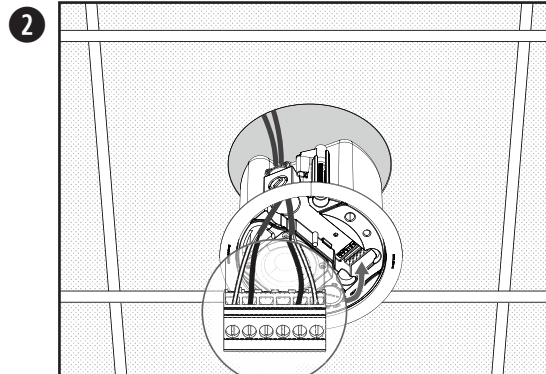
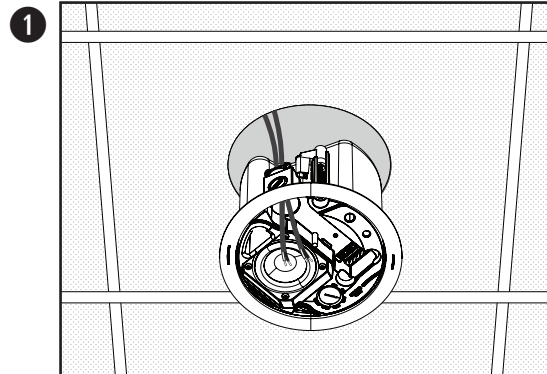


Mounting the Loudspeaker

1. Pass the audio wire through the wire opening.
2. Wire the connector and insert the connector into the loudspeaker. Tighten the conduit fitting if applicable. For wiring information, see **Wiring the Loudspeaker** on page 5.
3. Insert the loudspeaker through the hole and into the tile bridge or rough-in pan (see page 6) and turn (counterclockwise) the anchor arm screws one half turn to release the anchor arms. Slowly lower the loudspeaker until the anchor arms engage on the tile bridge or rough-in pan.
4. Tighten the anchor arm screws to secure the loudspeaker.



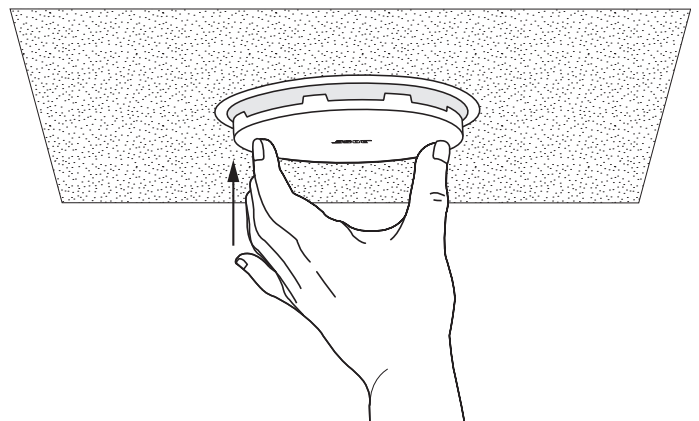
WARNING: Over-tightening or over-loosening the screws may result in damage to the anchor arms, the anchor attachment point, or the ceiling, which could lead to a falling hazard.



Attaching the Grille

Note: Before attaching the grille, adjust the loudspeaker tap settings to the appropriate setting for the installation. See **Loudspeaker Settings** on page 5.

After determining the logo alignment appropriate for the installation, line up the grille with the inside of the loudspeaker enclosure and push upward until it is secured into place. If necessary, push the grille tabs inward to properly fit into the loudspeaker enclosure.



Removing the Grille

Insert a small tool (no larger than 1.5 millimeters in diameter) through the grille perforation at the edge of the grille and pull to disengage the grille.



CAUTION: Do not use a screwdriver to pry the grille from the enclosure. This could result in damage to the loudspeaker.

Safety and Regulatory Compliance

The Bose FreeSpace FS2C loudspeaker has passed testing and complies with the following specifications and uses:

Listed to ANSI/UL 1480-2016, CAN/ULC-S541

Fire Protective Signaling Use - UL Category UUMW/UUMW7, File Number S 3241. Control Number 42S9.
Not for use with DC-supervised systems.

Suitable for use indoors in dry locations.

EN 54-24: 2008, Loudspeaker for Voice Alarm Systems for Fire Detection and Fire Alarm Systems for Buildings

Environmental: Type A (indoor applications)

Suitable for installation using Class 1, Class 2, or Class 3 wiring methods in accordance with NFPA 70, National Electric Code, 2002, Article 640.

Suitable for use with fire alarm circuit wiring methods in accordance with NFPA 70, National Electric Code, 2002, Article 760

Suitable for use in air handling plenum spaces.

UL-2043, Fire Test and Visible Smoke Release for Discrete Products and their Accessories Installed in Air Handling Spaces.

NFPA 70, National Electric Code, 2002, Article 300-22 (c).

NFPA 90-A, 2002, Installation of Air Conditioning and Ventilation Systems, Paragraph 4.3.10.2.6.5.

EMC Directive 89/336/EEC and Article 10 (1) of the directive, EN50081-1 and EN50082-1 as signified by the CE mark.

The FreeSpace FS2C loudspeaker has been designed to the requirements defined in the following European regulatory specification for combination systems:

British Standard Code of Practice BS 5839, Part 8, when used with the ceramic terminal block and thermal fuse.

Tested to IEC60268-5.

Nominal Coverage Angle (per UL 1480) Vertical: 145°/25° at -3 dB; 170°/5° at -6 dB
Horizontal: 140°/20° at -3 dB; 170°/5° at -6 dB


UL Sensitivity Wattage Tap Sound Pressure Level dBA at 3.1 meters (10 feet):

Wattage Tap	CAN/ULC-S541 Canada		Wattage Tap	ANSI/UL 1480-2016 United States	
	70 V	100 V		70 V	100 V
1 W	77.3 dBA	—	1 W	71.9 dBA	—
2 W	80.0 dBA	79.8 dBA	2 W	74.5 dBA	74.9 dBA
4 W	82.4 dBA	82.6 dBA	4 W	77.2 dBA	77.5 dBA
8 W	84.8 dBA	84.6 dBA	8 W	79.8 dBA	79.9 dBA
16 W	86.7 dBA	86.3 dBA	16 W	82.1 dBA	82.2 dBA
16 Ω	86.0 dBA	—	16 Ω	82.6 dBA	—

SPLs given are per the UL 1480 specified reporting method.

Frequency response:

Fire alarm (UL): 95 Hz to 17000 Hz

 2531
Bose Corporation 100 The Mountain Rd, Framingham, MA 01701 20 DOP 434849-6
EN 54-24: 2008 Loudspeaker for voice alarm systems for fire detection and fire alarm systems for buildings FreeSpace FS2C Provided options: Type A For DOP 434849-6, see pro.bose.com/FS2CDOP_UK

Lea y conserve todas las instrucciones de uso y seguridad.

Este producto está diseñado para ser instalado únicamente por instaladores profesionales. Este documento está diseñado para proveer las pautas de seguridad e instalación básicas a los instaladores profesionales de este producto en sistemas de instalación fija comunes. Lea este documento y todas las advertencias de seguridad antes de comenzar la instalación.

No intente reparar este producto por su cuenta. Remita todas las reparaciones a centros de servicio, instaladores, técnicos o distribuidores autorizados. Para comunicarse con Bose Professional o para encontrar un distribuidor cerca de usted, visite **PRO.BOSE.COM**.

1. Lea estas instrucciones.
2. Guarde estas instrucciones.
3. Preste atención a las advertencias.
4. Siga todas las instrucciones.
5. No use este aparato cerca del agua.
6. Límpielo solamente con un paño seco.
7. No obstruya ninguna abertura de ventilación. Realice la instalación conforme a las instrucciones del fabricante.
8. No lo instale cerca de una fuente de calor, como radiadores, rejillas de calefacción, estufas u otros aparatos (incluidos los amplificadores) que produzcan calor.
9. Utilice solamente los accesorios especificados por el fabricante.

**ADVERTENCIAS/PRECAUCIONES**

Este producto contiene materiales magnéticos. Consulte con su médico si esto podría llegar a afectar un dispositivo médico implantado.



Contiene piezas pequeñas que pueden provocar asfixia. No recomendable para niños menores de 3 años.

- Este producto está destinado solo para uso en áreas interiores.
- Todos los productos Bose deben instalarse conforme a las leyes locales, estatales, federales y del sector. Es responsabilidad del instalador garantizar que la instalación del sistema de soporte y los altavoces se realice conforme a los códigos aplicables, incluidos los códigos y las reglamentaciones de construcción locales. Consulte a la autoridad local competente antes de instalar este producto.
- El montaje inseguro o la suspensión en altura de cualquier carga pesada pueden provocar lesiones graves o la muerte, además de daños a la propiedad. Es responsabilidad del instalador evaluar la confiabilidad de cualquier método de montaje utilizado para su aplicación. Únicamente los instaladores profesionales con conocimiento de las herramientas adecuadas y las técnicas de montaje seguro deberían intentar instalar cualquier altavoz en altura.
- No monte el producto en lugares donde pueda estar expuesto al agua o a la condensación.
- No esponga el producto a goteos o salpicaduras, y no coloque encima ni cerca del producto objetos llenos de líquido, como floreros.
- Este producto no está diseñado para ser instalado ni utilizado en zonas de instalaciones acuáticas en interiores (incluidos, entre otros, piscinas techadas, parques acuáticos techados, jacuzzis, saunas, salas de vapor y pistas de patinaje techadas).
- Monte únicamente en superficies que sean resistentes o que no presenten peligros ocultos, como cableado eléctrico o plomería. Asegúrese de que un instalador profesional calificado instale el soporte y que lo haga de acuerdo con los códigos de construcción locales.
- Utilice solo el hardware y los accesorios incluidos, o bien los que Bose especifica como aptos para los altavoces FreeSpace FS2C. Para obtener información sobre los accesorios compatibles, consulte la hoja de datos técnicos del producto en **PRO.BOSE.COM**.
- Mantenga el producto lejos del fuego y de fuentes de calor. No coloque sobre el producto, o en su proximidad, fuentes de llamas sin protección; por ejemplo, velas encendidas.
- No realice alteraciones no autorizadas a este producto.
- No esponga el altavoz ni los componentes de montaje a sustancias químicas que no hayan sido especificadas por Bose, incluidos, entre otros, lubricantes, productos de limpieza, aerosoles de contacto o disolventes a base de hidrocarburos. La exposición a estas sustancias puede degradar el plástico, lo que produce grietas y el riesgo de que se caiga el dispositivo.
- Limpie los altavoces solo con un paño seco. No esponga los altavoces a detergentes, aceite mineral, alcohol ni otros agentes o químicos de limpieza.

Información normativa**No pinte ni modifique los acabados aplicados en fábrica.**

Este producto cumple con todos los requisitos correspondientes de la Directiva de la UE. La declaración de conformidad completa se puede encontrar en: **www.Bose.com/compliance**.



Este símbolo indica que el producto no se debe desechar como residuo doméstico y se debe enviar a una planta para tratamiento de residuos apropiada para su reciclado. Una eliminación y un reciclado adecuados ayudan a proteger los recursos naturales, la salud humana y el medioambiente. Para obtener más información acerca de la eliminación y el reciclado de este producto, comuníquese con su municipalidad local, un centro de servicios de desecho o la tienda donde compró este producto.

Fecha de fabricación: el octavo dígito del número de serie indica el año de fabricación; p. ej., "7" es 2007 o 2017.

Importador para China: Bose Electronics (Shanghái) Company Limited, Part C, Plant 9, N° 353 North Riyang Road, China (Shanghái), Zona franca piloto

Importador para la UE: Bose Products B.V., Gorslaan 60, 1441 RG Purmerend, Países Bajos

Importador para México: Bose de México, S. de R.L. de C.V., Paseo de las Palmas 405-204, Lomas de Chapultepec, 11000 México, D.F. Para obtener información sobre el servicio y el importador, comuníquese al: +5255 (5202) 3545

Importador para Taiwán: Bose Taiwan Branch, 9F-A1, N° 10, Section 3, Minsheng East Road, Taipei City 104, Taiwán. Número telefónico: +886-2-2514 7676

Bose, DesignMax y FreeSpace son marcas comerciales de Bose Corporation.

Oficinas centrales de Bose Corporation: 1-877-230-5639

©2020 Bose Corporation. Ninguna parte de este trabajo podrá reproducirse, modificarse, distribuirse ni usarse sin un permiso previo por escrito.

Información de la garantía

Este producto está cubierto con una garantía limitada.
Para ver los detalles de la garantía, visite **PRO.BOSE.COM**.

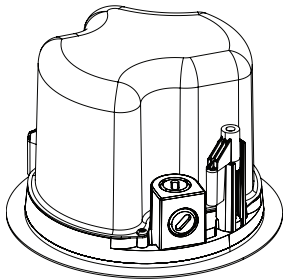
Especificaciones del producto:

Voltaje de entrada: 70 V/100 V

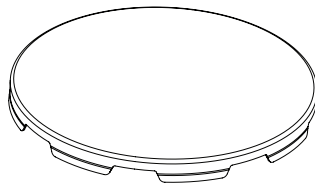
Impedancia: 16 Ω, 16 W

Opciones de potencia de salida: (70 V): 1 W, 2 W, 4 W, 8 W, 16 W; (100 V): 2 W, 4 W, 8 W, 16 W

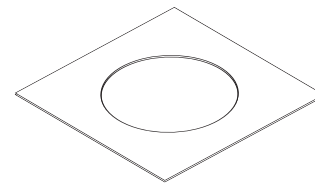
Contenido de la caja



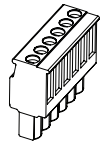
x 2



x 2

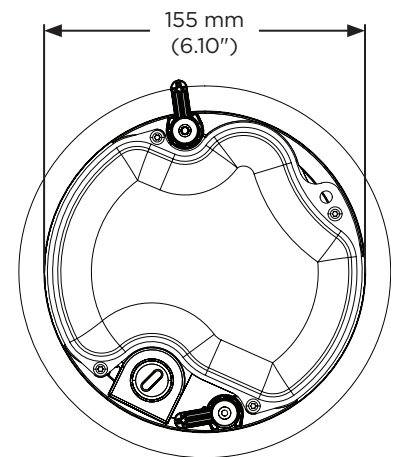
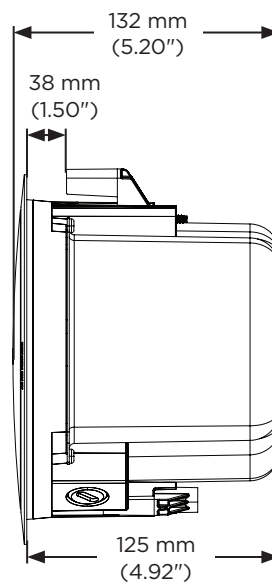
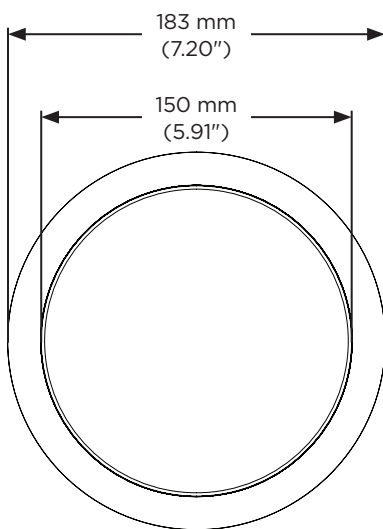


x 1



x 2

Dimensiones del producto



Especificaciones técnicas

Para conocer más especificaciones, consulte la hoja de datos técnicos de FreeSpace FS2C en PRO.BOSE.COM. Para conocer las especificaciones de EN 54-24 (incluido el ecualizador externo), consulte las calificaciones de certificaciones de FreeSpace FS2C EN 54-24 (AM857600 Rev. 00) en PRO.BOSE.COM.

Datos físicos	
Dimensiones del producto	Diámetro del baffle: 183 mm (7.20")
	Diámetro de la carcasa: 155 mm (6.10")
	Profundidad de la carcasa posterior: 125 mm (4.92")
Medida de calado/perforación	165 mm (6.50")
Grosor máximo del techo	38 mm (1.50")
Peso neto, altavoz con rejilla (individual)	1.63 kg (3.60 lb)
Peso de envío (par)	4.40 kg (9.70 lb)
Ambiente de uso	Únicamente para áreas interiores

Información importante sobre la instalación



Antes de instalar el altavoz, revise las **Instrucciones importantes de seguridad** en la página 9.



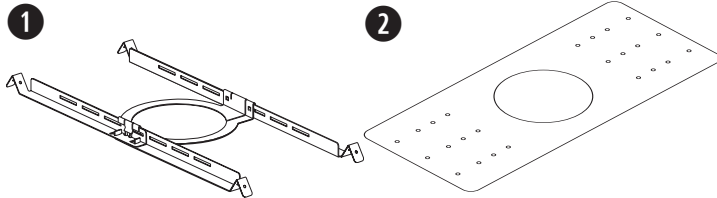
Para **aplicaciones de notificación en caso de incendio y evacuación**, cuenta con clasificación de ambiente de uso IP21C según EN 54-24.

Opciones de instalación

Opciones y accesorios de instalación

Se requiere contar con una de las siguientes opciones para realizar la instalación. Consulte la guía de instalación de accesorios relacionada en PRO.BOSE.COM para obtener las instrucciones de instalación.

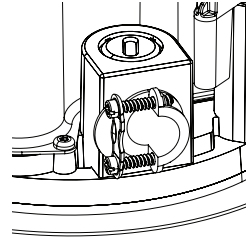
- 1 Puente de mosaico ajustable (no incluido)
- 2 Bandeja empotrada (no incluida)



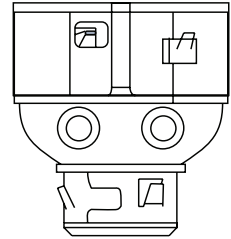
Accesorios de conductos

Si utiliza un conducto metálico flexible, hágalo con un accesorio de conducto de $\frac{3}{8}$ " o un conector doble (dúplex) de $\frac{3}{8}$ ".

Nota: No se proporcionan los accesorios de conducto.



Entrada única de $\frac{3}{8}$ "



Entrada dúplex/loop de $\frac{3}{8}$ "

Selección de un método de instalación

1 Troquel superior

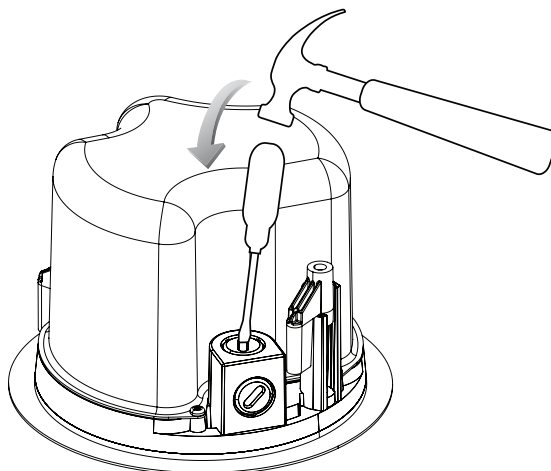
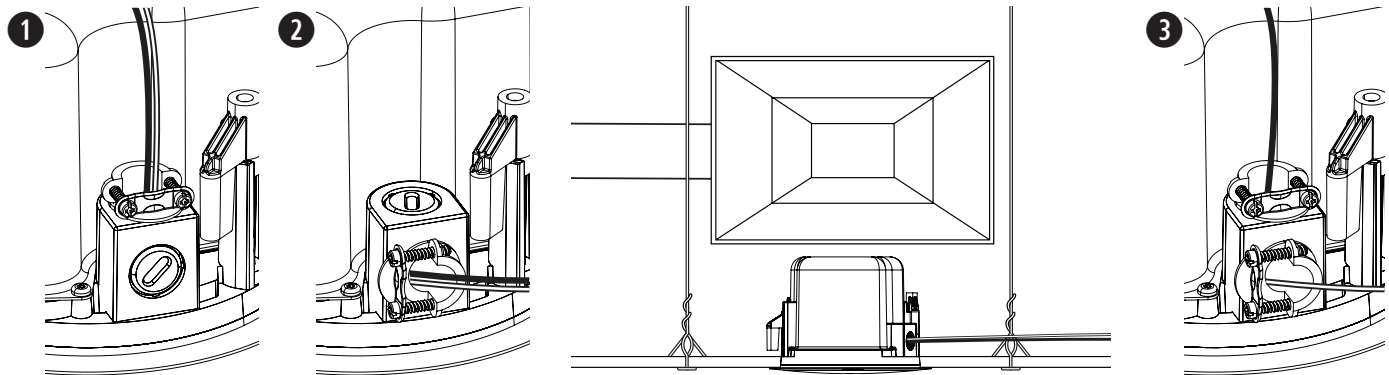
Utilice el troquel superior cuando haya espacio disponible sobre el techo.

2 Troquel lateral

Utilice el troquel lateral cuando haya espacio limitado sobre el techo.

3 Ambos troqueles

Utilice ambos troqueles cuando se necesite un esquema de cableado de entrada y salida de señal independiente y haya espacio disponible sobre el techo.



Cableado de los altavoces

Calibre de cable

El altavoz FreeSpace FS2C está diseñado para funcionar únicamente con cables que midan de 18 AWG (0.8 mm²) a 14 AWG (2.1 mm²).

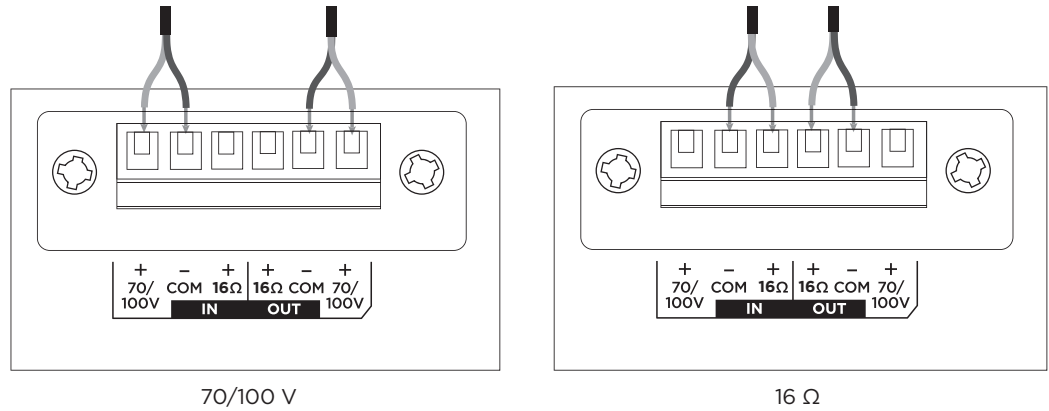
Diagramas de conexión

Exponga 6 mm (¼") de cable sin aislación para conectarlo a los terminales.

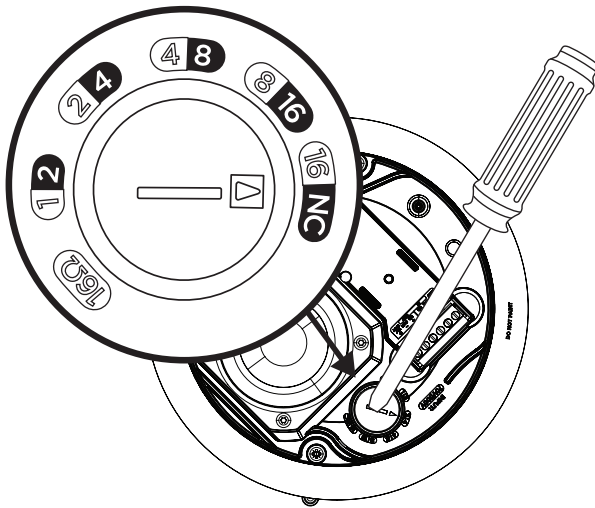
Nota: El método de cableado debe cumplir con los siguientes códigos:

En Canadá, CSA C22.1, el Código Canadiense de Normas de Electricidad, Parte I, Estándar de Seguridad para Instalaciones Eléctricas, Sección 32.

En Estados Unidos, el Código Eléctrico Nacional, NFPA 70, y el Código Nacional de Alarma de Incendio y Señalización, NFPA 72.



Configuración del altavoz



70 V					
1 W	2 W	4 W	8 W	16 W*	16 Ω
2 W	4 W	8 W	16 W	NC**	
100 V					

* Predeterminado de fábrica

** NC: Sin conexión (no utilizar)

Configuración de la toma del transformador

Gire la toma para establecer la configuración. Utilice un destornillador de cabeza plana.

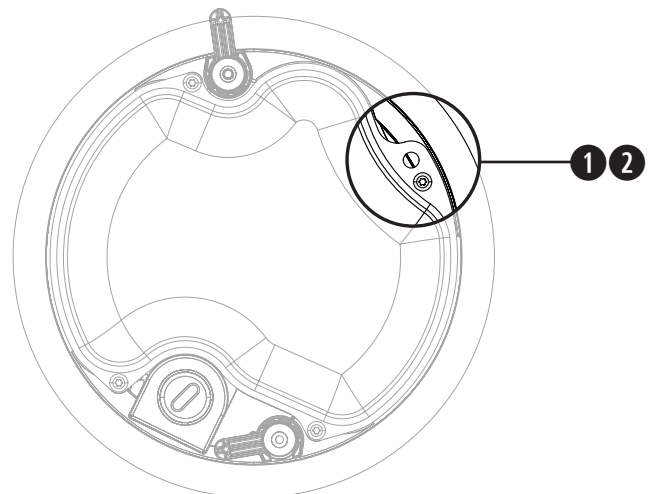
Preparación de la instalación

Uso de un cable de seguridad

En algunos códigos regionales de construcción se exige el uso de un método secundario de fijación de los altavoces a estructuras de apoyo con el propósito de brindar mayor seguridad. Elija una posición de montaje, un método y los componentes que cumplan con los códigos y los reglamentos locales de construcción.

Bose recomienda utilizar un alambre de seguridad (1) o un cable de seguridad (2) como mecanismo secundario de fijación. Consulte el diagrama situado a la derecha para conocer los puntos de fijación de seguridad.

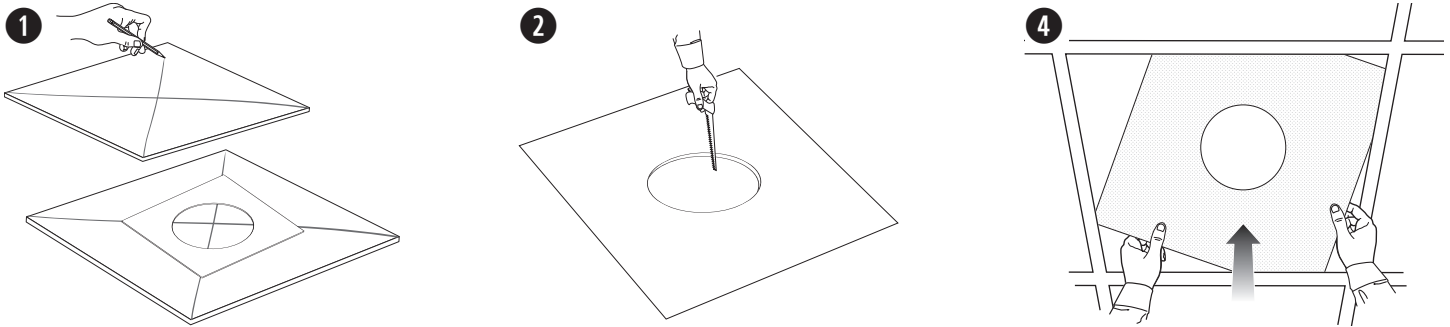
Siga las instrucciones del fabricante en la instalación de cualquier mecanismo de fijación secundario que desee implementar.



Preparación de la instalación de un puente de mosaico

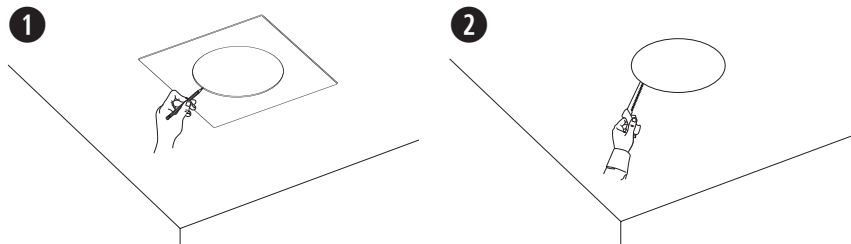
Mosaico del techo

1. Retire el mosaico y utilice la plantilla para marcar un orificio para el altavoz en el mosaico. Para centrar la plantilla sobre el mosaico, conecte las esquinas diagonalmente dibujando una X, luego alinee la plantilla utilizando el punto de cruce.
2. Haga un orificio en el mosaico.
3. Instale el puente de mosaico. Para obtener instrucciones sobre la instalación de un puente de mosaico, consulte la guía de instalación del puente de mosaico correspondiente en **PRO.BOSE.COM**.
4. Reemplace el mosaico del techo.



Techos duros

1. Utilice la plantilla para marcar el orificio en el techo.
2. Haga un orificio en el techo.
3. Instale el puente de mosaico. Para obtener instrucciones sobre la instalación de un puente de mosaico, consulte la guía de instalación del puente de mosaico correspondiente en **PRO.BOSE.COM**.



Instalación en techos duros con una bandeja empotrada (construcción nueva)

Para obtener información sobre la instalación de una bandeja empotrada, consulte la guía de instalación de la bandeja empotrada de DesignMax y FreeSpace en **PRO.BOSE.COM**. Cuando la bandeja empotrada esté instalada, consulte **Montaje del altavoz** en la página 14.

Punto de sujeción del terminal de cerámica

El FreeSpace FS2C es compatible con un terminal de cerámica opcional. Consulte el diagrama para conocer la ubicación del punto de sujeción del terminal de cerámica. Para obtener más información sobre el terminal de cerámica, consulte la guía de instalación del terminal de cerámica en **PRO.BOSE.COM**.

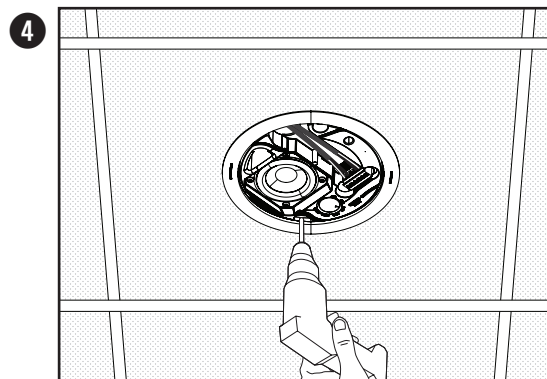
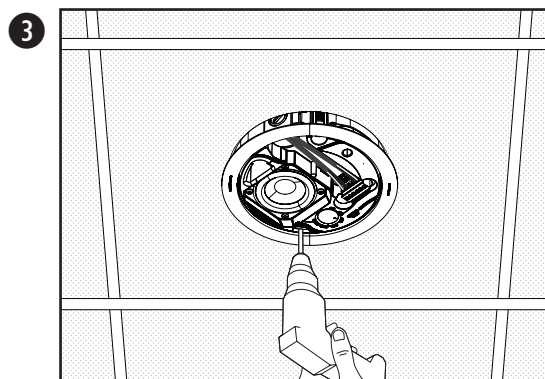
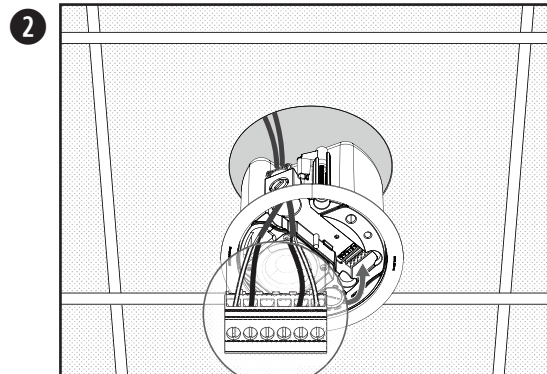
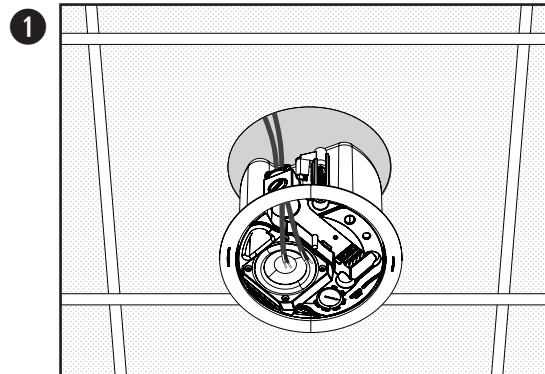


Montaje del altavoz

1. Pase el cable de audio a través de la apertura para cables.
2. Realice el cableado del conector e insértelo en el altavoz. Fije al accesorio de conducto, si corresponde. Para obtener información sobre el cableado, consulte **Cableado de los altavoces** en la página 12.
3. Inserte el altavoz a través del orificio y en el puente de mosaico o en la bandeja empotrada (consulte la página 13) y gire (orientación hacia la izquierda) los tornillos del brazo de anclaje media vuelta para soltar los brazos de anclaje. Baje lentamente el altavoz hasta que los brazos de anclaje se acoplen en el puente de mosaico o en la bandeja empotrada.
4. Fije los tornillos del brazo de anclaje para sujetar el altavoz.



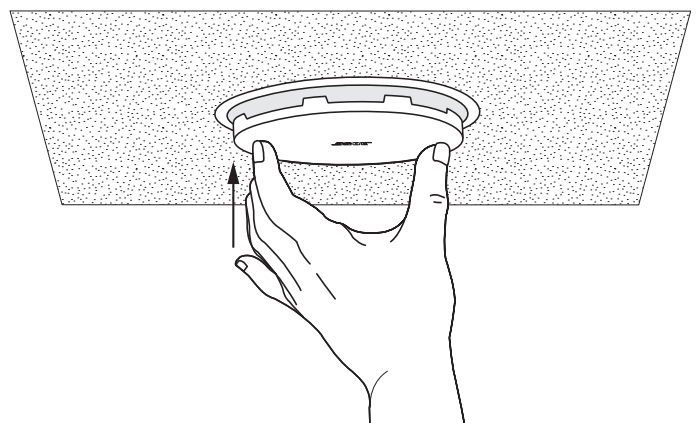
ADVERTENCIA: Apretar demasiado los tornillos o dejarlos muy sueltos puede dañar los brazos de anclaje, el punto de conexión del anclaje o el techo, lo que puede producir el riesgo de que se caiga el dispositivo.



Fijación de la rejilla

Nota: Antes de colocar la rejilla, ajuste la configuración de la toma del altavoz según la configuración adecuada para su instalación. Consulte **Configuración del altavoz** en la página 12.

Después de determinar la alineación adecuada del logotipo para la instalación, alinee la rejilla con el interior de la carcasa del altavoz y empuje hacia arriba hasta que quede fija en su lugar. Si es necesario, empuje las lengüetas de la rejilla hacia adentro para que encajen correctamente en la carcasa del altavoz.



Extracción de la rejilla

Inserte una herramienta pequeña (de no más de 1.5 mm de diámetro) a través de la perforación de la rejilla en el borde de esta y tire para soltarla.



PRECAUCIÓN: No utilice un destornillador para extraer la rejilla de la carcasa de forma forzada. Esto podría dañar el altavoz.

Cumplimiento de las normativas y los reglamentos de seguridad

El altavoz Bose FreeSpace FS2C ha superado pruebas y cumple con los siguientes usos y especificaciones:

Registrados en el estándar ANSI/UL 1480-2016, CAN/ULC-S541

Sistema de aviso de protección contra incendios: UL categoría UUMW/UUMW7, número de archivo S 3241, Número de control 42S9.

No apto para su uso en sistemas con CC monitoreada.

Apto para su uso en áreas interiores en lugares secos.

EN 54-24: 2008, altavoz para sistemas de alarma por voz para la detección de incendios y sistemas de alarma de incendios de edificios

Tipo de ambiente de uso: A (aplicaciones en áreas interiores)

Apto para su instalación con métodos de cableado Clase 1, Clase 2 o Clase 3 en conformidad con el estándar NFPA 70, Código Eléctrico Nacional, 2002, Artículo 640.

Apto para su uso con métodos de cableado de circuitos de alarma contra incendios en conformidad con el estándar NFPA 70, Código Eléctrico Nacional, 2002, Artículo 760

Apto para el uso en espacios de cámaras de aire con circulación de aire exterior.

Estándar UL-2043, prueba contra incendios y liberación de humo visible para productos diferenciados y sus accesorios instalados en espacios con circulación de aire exterior.

Estándar NFPA 70, Código Eléctrico Nacional, 2002, Artículo 300-22(c).

Estándar NFPA 90-A, 2002, instalación de sistemas de aire acondicionado y ventilación, Párrafo 4.3.10.2.6.5.

Directiva de EMC 89/336/EEC y artículo 10 (1) de la directiva, EN50081-1 y EN50082-1 como lo indica la marca CE.

El altavoz FreeSpace FS2C se diseñó según los requisitos definidos en la siguiente especificación reglamentaria europea para sistemas combinados:

Norma británica, código de práctica BS 5839, parte 8, cuando se utiliza con el bloque de terminales de cerámica y los fusibles térmicos.

Probado según IEC60268-5.

Ángulo de cobertura nominal (según UL 1480) Vertical: 145°/25° a -3 dB; 170°/5° a -6 dB

Horizontal: 140°/20° a -3 dB; 170°/5° a -6 dB

Sensibilidad de dBA del nivel de presión acústica del regulador de watts del estándar UL a 3,1 metros (10 pies):

Regulador de Watts	Estándar CAN/ ULC-S541 Canadá		Regulador de Watts	Estándar ANSI/ UL 1480-2016 Estados Unidos	
	70 V	100 V		70 V	100 V
1 W	77.3 dBA	—	1 W	71.9 dBA	—
2 W	80.0 dBA	79.8 dBA	2 W	74.5 dBA	74.9 dBA
4 W	82.4 dBA	82.6 dBA	4 W	77.2 dBA	77.5 dBA
8 W	84.8 dBA	84.6 dBA	8 W	79.8 dBA	79.9 dBA
16 W	86.7 dBA	86.3 dBA	16 W	82.1 dBA	82.2 dBA
16 Ω	86.0 dBA	—	16 Ω	82.6 dBA	—

Los SPL indicados se ajustan al método de generación de informes especificado por el estándar UL 1480.

Respuesta de frecuencia:

Alarma de incendio (UL): 95 Hz a 17000 Hz

Merci de lire et de conserver le manuel d'instruction et de respecter les consignes de sécurité.

Ce produit doit être installé par un technicien professionnel ! Ce document est destiné à fournir aux techniciens professionnels les directives de montage et de sécurité relatives à ce produit dédié à une installation fixe. Veuillez lire ce document, ainsi que l'ensemble des avertissements de sécurité avant de procéder à l'installation.

Ne tentez pas de réparer ce produit vous-même. Confiez toutes les opérations de maintenance à des centres de service, installateurs, techniciens, revendeurs ou distributeurs agréés. Pour contacter Bose Professional ou pour trouver un revendeur ou un distributeur près de chez vous, rendez-vous à l'adresse **PRO.BOSE.COM**.

1. Veuillez lire ces consignes.
2. Veuillez conserver ces consignes.
3. Respectez tous les avertissements.
4. Suivez toutes les consignes.
5. N'utilisez pas cet appareil à proximité d'eau ou de toute autre source d'humidité.
6. Utilisez uniquement un chiffon sec pour le nettoyage.
7. Ne bloquez jamais les orifices d'aération. Suivez les instructions du fabricant pour l'installation.
8. N'installez pas cet appareil à proximité d'une quelconque source de chaleur, telle qu'un radiateur, une arrivée d'air chaud, un four ou tout autre appareil (notamment les amplificateurs) produisant de la chaleur.
9. Utilisez uniquement les accessoires spécifiés par le fabricant.

AVERTISSEMENTS/PRÉCAUTIONS

Ce produit contient des composants magnétiques. Consultez votre médecin afin de savoir si ces composants peuvent avoir une incidence sur tout dispositif médical implanté.

Certaines petites pièces présentent un risque de suffocation. Ne les laissez pas à la portée des enfants de moins de 3 ans.

- Ce produit est destiné à une utilisation en intérieur uniquement.
- Tous les produits Bose doivent être installés dans le respect des réglementations locales et nationales. L'installateur est responsable du respect de tous les codes et règlements locaux et nationaux en vigueur applicables à l'installation et au montage des enceintes. Consultez les autorités locales compétentes avant d'installer ce produit.
- Tout montage non sécurisé ou suspension d'une lourde charge peut provoquer des dégâts matériels et des blessures graves, voire la mort. Il est de la responsabilité de l'installateur d'évaluer la fiabilité de la méthode de montage utilisée, en fonction de l'application. Seul un installateur professionnel connaissant les accessoires et techniques de montage adaptés est qualifié pour installer des enceintes suspendues.
- Ne montez pas le produit dans des endroits où il peut être exposé à l'eau ou à la condensation.
- Protégez ce produit de tout risque de ruissellement ou d'éclaboussure. Ne placez pas d'objets contenant des liquides, tels que des vases, sur le produit ou à proximité.
- Ce produit n'est pas destiné à être monté ou utilisé dans des installations humides en intérieur (par exemple piscine intérieure, parc aquatique intérieur, baignoire à remous, sauna, hammam, patinoire intérieure, etc.).
- Veillez à ne pas installer sur des surfaces peu résistantes ou dans lesquelles peuvent être intégrés des éléments dangereux, tels que des fils électriques ou des tuyaux de plomberie. Confiez l'installation du support à un professionnel qualifié, conformément aux réglementations locales.
- N'utilisez que le matériel et les accessoires livrés ou spécifiés par Bose pour une utilisation avec les enceintes FreeSpace FS2C. Pour plus d'informations sur les accessoires compatibles, reportez-vous à la fiche technique du produit sur **PRO.BOSE.COM**.
- Tenez le produit à l'écart du feu et des sources de chaleur. Ne placez jamais d'objets inflammables, tels que des bougies allumées, sur l'appareil.
- Veillez à ne pas effectuer de modifications non autorisées sur ce produit.
- N'exposez pas l'enceinte ou les accessoires de montage à des substances chimiques qui ne sont pas spécifiées par Bose, y compris, mais sans s'y limiter, les lubrifiants, les produits de nettoyage, les sprays de contact ou les solvants à base d'hydrocarbures. L'exposition à de telles substances peut provoquer une dégradation du matériau plastique, se traduisant par des fêlures pouvant conduire à une chute de l'enceinte.
- Nettoyez uniquement les enceintes avec un chiffon sec. N'exposez pas l'enceinte à du savon, des détergents, des huiles minérales, de l'alcool ou d'autres agents nettoyants ou chimiques.

Spécifications du produit :

Tension d'entrée : 70 V/100 V

Impédance : 16 Ω, 16 W

Courant ou puissance : (70 V) : 1 W, 2 W, 4 W, 8 W, 16 W ; (100 V) : 2 W, 4 W, 8 W, 16 W

Informations réglementaires

Ne repeignez pas et ne modifiez pas les finitions appliquées en usine.



Ce produit est conforme à toutes les directives de l'Union européenne qui s'y appliquent. La déclaration de conformité complète est disponible à l'adresse suivante : **www.Bose.com/compliance/**.



Ce symbole signifie que le produit ne doit pas être jeté avec les déchets ménagers, mais doit être déposé dans un centre de collecte approprié pour recyclage. La mise au rebut adéquate et le recyclage permettent de protéger les ressources naturelles, la santé humaine et l'environnement. Pour plus d'informations sur l'élimination et le recyclage de ce produit, contactez votre mairie, votre service d'enlèvement des ordures ou le magasin où vous avez acheté ce produit.

Date de fabrication : le huitième chiffre du numéro de série indique l'année de fabrication ; par exemple, « 7 » correspond à 2007 ou à 2017.

Importateur pour la Chine : Bose Electronics (Shanghai) Company Limited, Part C, Plant 9, No. 353 North Riyang Road, China (Shanghai) Pilot Free Trade Zone

Importateur pour l'UE : Bose Products B.V., Gorslaan 60, 1441 RG Purmerend, Pays-Bas

Importateur pour le Mexique : Bose de México, S. de R.L. de C.V., Paseo de las Palmas 405-204, Lomas de Chapultepec, 11000 México, D.F. Pour plus d'informations sur l'importateur et le service : +5255 (5202) 3545

Importateur pour Taïwan : Bose Taiwan Branch, 9F-A1, No. 10, Section 3, Minsheng East Road, Taipei City 104, Taiwan. Numéro de téléphone : +886-2-2514 7676

Bose, DesignMax et FreeSpace sont des marques commerciales de Bose Corporation.

Siège de Bose Corporation : 1-877-230-5639

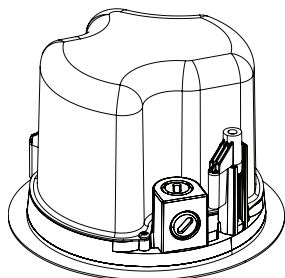
©2020 Bose Corporation. Toute reproduction, modification, distribution ou autre utilisation, même partielle, de ce document est interdite sans autorisation écrite préalable.

Informations relatives à la garantie

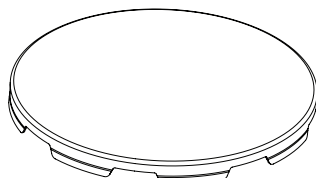
Cet appareil est couvert par une garantie limitée.

Pour avoir plus d'information sur la garantie, visitez **PRO.BOSE.COM**.

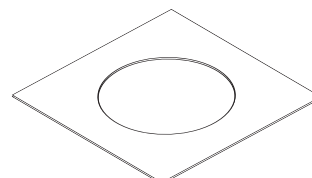
Contenu de l'emballage



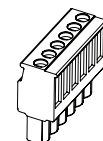
x 2



x 2

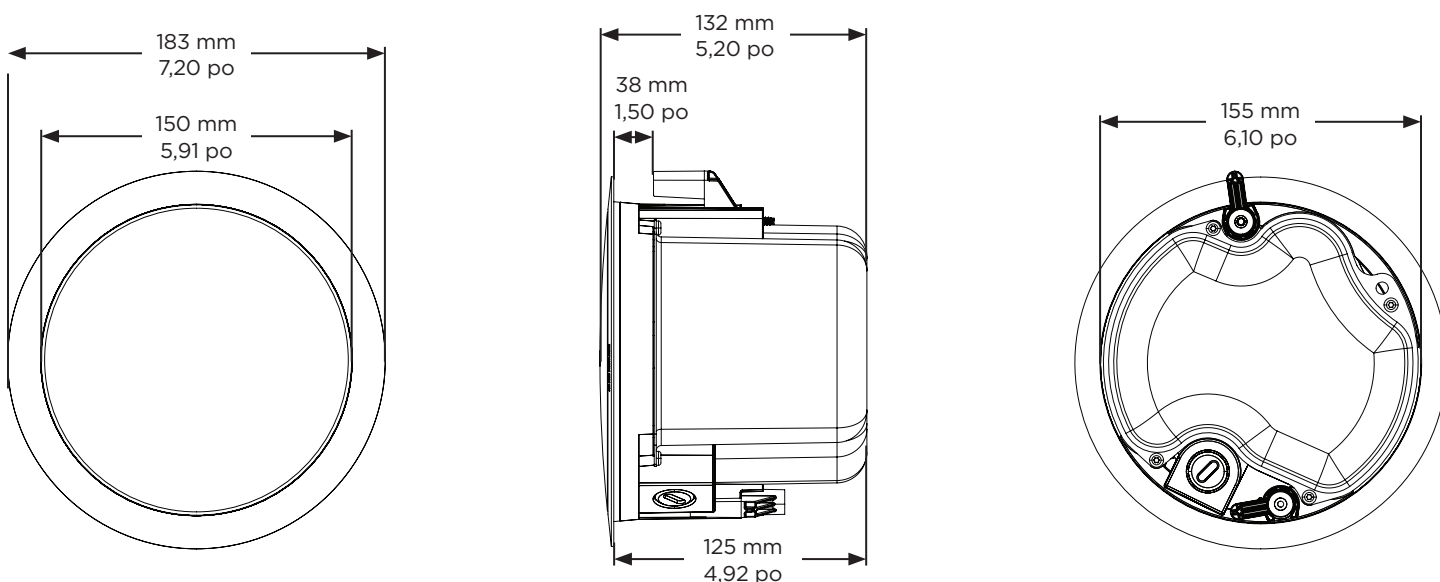


x 1



x 2

Dimensions du produit



Caractéristiques techniques

Pour consulter d'autres caractéristiques, veuillez vous reporter à la fiche technique de l'enceinte FreeSpace FS2C disponible sur le site **PRO.BOSE.COM**. Pour consulter les caractéristiques de la norme EN 54-24 (y compris concernant les égaliseurs externes requis), veuillez vous reporter aux évaluations certifiées EN 54-24 de l'enceinte FreeSpace FS2C (AM857600 Rev. 00) sur **PRO.BOSE.COM**.

Caractéristiques physiques	
Dimensions du produit	Diamètre de l'enceinte : 183 mm (7,20 po)
	Diamètre du boîtier : 155 mm (6,10 po)
	Profondeur du boîtier : 125 mm (4,92 po)
Ouverture à découper	165 mm (6,50 po)
Épaisseur maximale du plafond	38 mm (1,50 po)
Poids net, enceinte avec grille (une seule enceinte)	1,63 kg (3,60 lb)
Poids brut (paire d'enceintes)	4,40 kg (9,70 lb)
Environnement	Utilisation en intérieur uniquement

Informations importantes concernant l'installation



Avant d'installer l'enceinte, veuillez consulter les **Consignes de sécurité importantes** sur la page 16.



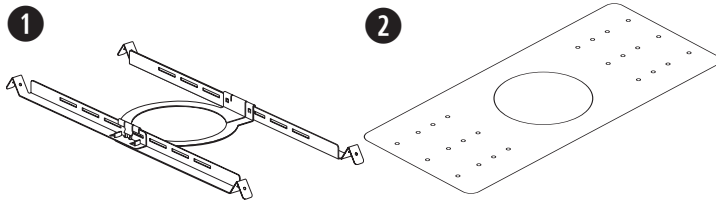
Pour **les applications d'alerte en cas d'incendie et d'évacuation**, conforme à l'indice IP21C comme requis par la norme EN 54-24.

Options d'installation

Options d'installation et accessoires

L'un des éléments suivants est nécessaire pour l'installation. Pour consulter les instructions d'installation, reportez-vous au guide d'installation relatif à l'accessoire sur le site PRO.BOSE.COM.

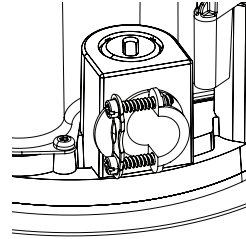
- ❶ Support réglable pour plafond (non fourni)
- ❷ Plaque de montage en faux plafond (non fournie)



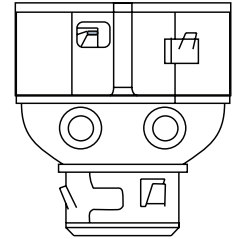
Raccord de conduit

Si vous utilisez un conduit en métal flexible, associez-le à un raccord de conduit $\frac{3}{8}$ pouce ou à un connecteur double (duplex) $\frac{3}{8}$ pouce.

Remarque : les raccords de conduit ne sont pas fournis.



Entrée simple $\frac{3}{8}$
pouces



Entrée duplex/boucle $\frac{3}{8}$
pouces

Choisir une méthode d'installation

❶ Ouverture du haut

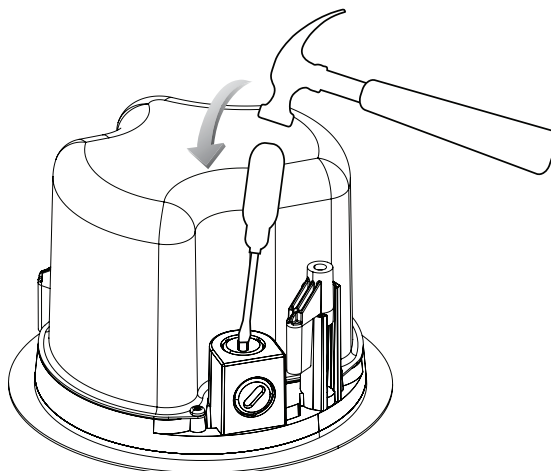
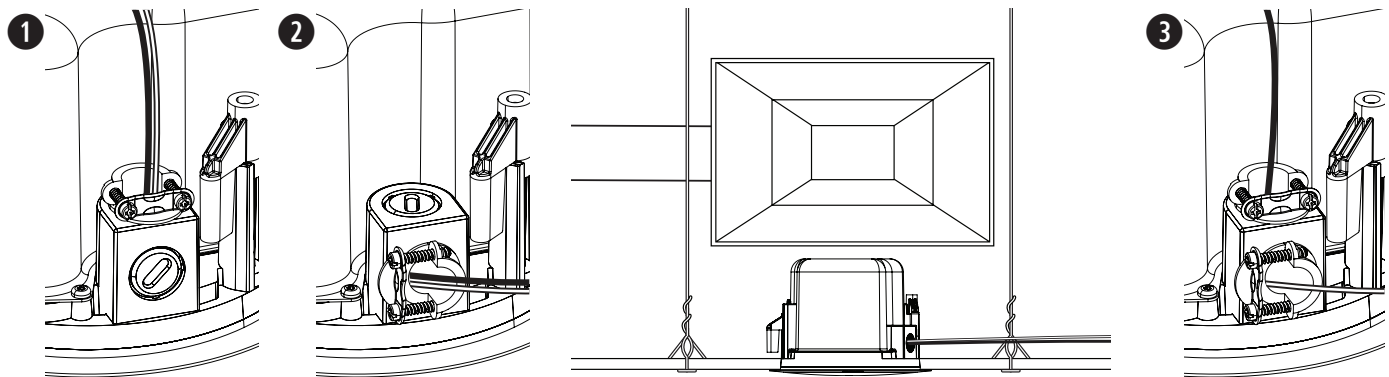
Utilisez l'ouverture du haut lorsqu'il y a suffisamment d'espace au-dessus du plafond.

❷ Ouverture latérale

Utilisez l'ouverture latérale lorsque l'espace au-dessus du plafond est limité.

❸ Deux ouvertures

Utilisez les deux ouvertures lorsqu'un système de câblage d'entrée et de sortie de signal indépendants est requis et qu'il y a suffisamment d'espace au-dessus du plafond.



Câblage de l'enceinte

Épaisseur des câbles

L'enceinte FreeSpace FS2C est conçue pour fonctionner avec des câbles de taille 18 AWG (0,8 mm²) à 14 AWG (2,1 mm²) uniquement.

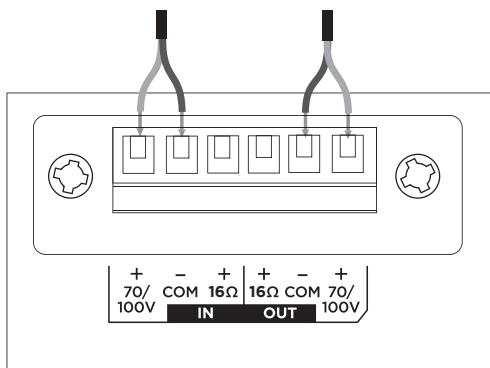
Diagrammes de connexion

Exposez six millimètres (¼ po) de fil dénudé à relier aux bornes.

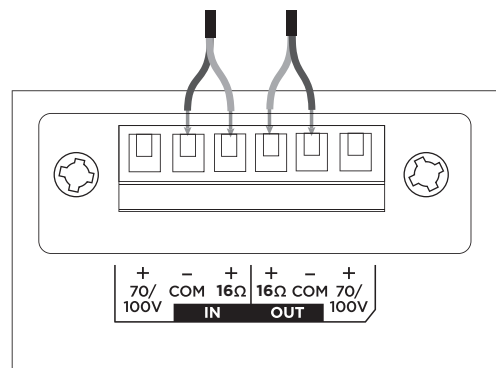
Remarque : la méthode de câblage doit être conforme aux spécifications suivantes :

Canada - CSA C22.1, Canadian Electrical Code, Part I, Safety Standard for Electrical Installations, Section 32 ;

États-Unis - National Electrical Code, NFPA 70 et National Fire Alarm and Signaling Code, NFPA 72.

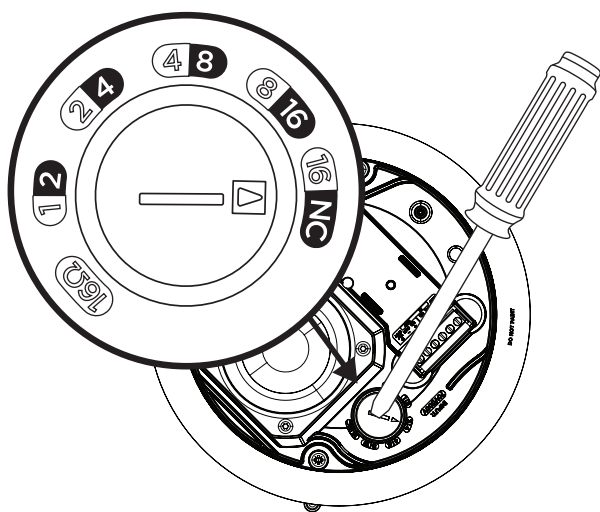


70/100 V



16 Ω

Réglages de l'enceinte



70 V					
1 W	2 W	4 W	8 W	16 W*	
2 W	4 W	8 W	16 W	NC**	16 Ω
100 V					

* Réglage d'usine par défaut

** NC : pas de connexion (ne pas utiliser)

Réglage de la prise du transformateur

Réglez la prise en la tournant. Utilisez un tournevis à tête plate.

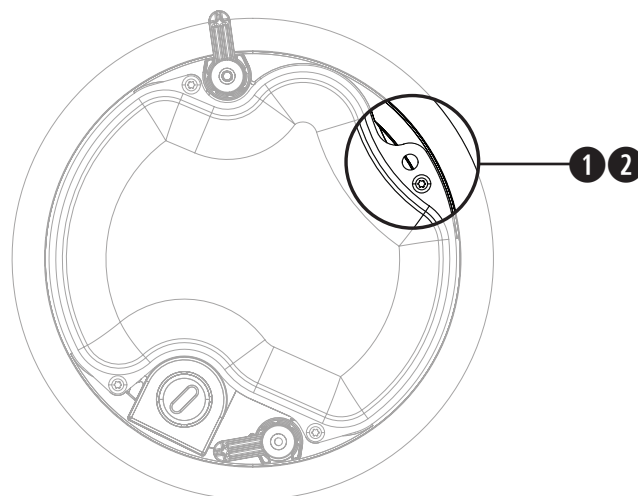
Préparation de l'installation

Utilisation d'un câble de sécurité

Le code de l'urbanisme de certaines régions impose l'utilisation d'une méthode secondaire de fixation des enceintes aux structures porteuses pour apporter une sécurité supplémentaire. Pour le montage, choisissez une position, une méthode et des accessoires compatibles avec le code de l'urbanisme local.

Bose recommande l'utilisation de : (1) un fil de sécurité ou (2) un câble de sécurité comme dispositif de sécurité secondaire. Reportez-vous au schéma ci-contre à droite pour prendre connaissance des points de fixation de sécurité.

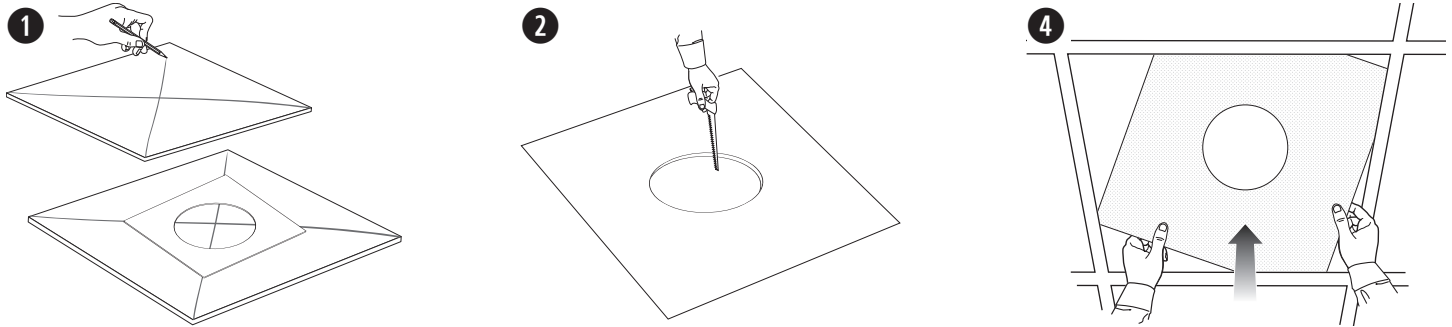
Suivez les instructions du fabricant pour toute mise en œuvre d'un dispositif de sécurité secondaire.



Préparation de l'installation d'un support

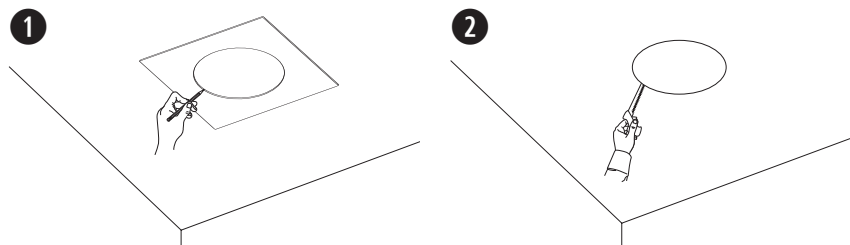
Dalle de plafond

1. Retirez la dalle et utilisez le gabarit pour tracer le contour d'une enceinte sur la dalle. Pour centrer le gabarit sur la dalle, dessinez une croix (X) en reliant les angles en diagonale, et centrez le gabarit au point d'intersection.
2. Découpez une ouverture dans la dalle.
3. Installez le support. Pour consulter les instructions concernant l'installation d'un support, reportez-vous au guide d'installation du support applicable sur le site PRO.BOSE.COM.
4. Remettez en place la dalle de plafond.



Plafond dur

1. Utilisez le gabarit pour tracer une ouverture sur le plafond.
2. Découpez une ouverture dans le plafond.
3. Installez le support. Pour consulter les instructions concernant l'installation d'un support, reportez-vous au guide d'installation du support applicable sur le site PRO.BOSE.COM.

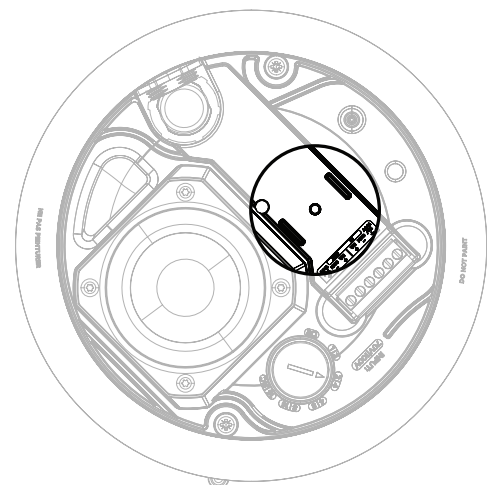


Installation dans un plafond dur avec plaque de montage (nouvelle construction)

Pour plus d'informations sur l'installation d'une plaque de montage, reportez-vous au guide d'installation des plaques de montage pour DesignMax et FreeSpace sur le site PRO.BOSE.COM. Une fois la plaque de montage installée, consultez la section **Montage de l'enceinte** à la page 21.

Point de fixation du bornier céramique

L'enceinte FreeSpace FS2C est compatible avec un bornier céramique (accessoire optionnel). Reportez-vous au schéma pour vérifier l'emplacement du point de fixation du bornier céramique. Pour plus d'informations sur le bornier céramique, reportez-vous au guide d'installation du bornier céramique sur le site PRO.BOSE.COM.

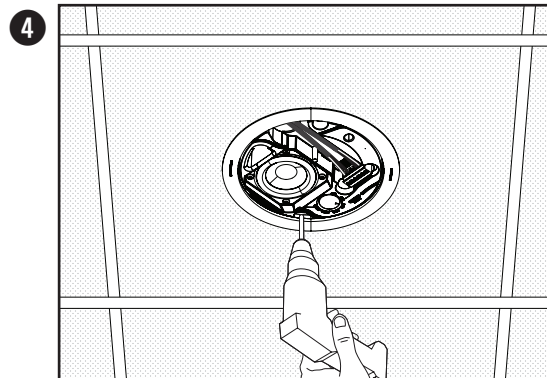
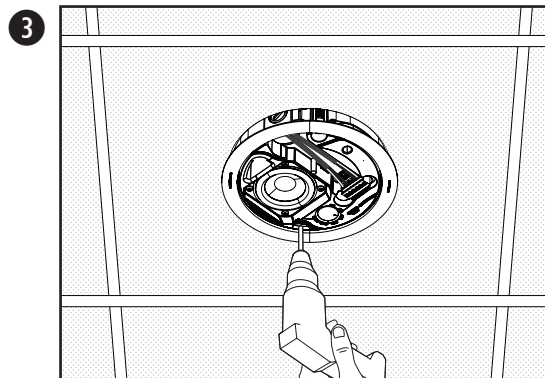
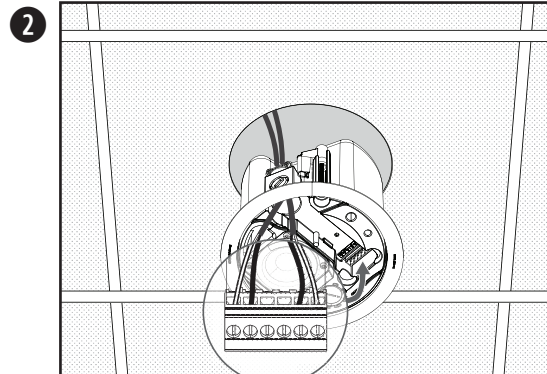
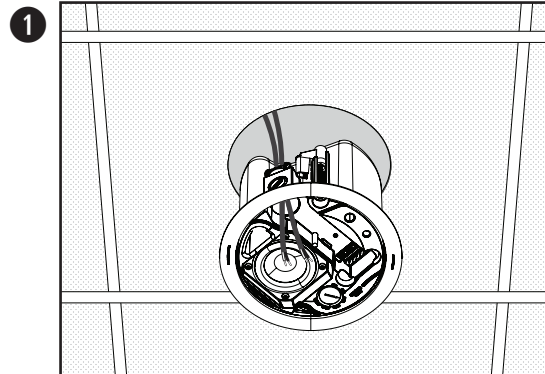


Montage de l'enceinte

1. Faites passer le câble audio par l'ouverture de passage.
2. Branchez le connecteur et insérez-le dans l'enceinte. Serrez le raccord de gaine, le cas échéant. Consultez la section **Câblage de l'enceinte** à la page 19 pour plus d'informations sur le câblage.
3. Insérez l'enceinte dans le trou, puis dans l'élément de montage ou la plaque de montage (voir page 20). Ensuite, tournez (sens inverse des aiguilles d'une montre) les vis du bras d'ancrage d'un demi-tour pour dégager les bras d'ancrage. Abaissez ensuite progressivement l'enceinte jusqu'à ce que les bras d'ancrage s'enclenchent sur l'élément de montage ou la plaque de montage.
4. Serrez les vis des bras d'ancrage pour fixer fermement l'enceinte.



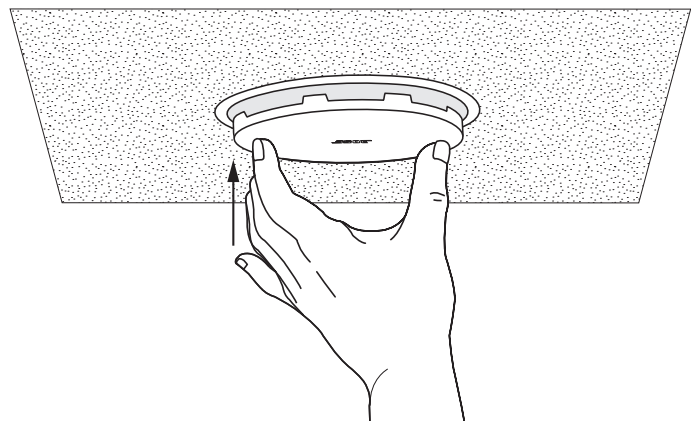
AVERTISSEMENT : un serrage insuffisant ou excessif des vis peut endommager les bras d'ancrage, les points de fixation ou le plafond, ce qui pourrait créer un risque de chute.



Fixation de la grille

Remarque : avant de fixer la grille, ajustez les réglages de l'enceinte sur la position appropriée pour l'installation. Consultez la section **Réglages de l'enceinte** à la page 19.

Après avoir aligné le logo de façon appropriée pour l'installation, alignez la grille par rapport à l'intérieur du boîtier de l'enceinte, puis poussez vers le haut jusqu'à ce qu'elle soit bien en place. Si nécessaire, poussez les ergots de la grille vers l'intérieur pour faciliter son insertion dans le boîtier de l'enceinte.



Démontage de la grille

Insérez un petit outil (d'un diamètre de 1,5 mm au plus) dans l'un des trous de la grille situés dans le coin, puis tirez pour dégager la grille.



ATTENTION : n'utilisez pas de tournevis pour retirer la grille du boîtier. Vous risqueriez d'endommager l'enceinte.

Conformité aux réglementations et aux normes de sécurité en vigueur

L'enceinte Bose FreeSpace FS2C a fait l'objet d'une phase complète de tests, et elle est conforme aux spécifications et aux utilisations suivantes :

ANSI/UL 1480-2016, CAN/ULC-S541

Utilisation de signalisation en cas d'incendie, catégorie UL UUMW/UUMW7, dossier S 3241. Numéro de contrôle 42S9. Produit non destiné à une utilisation avec des systèmes à contrôle en courant continu.

Utilisation à l'intérieur dans des endroits secs.

EN 54-24: 2008, Enceinte pour systèmes d'alarme vocale pour la détection d'incendie et pour systèmes d'alarme incendie dans les bâtiments

Type d'environnement : A (applications en intérieur)

Utilisable pour une installation suivant les méthodes de câblage de classe 1, 2 ou 3, conformément à la norme NFPA 70, National Electric Code, 2002, article 640.

Utilisable pour une installation suivant les méthodes de câblage de circuit d'alerte incendie selon la norme NFPA 70, National Electric Code, 2002, article 760.

Convient à une utilisation dans des emplacements ventilés de type plénum.

UL-2043, Essai de réaction au feu et dégagement de fumée visible pour les produits autonomes et leurs accessoires installés dans des emplacements ventilés.

NFPA 70, National Electric Code, 2002, article 300-22 (c).

NFPA 90-A, 2002, Installation de systèmes de climatisation et de ventilation, Paragraphe 4.3.10.2.6.5.

Directive CEM 89/336/EEC et article 10 (1) de cette même directive, EN50081-1 et EN50082-1, comme indiqué par le marquage CE.

L'enceinte FreeSpace FS2C a été conçue en conformité avec les exigences définies dans les spécifications réglementaires européennes suivantes relatives aux systèmes utilisés en combinaison :

British Standard Code of Practice BS 5839, partie 8, en cas d'utilisation avec le bornier céramique et le fusible thermique.

Testé conforme à la norme CEI 60268-5.

Angle de couverture nominal (conformément à la norme UL 1480) Vertical : 145°/25° à -3 dB ; 170°/5° à -6 dB
Horizontal : 140°/20° à -3 dB ; 170°/5° à -6 dB

Niveau de pression sonore pour mesure de sensibilité suivant la norme UL, en dBA à 3,1 mètres :

Puissance	CAN/ULC-S541 Canada		Puissance	ANSI/UL 1480-2016 États-Unis		
	Réglage	70 V		100 V	Réglage	70 V
1 W		77,3 dBA	—	1 W	71,9 dBA	—
2 W		80,0 dBA	79,8 dBA	2 W	74,5 dBA	74,9 dBA
4 W		82,4 dBA	82,6 dBA	4 W	77,2 dBA	77,5 dBA
8 W		84,8 dBA	84,6 dBA	8 W	79,8 dBA	79,9 dBA
16 W		86,7 dBA	86,3 dBA	16 W	82,1 dBA	82,2 dBA
16 Ω		86,0 dBA	—	16 Ω	82,6 dBA	—

Les niveaux de pression acoustique indiqués sont conformes à la méthode de signalisation spécifiée UL 1480.

Réponse en fréquences :



Alarme incendie (UL) : 95 Hz à 17000 Hz


Bitte lesen Sie alle Sicherheitshinweise und Gebrauchsanleitungen durch und bewahren Sie sie auf.

Dieses Produkt darf nur von fachkundigen Monteuren installiert werden! Dieses Dokument soll fachkundigen Monteuren grundlegende Installations- und Sicherheitsrichtlinien für dieses Produkt in typischen Festinstallationen bieten. Bitte lesen Sie dieses Dokument und alle Sicherheitshinweise vor der Installation durch.


Versuchen Sie nicht, dieses Produkt selbst zu warten. Lassen Sie jegliche Reparatur- und Wartungsarbeiten nur von autorisierten Servicepartnern, Monteuren, Technikern, Händlern oder Distributoren durchführen. Die Bose Professional Kontaktdaten für Ihr Land finden Sie auf PRO.BOSE.COM.

1. Lesen Sie die folgenden Anweisungen.
2. Bewahren Sie die Anweisungen auf.
3. Beachten Sie alle Warn- und Sicherheitshinweise.
4. Befolgen Sie alle Anweisungen.
5. Verwenden Sie dieses Gerät nicht in der Nähe von Wasser.
6. Reinigen Sie das Gerät nur mit einem sauberen, trockenen Tuch.
7. Achten Sie darauf, dass die Lüftungsöffnungen nicht blockiert sind. Stellen Sie das Gerät nur in Übereinstimmung mit den Herstelleranweisungen auf.
8. Stellen Sie das Gerät nicht in der Nähe von Wärmequellen auf, wie zum Beispiel Heizkörpern, Wärmespeichern, Öfen oder anderen Geräten (auch Verstärkern), die Wärme erzeugen.
9. Verwenden Sie nur Zubehör-/Anbauteile, die vom Hersteller zugelassen sind.


WARNHINWEISE




Dieses Produkt enthält magnetische Materialien. Wenden Sie sich an Ihren Arzt, wenn Sie wissen möchten, ob dies den Betrieb Ihres implantierten medizinischen Geräts beeinflussen kann.



Enthält kleine Teile, die verschluckt werden können und eine Erstickengefahr darstellen. Nicht geeignet für Kinder unter drei Jahren.

- Dieses Produkt ist nur für den Gebrauch im Innenbereich bestimmt.
- Alle Produkte von Bose müssen gemäß den örtlichen und staatlichen Vorschriften sowie gemäß allen Branchenbestimmungen installiert werden. Der Monteur ist dafür verantwortlich, sicherzustellen, dass die Installation der Lautsprecher und der Halterung gemäß allen geltenden Vorschriften durchgeführt wird, einschließlich örtlicher Bauvorschriften und -bestimmungen. Wenden Sie sich vor der Installation dieses Produkts an die zuständige abnehmende Behörde.
- Eine nicht ausreichend gesicherte Montage schwerer Lasten oder deren Aufhängung über Kopf kann zu schweren oder tödlichen Verletzungen und Sachschäden führen. Der Monteur ist dafür verantwortlich, die Zuverlässigkeit der für die Anwendung verwendeten Befestigungstechniken zu prüfen. Nur fachkundige Monteure mit Wissen über sachgemäße Befestigungselemente und sichere Befestigungstechniken sollten Lautsprecher über Kopf installieren.
- Montieren Sie das Produkt nicht an Orten, an denen es starker Feuchtigkeit ausgesetzt ist oder Kondenswasser auftreten kann.
- Schützen Sie dieses Produkt vor tropfenden oder spritzenden Flüssigkeiten und stellen Sie keine mit Flüssigkeiten gefüllten Gefäße (z. B. Vasen) auf das Produkt oder in die Nähe des Produkts.
- Dieses Produkt ist nicht für die Installation oder Verwendung in Feuchtbereichen (zum Beispiel Schwimmbädern, Wasserparks, Räumen mit Whirlpools, Saunas, Dampfbädern und Eislaufbahnen) gedacht.
- Bei der Montage ist auf eine tragfähige Oberfläche zu achten, in deren Nähe sich keine Einrichtungen wie strom- oder wasserführende Leitungen befinden. Stellen Sie sicher, dass die Halterung von einem fachkundigen Monteur und gemäß den örtlichen Bauvorschriften montiert wird.
- Verwenden Sie für die Montage ausschließlich die im Lieferumfang enthaltenen oder von Bose für die Verwendung mit den FreeSpace FS2C Lautsprechern zugelassene Hardware und entsprechende Zubehörteile. Informationen zu kompatiblen Zubehörteilen finden Sie in den technischen Datenblättern auf PRO.BOSE.COM.
- Halten Sie das Produkt von Feuer und Wärmequellen fern. Stellen Sie keine brennenden Kerzen oder ähnliches auf das Gerät oder in die Nähe des Geräts.
- Nehmen Sie keine nicht genehmigten Änderungen an diesem Produkt vor.
- Stellen Sie sicher, dass der Lautsprecher und die Montagekomponenten nicht mit chemischen Substanzen in Berührung kommen, die nicht von Bose zugelassen sind. Dies umfasst unter anderem Schmiermittel, Reinigungsmittel, Kontaktspray oder Lösungsmittel auf Kohlenwasserstoffbasis. Der Kontakt mit solchen Mitteln kann zu Rissen im Kunststoffmaterial und infolgedessen zum Herunterfallen führen.
- Die Lautsprecher nur mit einem weichen, trockenen Tuch reinigen. Verwenden Sie zur Reinigung niemals Seife, Spülmittel, Mineralöl, Alkohol oder sonstige Reinigungsmittel oder Chemikalien.

Leistungsdaten:

Eingangsspannung: 70 V/100 V

Impedanz: 16 Ω, 16 W

Nennleistung: (70 V): 1 W, 2 W, 4 W, 8 W, 16 W; (100 V): 2 W, 4 W, 8 W, 16 W

Installationsanleitung • FreeSpace FS2C

Gesetzliche Hinweise

Werkseitig aufgebrauchte Oberflächen dürfen nicht lackiert oder verändert werden.



Dieses Produkt entspricht allen Anforderungen der geltenden EU-Richtlinien. Die vollständige Konformitätserklärung ist einsehbar unter: www.Bose.com/compliance.



Dieses Symbol bedeutet, dass das Produkt nicht mit dem Hausmüll entsorgt werden darf, sondern bei einer geeigneten Sammelstelle für das Recycling abgegeben werden muss. Die ordnungsgemäße Entsorgung und das Recycling tragen dazu bei, die natürlichen Ressourcen, die Gesundheit und die Umwelt zu schützen. Weitere Informationen zur Entsorgung und zum Recycling dieses Produkts erhalten Sie von Ihrer zuständigen Kommune, Ihrem Entsorgungsdienst oder dem Geschäft, in dem Sie dieses Produkt gekauft haben.

Herstellungsdatum: Die achte Ziffer in der Seriennummer gibt das Herstellungsjahr an: „7“ ist 2007 oder 2017.

Importeur aus China: Bose Electronics (Shanghai) Company Limited, Part C, Plant 9, No. 353 North Riyang Road, China (Shanghai) Pilot Free Trade Zone

Importeur aus der EU: Bose Products B.V., Gorslaan 60, 1441 RG Purmerend, Niederlande

Importeur aus Mexiko: Bose de México, S. de R.L. de C.V., Paseo de las Palmas 405-204, Lomas de Chapultepec, 11000 México, D.F. Importeur- und Serviceinformationen erhalten Sie unter: +5255 (5202) 3545

Importeur aus Taiwan: Bose Taiwan Branch, 9F-A1, No. 10, Section 3, Minsheng East Road, Taipei City 104, Taiwan. Tel.: +886-2-2514 7676

Bose, DesignMax und FreeSpace sind Marken der Bose Corporation.

Hauptsitz der Bose Corporation: 1-877-230-5639

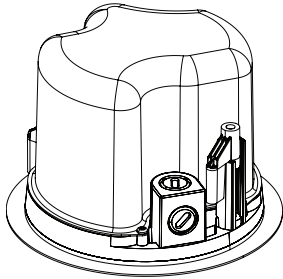
©2020 Bose Corporation. Dieses Dokument darf ohne vorherige schriftliche Genehmigung weder ganz noch teilweise reproduziert, verändert, vertrieben oder in anderer Weise verwendet werden.

Garantiehinweise

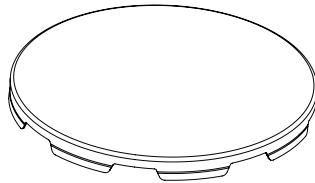
Für dieses Produkt gilt eine eingeschränkte Garantie.

Informationen zur Garantie finden Sie unter PRO.BOSE.COM.

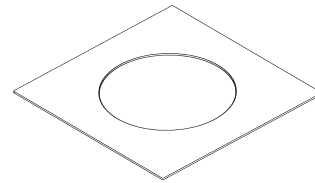
Verpackungsinhalt



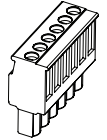
×2



×2

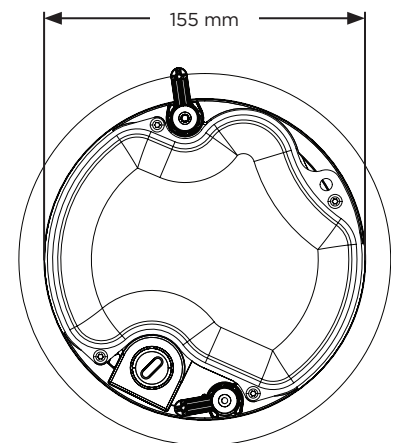
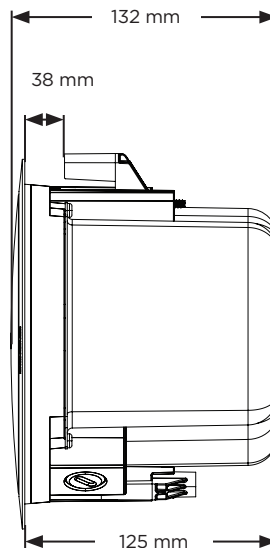
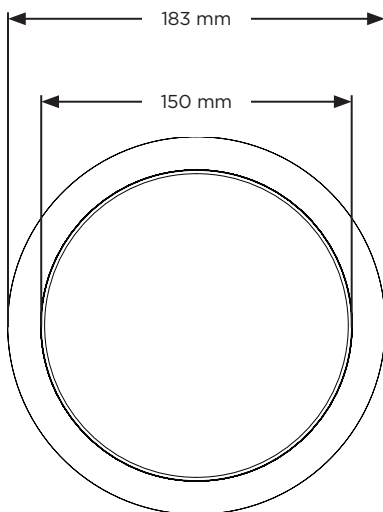


×1



×2

Produktabmessungen



Technische Spezifikationen

Weitere technische Spezifikationen können Sie dem technischen Datenblatt für die FreeSpace FS2C Lautsprecher auf PRO.BOSE.COM entnehmen. Die Spezifikationen gemäß EN 54-24 (einschließlich erforderlicher externer EQ) finden Sie in den EN 54-24-Zertifizierungsbestimmungen für den FreeSpace FS2C Lautsprecher (AM857600 Rev. 00) unter PRO.BOSE.COM.

Material, Abmessungen, Gewicht	
Produktabmessungen	Durchmesser der Schallwand: 183 mm
	Gehäusedurchmesser: 155 mm
	Tiefe Rückwand: 125 mm
Deckenausschnitt	165 mm
Maximale Deckenstärke	38 mm
Nettogewicht - Lautsprecher und Abdeckgitter (1 Stück)	1,63 kg
Versandgewicht (2 Stück)	4,4 kg
Umgebungsbedingungen	Nur für den Gebrauch im Innenbereich

Wichtige Installationshinweise



Bitte lesen Sie vor der Installation des Lautsprechers den Abschnitt **Wichtige Sicherheitshinweise** auf Seite 23.



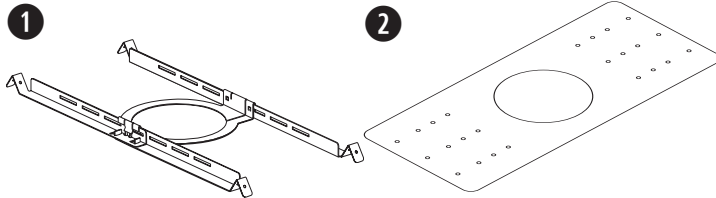
Geeignet für **Branderkennungs- und Brandmeldesysteme** sowie für den Einsatz im Außenbereich (Schutzart IP21C) gemäß EN 54-24.

Installationsoptionen

Installationsoptionen und Montagezubehör

Für die Installation ist eines der folgenden Zubehörteile erforderlich. Installationsanweisungen finden Sie in der zugehörigen Zubehör-Installationsanleitung unter PRO.BOSE.COM.

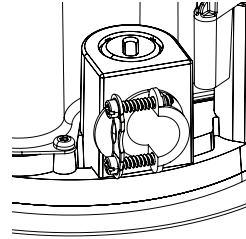
- 1 Einstellbare Tile Bridge (nicht im Lieferumfang enthalten)
- 2 Rough-in-Pan-Montageplatte (nicht im Lieferumfang enthalten)



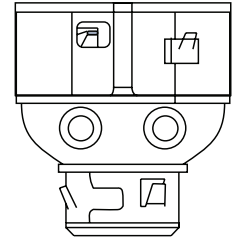
Kabelverschraubung (Zugentlastung)

Bei Verwendung eines Kabelschutzrohres aus Metall ist eine einzelne $\frac{3}{8}$ -Zoll-Kabelverschraubung oder ein $\frac{3}{8}$ -Zoll-Duplex-Anschluss zu verwenden.

Hinweis: Kabelverschraubungen sind nicht im Lieferumfang enthalten.



$\frac{3}{8}$ Zoll-Einzelanschluss



$\frac{3}{8}$ Zoll Duplex-Anschluss

Auswahl einer Installationsmethode

1 Oberer Anschluss

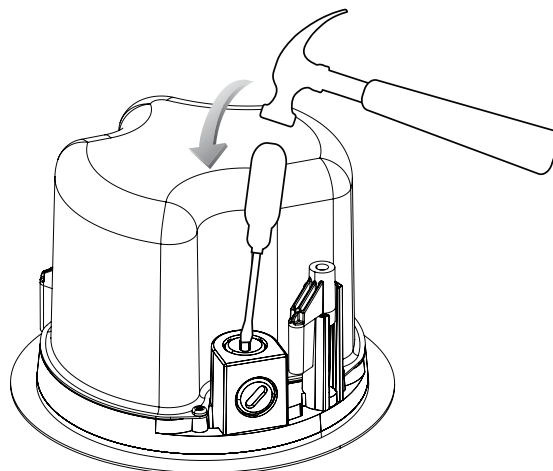
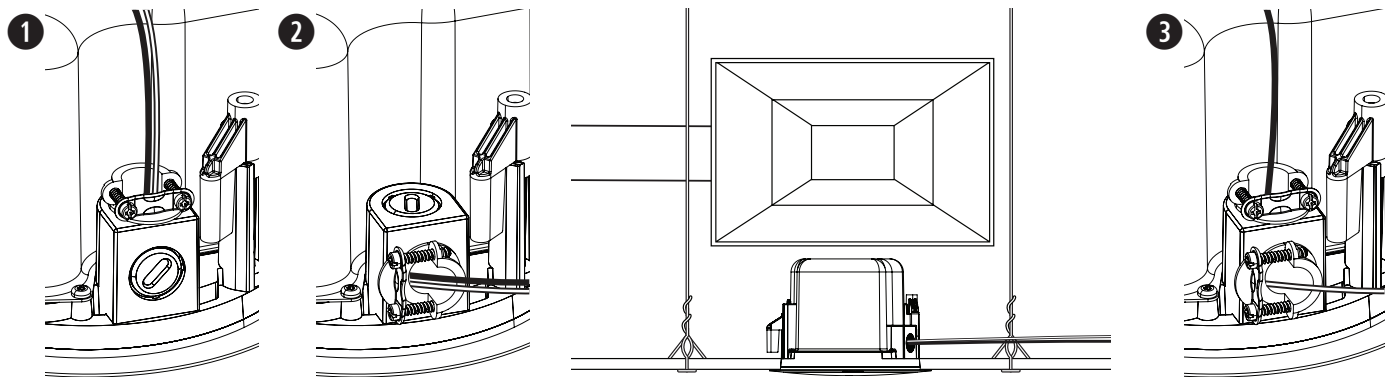
Verwenden Sie den oberen Anschluss, wenn ausreichend Platz über der abgehängten Decke ist.

2 Seitlicher Anschluss

Verwenden Sie den seitlichen Anschluss, wenn der Platz über der abgehängten Decke knapp bemessen ist.

3 Beide Anschlüsse

Verwenden Sie beide Anschlüsse, wenn eine separate Zuführung für die Signalein- und -ausgänge erforderlich und über der Decke noch Platz vorhanden ist.



Verkabeln des Lautsprechers

Kabeldurchmesser

Der FreeSpace FS2C Lautsprecher wurde für den ausschließlichen Gebrauch mit Kabeln der Größen 18 AWG (0,8 mm²) bis 14 AWG (2,1 mm²) entwickelt.

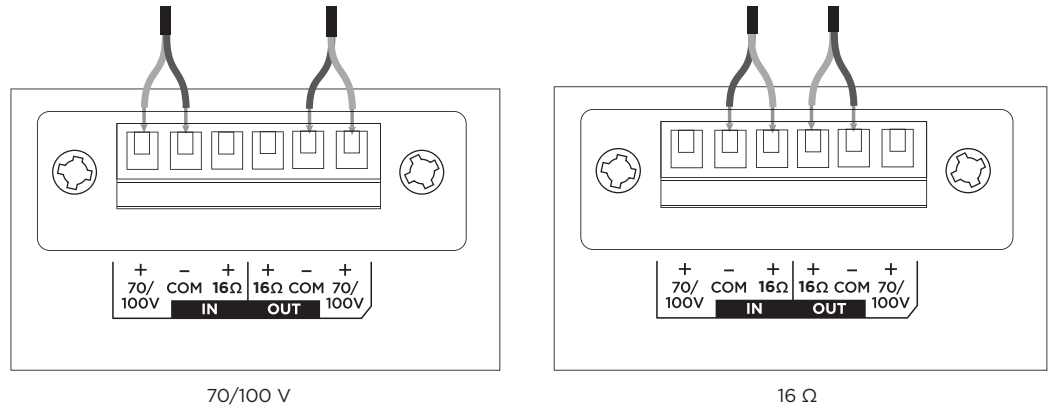
Anschlussdiagramme

Isolieren Sie einen Teil des Drahtes (6 mm) für den Anschluss an die Anschlüsse ab.

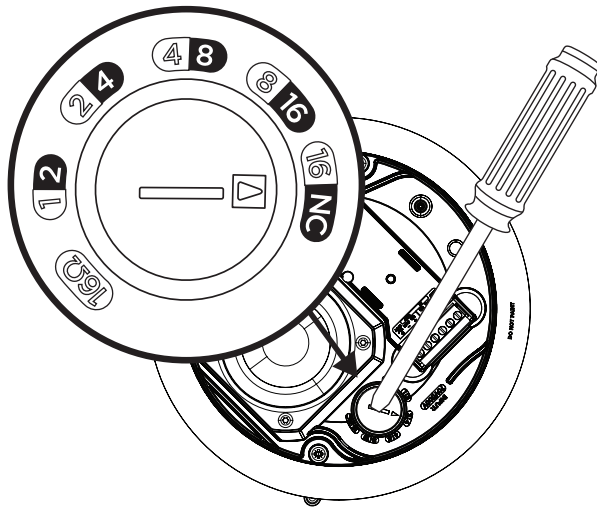
Hinweis: Die Verdrahtung muss den folgenden Vorschriften entsprechen:

In Kanada: CSA C22.1, Canadian Electrical Code, Teil I, Safety Standard for Electrical Installations, Abschnitt 32

In den USA: National Electrical Code, NFPA 70 und National Fire Alarm and Signaling Code, NFPA 72



Lautsprechereinstellungen



70 V					
1 W	2 W	4 W	8 W	16 W*	16 Ω
2 W	4 W	8 W	16 W	KA**	
100 V					

* Werkseinstellung

** KA: Kein Anschluss (nicht verwenden)

Einstellen des Leistungsabgriffes am Übertrager

Stellen Sie die Leistungsabgabe durch Drehen ein. Verwenden Sie dafür einen Schlitzschraubendreher.

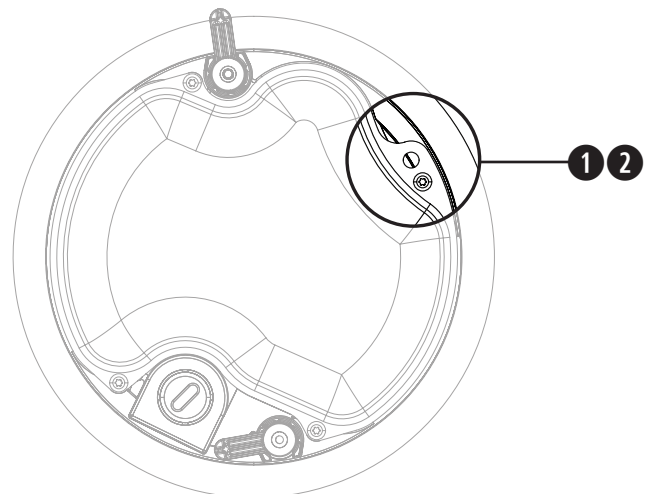
Vorbereitung der Montage

Verwendung eines Sicherungsseils

Einige Bauvorschriften schreiben als Sicherheitsvorkehrung vor, den Lautsprecher an einer tragenden Konstruktion zusätzlich abzusichern. Wählen Sie eine Montageposition und -methode sowie Werkzeuge, die den örtlichen Bauvorschriften entsprechen.

Bose empfiehlt die Verwendung (1) eines Sicherungsdrahtes oder (2) eines Sicherungsseils zur zusätzlichen Absicherung der Konstruktion. Befestigungspunkte für Sicherheitsaufhängungen können Sie dem Diagramm auf der rechten Seite entnehmen.

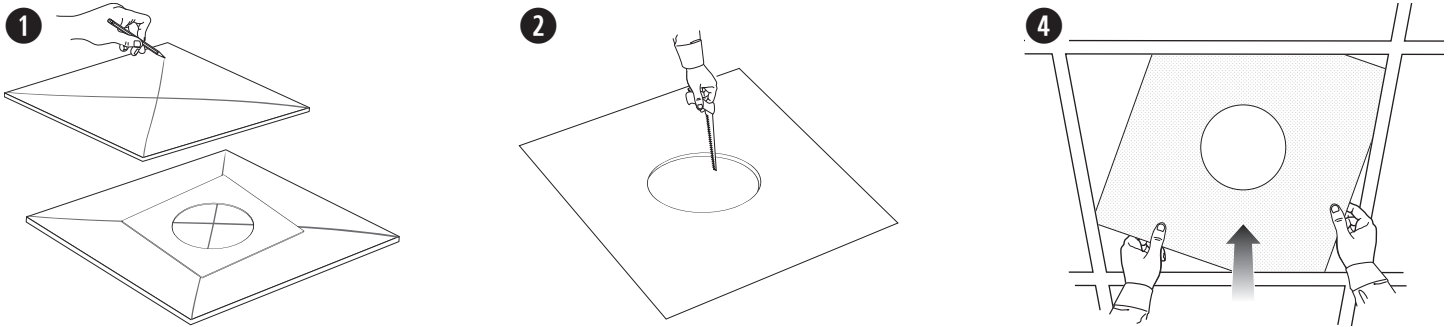
Befolgen Sie bei der Montage zusätzlicher Sicherheitsmechanismen die Anweisungen des Herstellers.



Vorbereitung der Tile Bridge-Montage

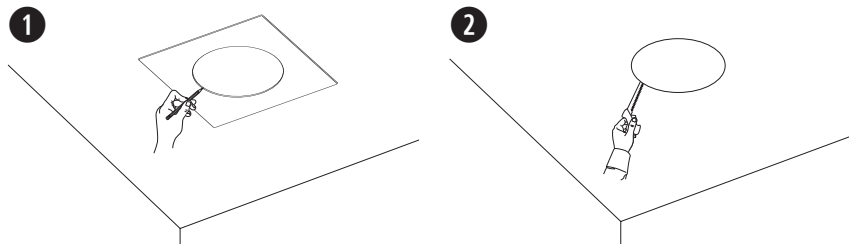
Deckenplatte

1. Entfernen Sie die Deckenplatte und zeichnen Sie unter Verwendung der Schablone den Ausschnitt für den Lautsprecher auf die Platte. Um die Schablone mittig aufzulegen, verbinden Sie zunächst die Eckpunkte der Platte zu einem „X“ und richten Sie anschließend die Schablone anhand des Schnittpunkts aus.
2. Schneiden Sie den Ausschnitt in die Platte.
3. Montieren Sie die Tile Bridge. Anweisungen zur Montage einer Tile Bridge finden Sie in der Installationsanleitung für die entsprechende Tile Bridge unter **PRO.BOSE.COM**.
4. Setzen Sie die Deckenplatte wieder ein.



Feste Decken

1. Verwenden Sie die Schablone, um den Ausschnitt auf der Deckenplatte aufzuzeichnen.
2. Schneiden Sie die Öffnung in die Deckenplatte.
3. Montieren Sie die Tile Bridge. Anweisungen zur Montage einer Tile Bridge finden Sie in der Installationsanleitung für die entsprechende Tile Bridge unter **PRO.BOSE.COM**.



Installation in durchgängig festen Decken mithilfe einer Rough-in-Pan-Montageplatte (Neubauten)

Informationen zum Installieren einer Rough-in-Pan-Montageplatte finden Sie in der entsprechenden DesignMax und FreeSpace Anleitung unter **PRO.BOSE.COM**. Befolgen Sie nach der Installation der Rough-in-Pan-Montageplatte die Anleitung unter **Befestigung des Lautsprechers** auf Seite 28.

Verankerungspunkt für Keramikanschluss

Die FreeSpace FS2C Lautsprecher sind mit einem optionalen Keramikanschluss kompatibel. Die Position der Verankerungspunkte für einen Keramikanschluss ist in der Abbildung dargestellt. Weitere Informationen zum Keramikanschluss finden Sie in der Installationsanleitung für Keramikanschlüsse unter **PRO.BOSE.COM**.

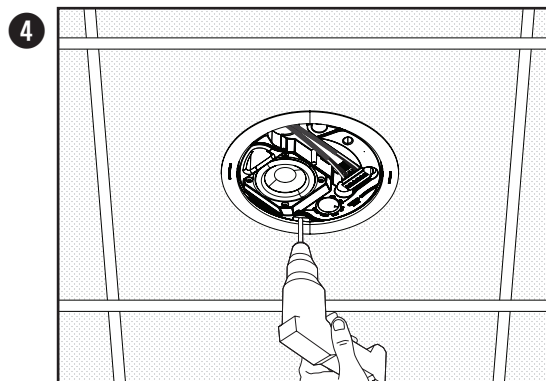
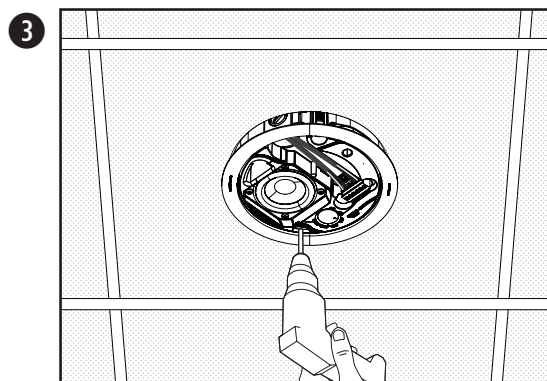
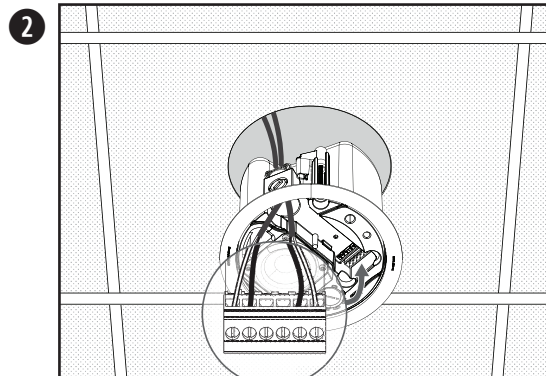
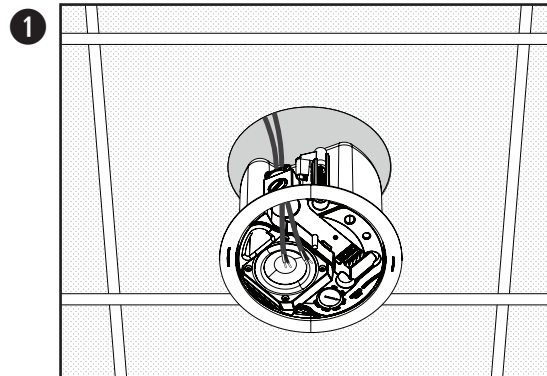


Befestigung des Lautsprechers

1. Führen Sie das Lautsprecherkabel durch die Kabelaussparung.
2. Schließen Sie das Kabel an den Anschluss an und führen Sie den Anschluss ganz in die den Lautsprecher ein. Ziehen Sie gegebenenfalls die Kabelverschraubung fest. Weitere Informationen zur Verkabelung finden Sie unter **Verkabeln des Lautsprechers** auf Seite 26.
3. Führen Sie den Lautsprecher in die Tile Bridge oder in die Rough-in-Pan-Montageplatte ein (siehe Seite 27) und drehen Sie die Halterungsschrauben (Gegen den Uhrzeigersinn) um eine halbe Umdrehung, um die Halterung zu lösen. Senken Sie den Lautsprecher langsam ab, bis die Halterung an der Tile Bridge oder in der Rough-in-Pan-Montageplatte einrastet.
4. Ziehen Sie die Halterungsschrauben fest, um den Lautsprecher zu fixieren.



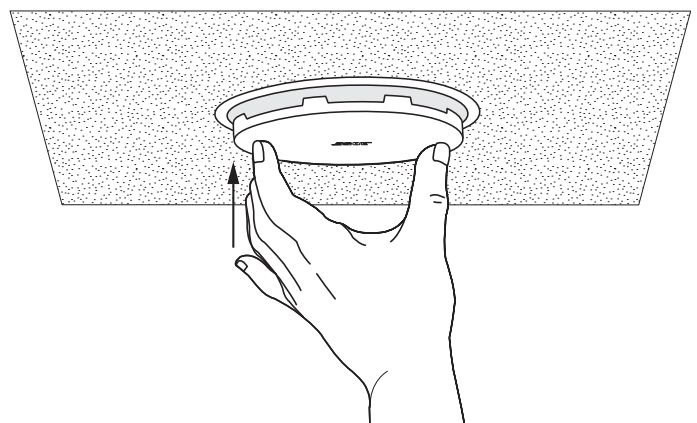
WICHTIGER HINWEIS: Ein Überdrehen oder eine Lockerung der Schrauben kann die Stabilität der Halterung, des Verankerungspunkts oder der Decke beeinträchtigen und möglicherweise zum Herunterfallen führen.



Anbringen der Frontabdeckung

Hinweis: Passen Sie vor dem Anbringen der Frontabdeckung die Einstellungen der Übertragerabgriffe an die für die Installation geeignete Einstellung an. Siehe **Lautsprechereinstellungen** auf Seite 26.

Nachdem Sie die für die Installation geeignete Ausrichtung des Logos ermittelt haben, richten Sie die Frontabdeckung an der Innenseite des Lautsprechergehäuses aus und drücken Sie sie nach oben, bis sie sicher befestigt ist. Drücken Sie bei Bedarf die Abdeckungsflanschen nach innen, damit sie richtig in das Lautsprechergehäuse passen.



Entfernen der Frontabdeckung

Führen Sie ein kleines Werkzeug (mit einem Durchmesser von maximal 1,5 mm) durch die Perforation am Rand der Frontabdeckung ein und ziehen Sie, um die Abdeckung zu lösen.



ACHTUNG: Verwenden Sie keinen Schraubendreher, um die Frontabdeckung vom Gehäuse abzuhebeln. Dies kann zu Schäden am Lautsprecher führen.

Sicherheitshinweise und gesetzliche Bestimmungen

Der Bose FreeSpace FS2C Lautsprecher hat die Testreihen bestanden und entspricht den folgenden Normen und Einsatzanforderungen:

Zulassung nach ANSI/UL 1480-2016, CAN/ULC-S541

Einsatz für Notrufdurchsagen im Brandfall - UL-Kategorie UUMW/UUMW7, Aktenzeichen S 3241, Kontrollnummer 42S9.
Nicht zur Verwendung mit DC-überwachten Systemen geeignet.

Geeignet für die Verwendung in Innenbereichen unter trockenen Bedingungen.

EN 54-24: 2008, Lautsprecher für Sprachalarmanlagen bei Branderkennungs- und Brandmeldesystemen in Gebäuden

Empfohlene Umgebung: A (Innenbereich)

Geeignet für die Installation mit Verkabelungsverfahren der Klasse 1, Klasse 2 oder Klasse 3 gemäß NFPA 70, National Electric Code, 2002, Artikel 640.

Geeignet für den Einsatz mit Verkabelungsmethoden für Feueralarmschaltkreise nach NFPA 70, National Electric Code, 2002, Artikel 760.

Geeignet für den sicheren Gebrauch in abgehängten Decken.

UL-2043, Brandprüfung für die Abgabe von Wärme und sichtbarem Rauch durch Einzelprodukte und ihre Zubehörteile in Klimaräumen.

NFPA 70, National Electric Code, 2002, Artikel 300-22 (c).

NFPA 90-A, 2002, Installation of Air Conditioning and Ventilation Systems, Paragraph 4.3.10.2.6.5.

EMC-Richtlinie 89/336/EEC und Artikel 10 (1) der Richtlinie, EN50081-1 und EN50082-1 gemäß CE-Prüfzeichen.

Der FreeSpace FS2C Lautsprecher wurde gemäß den Anforderungen der folgenden EU-Norm für kombinierte Systeme entwickelt:

British Standard Code of Practice BS 5839, Teil 8, bei Verwendung mit Keramikanschluss und Thermosicherung.

Getestet gemäß IEC60268-5.

Abstrahlwinkel (gemäß UL 1480) Vertikal: 145°/25° bei -3 dB; 170°/5° bei -6 dB

Horizontal: 140°/20° bei -3 dB; 170°/5° bei -6 dB

UL-Empfindlichkeit Leistungsband Schalldruckpegel dBA bei 3,1 m:

Leistung	CAN/ULC-S541 Kanada		Leistung	ANSI/UL 1480-2016 USA	
	Band	70 V		100 V	Band
1 W	77,3 dBA	—	1 W	71,9 dBA	—
2 W	80,0 dBA	79,8 dBA	2 W	74,5 dBA	74,9 dBA
4 W	82,4 dBA	82,6 dBA	4 W	77,2 dBA	77,5 dBA
8 W	84,8 dBA	84,6 dBA	8 W	79,8 dBA	79,9 dBA
16 W	86,7 dBA	86,3 dBA	16 W	82,1 dBA	82,2 dBA
16 Ω	86,0 dBA	—	16 Ω	82,6 dBA	—

Die angegebenen Schalldruckpegel entsprechen der Berichtsmethode gemäß UL 1480.

Frequenzgang:

Feueralarm (UL): 95 Hz bis 17000 Hz

Leggere e conservare tutte le istruzioni per la sicurezza e per l'uso.

Questo prodotto deve essere installato esclusivamente da installatori professionisti. Il presente documento ha lo scopo di fornire agli installatori professionisti le istruzioni di base per l'installazione di questo prodotto in tipici sistemi da installazione fissa. Prima dell'installazione, leggere questo documento e le avvertenze sulla sicurezza.

Non tentare di riparare il prodotto autonomamente. Per tutti gli interventi di assistenza, rivolgeti ai centri assistenza, agli installatori, ai tecnici, ai rivenditori o ai distributori autorizzati. Per contattare Bose Professional o per trovare il rivenditore o distributore più vicino, visita **PRO.BOSE.COM**.

1. Leggere queste istruzioni.
2. Conservare queste istruzioni.
3. Prestare attenzione a tutte le avvertenze.
4. Seguire tutte le istruzioni.
5. Non utilizzare l'apparecchio in prossimità di acqua.
6. Per la pulizia utilizzare un semplice panno asciutto.
7. Non ostruire le aperture di ventilazione. Installare il prodotto in conformità con le istruzioni fornite dal produttore.
8. Non installare in prossimità di fonti di calore, quali termosifoni, radiatori, stufe o altri apparecchi (compresi gli amplificatori) che generino calore.
9. Utilizzare solo sistemi di fissaggio/accessori specificati dal produttore.

AVVISI/AVVERTENZE

Questo prodotto contiene materiale magnetico. Rivolgersi al proprio medico per eventuali domande sui possibili effetti del prodotto sui dispositivi medici impiantati nel corpo umano.

Contiene pezzi di piccole dimensioni che possono rappresentare un pericolo di soffocamento. Non adatto per bambini di età inferiore a 3 anni.

- Questo prodotto è destinato esclusivamente all'utilizzo in ambienti interni.
- Tutti i prodotti Bose devono essere installati in conformità con gli standard locali, statali, federali e di settore. È responsabilità dell'installatore assicurare che l'installazione dei diffusori e del sistema di montaggio venga eseguita in conformità con le normative vigenti, compresi i regolamenti edilizi locali. Prima di installare il prodotto, chiedere informazioni all'autorità locale preposta.
- L'installazione o la sospensione non sicura di carichi pesanti può causare gravi lesioni alle persone e danni materiali. È responsabilità dell'installatore valutare l'affidabilità del metodo di installazione utilizzato per l'applicazione specifica. Solo installatori professionisti esperti possono installare un diffusore in posizione sospesa.
- Non posizionare il prodotto in punti dove possa essere esposto ad acqua o condensa.
- Non esporre questo prodotto a gocce o getti di liquidi e non porre oggetti contenenti liquidi quali vasi sopra o in prossimità di esso.
- Il prodotto non deve essere installato né utilizzato in aree di servizio o intrattenimento vicine all'acqua (ad es. piscine coperte, parchi acquatici al chiuso, sale con vasche riscaldate, saune, bagni turchi e piste di pattinaggio al chiuso).
- Non eseguire l'installazione su superfici non sufficientemente robuste o dietro le quali si nascondono elementi potenzialmente pericolosi, quali cavi elettrici o tubazioni idrauliche. Assicurarsi che la staffa sia installata da un installatore professionista e in conformità alle norme edilizie locali.
- Utilizzare solo componenti e accessori forniti o specificati da Bose per l'uso con i diffusori FreeSpace FS2C. Per informazioni sugli accessori compatibili, consultare la scheda tecnica del prodotto all'indirizzo **PRO.BOSE.COM**.
- Tenere il prodotto lontano dal fuoco e da fonti di calore. Non collocare sorgenti di fiamme libere (ad esempio, candele accese) sull'apparecchio o in prossimità di esso.
- Non apportare alterazioni non autorizzate al prodotto.
- Evitare di esporre il diffusore o i suoi componenti di montaggio a sostanze chimiche non specificate da Bose, inclusi a titolo esemplificativo lubrificanti, detergenti, spray per contatti e altri solventi a base di idrocarburi. L'esposizione a tali sostanze può danneggiare i materiali plastici e causare spaccature, con conseguenti rischi di caduta.
- Utilizzare esclusivamente un panno asciutto per pulire i diffusori. Non esporre il diffusore a saponi, detergenti, oli minerali o alcol, né ad altri detergenti o prodotti chimici.

Informazioni sulle normative

Non verniciare o modificare le finiture applicate in fabbrica.

Questo prodotto è conforme a tutti i requisiti pertinenti delle direttive UE. La dichiarazione di conformità completa è disponibile all'indirizzo: **www.Bose.com/compliance**.

Questo simbolo indica che il prodotto non deve essere smaltito con i rifiuti domestici, ma deve essere consegnato a una struttura di raccolta appropriata per il riciclaggio. Uno smaltimento e un riciclaggio corretti aiutano a preservare le risorse naturali, la salute e l'ambiente. Per ulteriori informazioni sullo smaltimento e sul riciclaggio di questo prodotto, rivolgersi alle autorità locali, al servizio di smaltimento dei rifiuti o al negozio presso il quale è stato acquistato.

Data di produzione: l'ottava cifra del numero di serie corrisponde all'anno di produzione; ad esempio "7" indica 2007 o 2017.

Importatore per la Cina: Bose Electronics (Shanghai) Company Limited, Part C, Plant 9, No. 353 North Riyang Road, China (Shanghai) Pilot Free Trade Zone

Importatore per l'UE: Bose Products B.V., Gorslaan 60, 1441 RG Purmerend, Paesi Bassi

Importatore per il Messico: Bose de México, S. de R.L. de C.V., Paseo de las Palmas 405-204, Lomas de Chapultepec, 11000 México, D.F. Per informazioni su importatori e servizi: +5255 (5202) 3545

Importatore per Taiwan: Bose Taiwan Branch, 9F-A1, No. 10, Section 3, Minsheng East Road, Taipei City 104, Taiwan. N. telefono: +886-2-2514 7676

Bose, DesignMax e FreeSpace sono marchi registrati di Bose Corporation.

Sede principale di Bose Corporation: 1-877-230-5639

©2020 Bose Corporation. Nessuna parte di questo documento può essere riprodotta, modificata, distribuita o usata in altro modo senza previa autorizzazione scritta.

Informazioni sulla garanzia

Questo prodotto è coperto da una garanzia limitata. Per i dettagli sulla garanzia, visitare **PRO.BOSE.COM**.

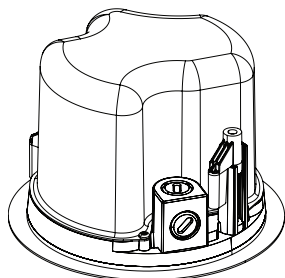
Specifiche di prodotto

Tensione d'ingresso: 70 V/100 V

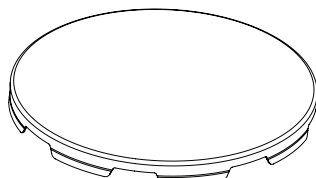
Impedenza: 16 Ω, 16 W

Potenze: (70 V): 1W, 2W, 4W, 8W, 16W; (100 V): 2W, 4W, 8W, 16W

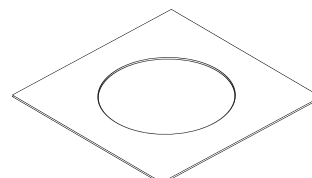
Contenuto della confezione



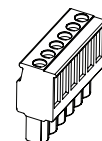
2 pz.



2 pz.

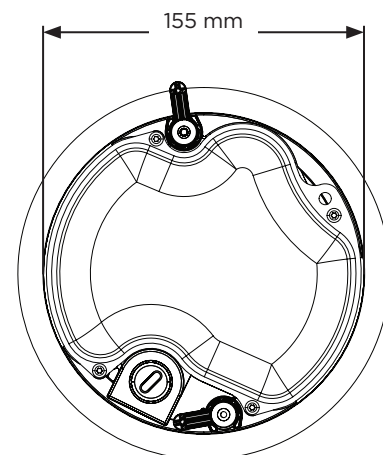
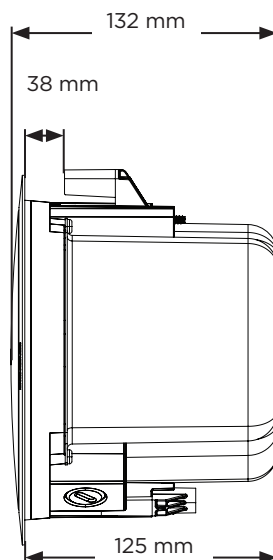
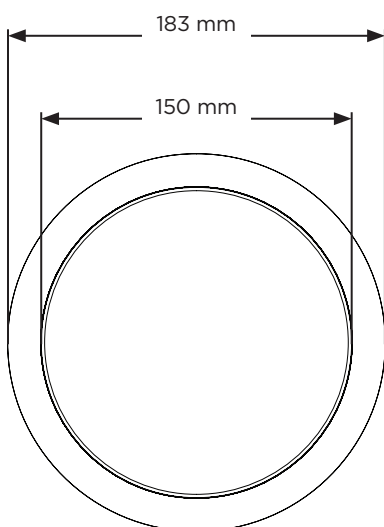


1 pz.



2 pz.

Dimensioni del prodotto



Specifiche tecniche

Per ulteriori specifiche, consultare la scheda tecnica del diffusore FreeSpace FS2C all'indirizzo PRO.BOSE.COM. Per le specifiche EN 54-24 (inclusa EQ esterna obbligatoria), leggere le valutazioni di certificazione FreeSpace FS2C EN 54-24 (AM857600 Rev. 00) all'indirizzo PRO.BOSE.COM.

Caratteristiche fisiche	
Dimensioni del prodotto	Diametro del baffle: 183 mm
	Diametro cabinet: 155 mm
	Profondità backcan: 125 mm
Dimensione del foro	165 mm
Spessore massimo del controsoffitto	38 mm
Peso netto del diffusore con griglia (singolo)	1,63 kg
Peso di spedizione (coppia)	4,40 kg
Dati ambientali	Solo per interni

Informazioni importanti sull'installazione



Prima di installare il diffusore, consultare la sezione **Istruzioni importanti sulla sicurezza** a pagina 30.



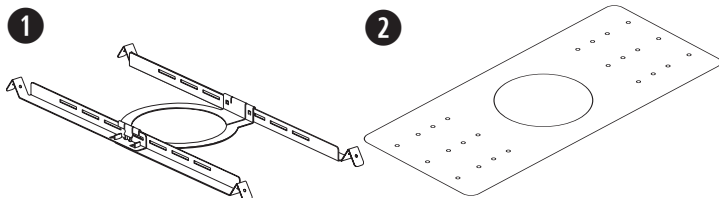
Per le applicazioni di segnalazione incendi ed evacuazioni, certificazione ambientale IP21C secondo EN 54-24.

Opzioni di installazione

Opzioni ed accessori di installazione

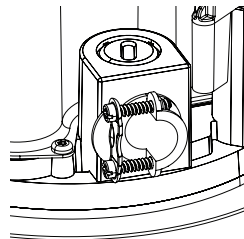
Per l'installazione è necessario uno dei seguenti elementi.
Per istruzioni sull'installazione, consultare la guida all'installazione
pertinente all'indirizzo **PRO.BOSE.COM**.

- ❶ Tile bridge regolabile (non incluso)
- ❷ Rough-in Pan (non incluso)

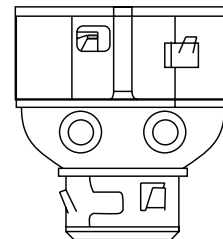


Raccordo del tubo protettivo

Se si utilizza un tubo protettivo metallico flessibile, usarlo con un
raccordo da 9,5 mm o un connettore doppio (duplex) da 9,5 mm.
Nota: raccordi del tubo protettivo non in dotazione.



Ingresso singolo
da 9,5 mm



Ingresso duplex/
ad anello da 9,5 mm

Scelta di un metodo di installazione

❶ Passacavo superiore

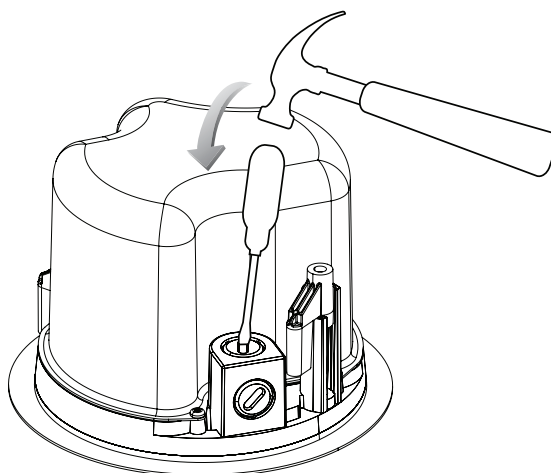
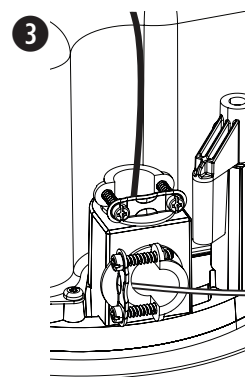
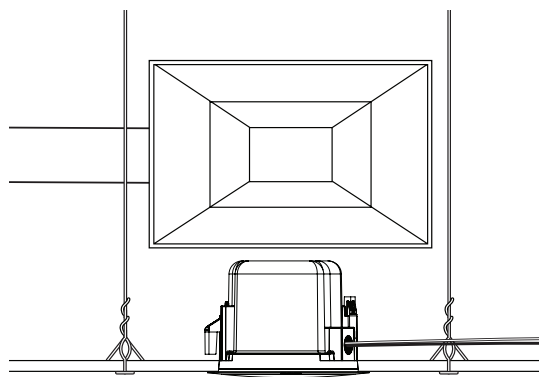
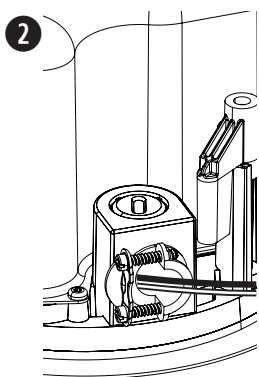
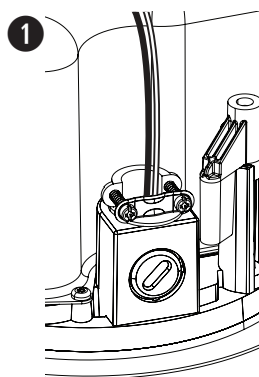
Utilizzare il passacavo superiore quando c'è spazio disponibile sopra il soffitto.

❷ Passacavo laterale

Utilizzare il passacavo laterale quando lo spazio sopra il soffitto è limitato.

❸ Entrambi i passacavi

Utilizzare entrambi i passacavi quando è richiesto uno schema di cablaggio di ingresso e uscita del segnale indipendente e c'è spazio disponibile sopra il soffitto.



Cablaggio del diffusore

Diametro dei cablaggi

Il diffusore FreeSpace FS2C è concepito esclusivamente per l'impiego con cavi di dimensioni comprese tra 18 AWG (0,8 mm²) e 14 AWG (2,1 mm²).

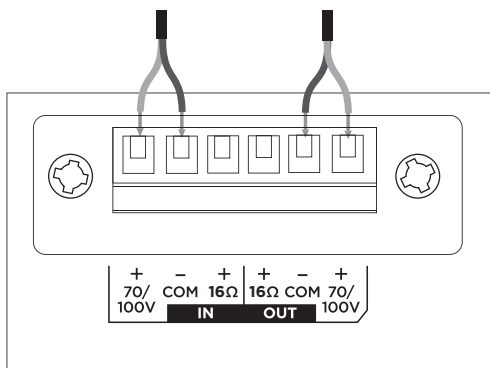
Schemi di collegamento

Scoprire 6 mm di filo non rivestito da collegare ai terminali.

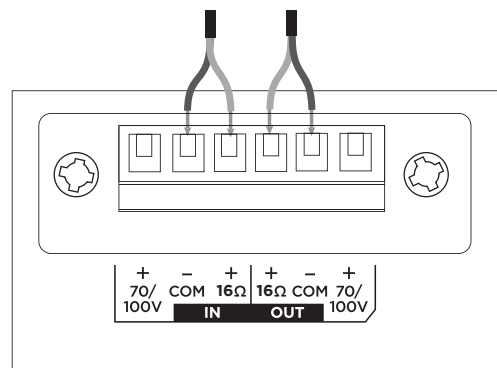
Nota: il metodo di cablaggio deve essere conforme alle seguenti normative.

In Canada, CSA C22.1, Canadian Electrical Code, Part I, Safety Standard for Electrical Installations, Section 32.

Negli Stati Uniti, National Electrical Code, NFPA 70, e National Fire Alarm and Signaling Code, NFPA 72.

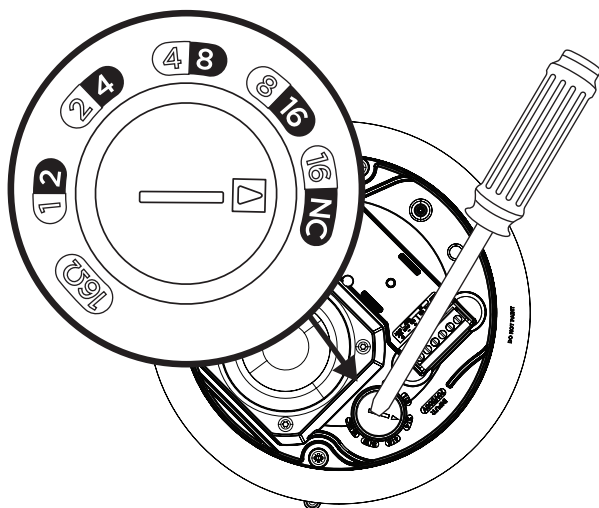


70/100 V



16 Ω

Impostazioni del diffusore



70 V					
1W	2W	4W	8W	16W*	16 Ω
2W	4W	8W	16W	NC**	
100 V					

*Impostazioni di fabbrica **NC: nessuna connessione (non utilizzare)

Impostazione potenza del trasformatore

Selezionare la potenza ruotando il potenziometro tramite un cacciavite a testa piatta.

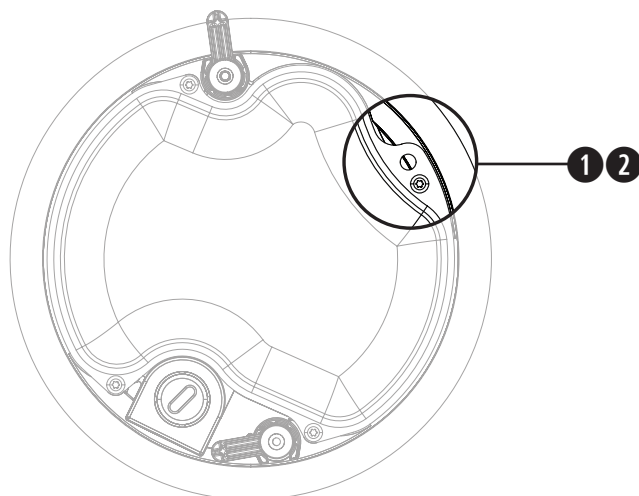
Preparazione dell'installazione

Uso di un cavo di sicurezza

Alcune normative edilizie regionali richiedono l'impiego di un secondo metodo di fissaggio dei diffusori alle strutture di supporto, allo scopo di garantire una maggior sicurezza. Scegliere posizione, metodo e accessori di fissaggio conformi alle normative edilizie locali.

Bose raccomanda l'utilizzo di (1) un cavo di frenatura o di (2) un cavo di sicurezza come meccanismo di fissaggio secondario. Vedere lo schema riportato a destra per i punti di fissaggio di sicurezza.

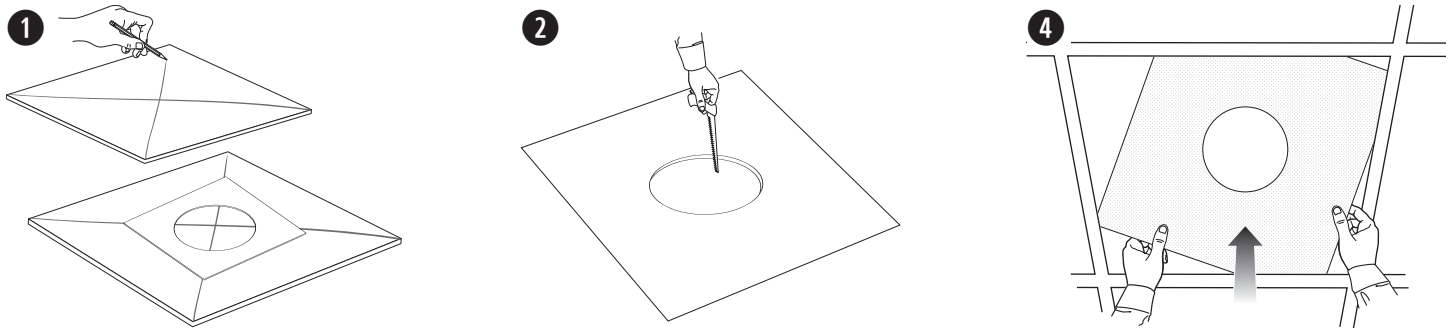
Attenersi alle istruzioni del produttore per qualsiasi meccanismo di fissaggio secondario utilizzato.



Preparazione dell'installazione del Tile Bridge

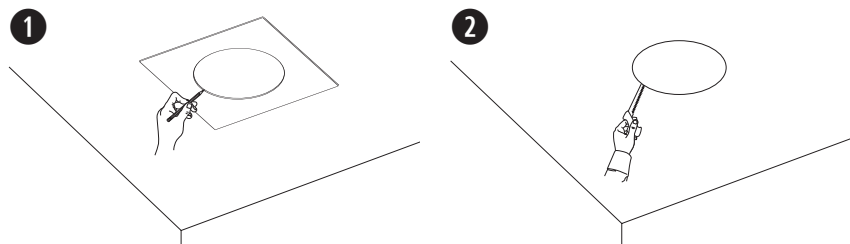
Pannello a soffitto

1. Rimuovere il pannello ed utilizzare la dima per tracciare il foro di inserimento del diffusore sul pannello stesso. Per centrare la dima rispetto al pannello, tracciare una X collegando gli angoli in diagonale e centrare il modello sul punto di intersezione.
2. Effettuare un foro nel pannello.
3. Installare il tile bridge. Per le istruzioni sull'installazione del tile bridge, consultare la guida all'installazione del tile bridge applicabile all'indirizzo **PRO.BOSE.COM**.
4. Reinstallare il pannello a soffitto.



Controsoffitto fisso

1. Utilizzare la dima per tracciare un foro sul soffitto.
2. Effettuare un foro nel soffitto.
3. Installare il tile bridge. Per le istruzioni sull'installazione del tile bridge, consultare la guida all'installazione del tile bridge applicabile all'indirizzo **PRO.BOSE.COM**.

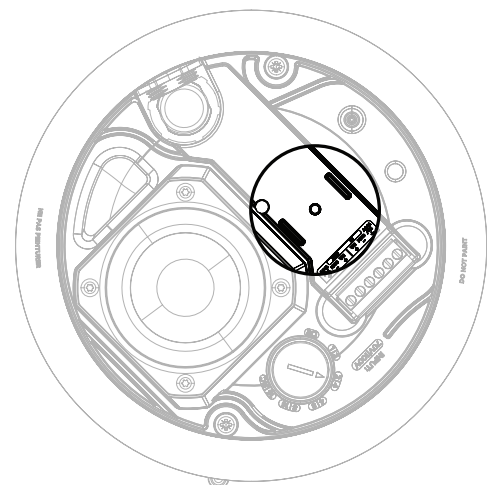


Installazione a controsoffitto fisso con rough-in pan (nuova costruzione)

Per informazioni sull'installazione del rough-in pan, consultare la guida all'installazione del rough-in pan DesignMax e FreeSpace all'indirizzo **PRO.BOSE.COM**. Una volta installato il rough-in pan, vedere **Montaggio del diffusore** a pag. 35.

Punto di fissaggio del morsetto ceramico

FreeSpace FS2C è compatibile con un terminale in ceramica opzionale. L'immagine a lato mostra la posizione di fissaggio di tale morsetto ceramico. Per ulteriori informazioni sul terminale in ceramica, consultare la guida all'installazione del terminale in ceramica all'indirizzo **PRO.BOSE.COM**.

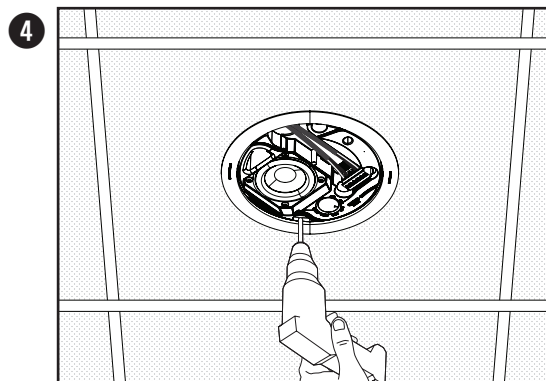
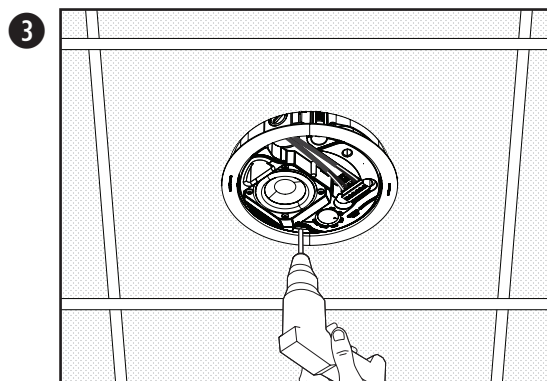
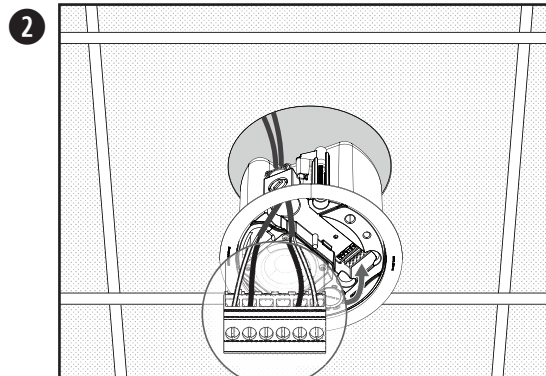
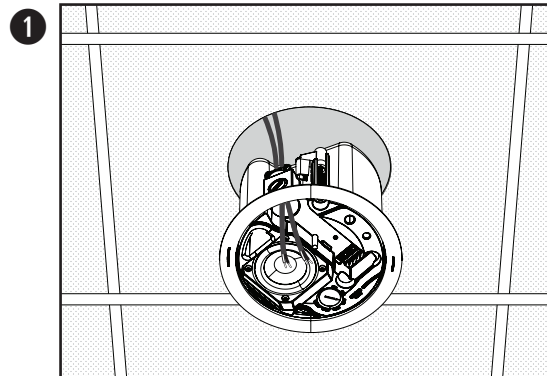


Installazione del diffusore

1. Far passare il cavo audio attraverso l'apposita apertura.
2. Collegare il connettore e inserirlo nel diffusore. Serrare il raccordo del tubo protettivo, se presente. Per informazioni sul cablaggio, vedere **Cablaggio del diffusore** a pag. 33.
3. Inserire il diffusore nel foro e nel tile bridge o nel rough-in pan (consultare pagina 34) e ruotare di mezzo giro (senso antiorario) le viti del braccio di ancoraggio per sganciare i bracci di ancoraggio. Abbassare lentamente il diffusore fino a quando i bracci di ancoraggio non si innestano sul tile bridge o sul rough-in pan.
4. Serrare le viti dei bracci di ancoraggio per fissare il diffusore.



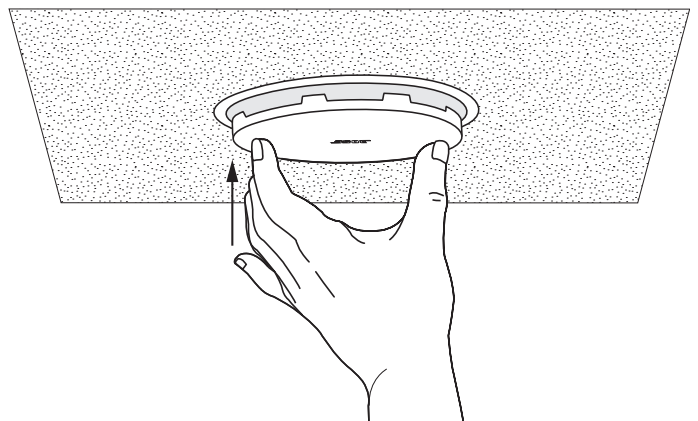
AVVERTENZA: un eccessivo serraggio o allentamento delle viti può danneggiare i bracci di ancoraggio, il punto di attacco dell'elemento di ancoraggio o il soffitto, con conseguenti rischi di caduta.



Fissaggio della griglia

Nota: prima di fissare la griglia, regolare le impostazioni di tapping del diffusore sull'impostazione appropriata per l'installazione. Consultare la sezione **Impostazioni del diffusore** a pagina 33.

Una volta stabilito l'allineamento corretto del logo per l'installazione, allineare la griglia alla parte interna del cabinet del diffusore e spingere verso l'alto fino a quando non è fissata in posizione. Se necessario, spingere le linguette della griglia verso l'interno per inserirle correttamente nel cabinet del diffusore.



Rimozione della griglia

Inserire un attrezzo di piccole dimensioni (non più di 1,5 millimetri di diametro) nel foro della griglia che si trova sul bordo e tirare per sganciare la griglia.



ATTENZIONE: non utilizzare un cacciavite per far leva sulla griglia e tentare di separarla dal cabinet. Ciò potrebbe danneggiare il diffusore.

Conformità alle norme di sicurezza

Il diffusore Bose FreeSpace FS2C ha superato i test ai quali è stato sottoposto, risultando conforme alle specifiche e alle applicazioni indicate di seguito:

Certificazione ANSI/UL 1480-2016, CAN/ULC-S541

Use Fire Protective Signaling - UL Categoria UUMW/UUMW7, numero file S 3241. Numero controllo 42S9.

Da non utilizzare con sistemi controllati in CC.

Adatto per l'uso in ambienti interni non caratterizzati da umidità.

EN 54-24: 2008, diffusore per sistemi di allarme vocale per Sistemi di rivelazione e di segnalazione d'incendio per edifici

Classe di protezione: A (applicazioni in interni)

Adatto per l'installazione mediante metodi di cablaggio Classe 1, Classe 2 o Classe 3 in conformità a NFPA 70, National Electric Code, 2002, Articolo 640.

Adatti per l'uso con metodi di cablaggio per circuiti di allarme antincendio in conformità a NFPA 70, National Electric Code, 2002, Articolo 760.

Adatto per l'uso in controsoffitti sigillati.

UL-2043, Test antincendio e rilascio di fumo visibile per prodotti discreti e relativi accessori installati in controsoffitti sigillati.

NFPA 70, National Electric Code, 2002, Articolo 300-22(c).

NFPA 90-A, 2002, Installazione di sistemi di condizionamento dell'aria e ventilazione, Paragrafo 4.3.10.2.6.5.

Direttiva EMC 89/336/EEC e articolo 10 (1) della direttiva, in conformità a EN50081-1 e EN50082-1, come indicato dal marchio CE.

Il diffusore FreeSpace FS2C è stato progettato in conformità ai requisiti previsti dalle seguenti normative europee relative ai sistemi combinati:

British Standard Code of Practice BS 5839, Sezione 8, se utilizzato con morsettiera in ceramica e fusibile termico.

Collaudato in conformità a IEC60268-5.

Angolo di copertura nominale (conformemente a UL 1480) Verticale: 145°/25° a -3 dB; 170°/5° a -6 dB

Orizzontale: 140°/20° a -3 dB; 170°/5° a -6 dB

Certificato UL sensibilità potenza impegnata, livello di pressione sonora dB a 3,1 metri:

Potenza impegnata	CAN/ULC-S541 Canada		Potenza impegnata	ANSI/UL 1480-2016 Stati Uniti	
	70 V	100 V		70 V	100 V
1 W	77,3 dBA	—	1 W	71,9 dBA	—
2 W	80,0 dBA	79,8 dBA	2 W	74,5 dBA	74,9 dBA
4 W	82,4 dBA	82,6 dBA	4 W	77,2 dBA	77,5 dBA
8 W	84,8 dBA	84,6 dBA	8 W	79,8 dBA	79,9 dBA
16 W	86,7 dBA	86,3 dBA	16 W	82,1 dBA	82,2 dBA
16 Ω	86,0 dBA	—	16 Ω	82,6 dBA	—

I livelli di pressione sonora forniti sono conformi al metodo di segnalazione specificato dalla certificazione UL 1480.

Risposta in frequenza:



Allarme antincendio (certificazione UL): da 95 Hz a 17000 Hz


Lees alle veiligheidsinstructies en de gebruiksaanwijzing door en bewaar deze.**Dit product is uitsluitend bestemd voor installatie door professionele installateurs!**


Dit document is bedoeld om professionele installateurs essentiële installatie- en veiligheidsrichtlijnen te bieden voor dit product in standaardssystemen voor vaste installatie. Lees dit document en alle veiligheidswaarschuwingen voordat u een systeem probeert te installeren.

Probeer dit product niet zelf te repareren. Neem voor alle onderhoud contact op met een geautoriseerd servicecenter, installateur, technicus, dealer of distributeur. Om contact op te nemen met Bose Professional en voor informatie over de dichtstbijzijnde dealer of distributeur, gaat u naar **PRO.BOSE.COM**.

1. Lees deze instructies door.
2. Bewaar deze instructies.
3. Neem alle waarschuwingen in acht.
4. Volg alle instructies.
5. Gebruik dit product niet in de buurt van water.
6. Alleen met een droge doek reinigen.
7. Zorg dat u de ventilatieopeningen niet blokkeert. Installeer het product volgens de instructies van de fabrikant.
8. Installeer het product niet in de buurt van warmtebronnen, zoals radiatoren, warmteroosters, kachels of andere apparaten (waaronder versterkers) die warmte produceren.
9. Gebruik uitsluitend aansluitonderdelen/accessoires die door de fabrikant worden gespecificeerd.


WAARSCHUWINGEN


 Dit product bevat magnetisch materiaal. Raadpleeg uw arts om te vragen of dit invloed kan hebben op uw geïmplanteerde medische hulpmiddel.

 Bevat kleine onderdelen die verstikkingsgevaar kunnen vormen. Niet geschikt voor kinderen jonger dan 3 jaar.

- Dit product is alleen bestemd voor binnengebruik.
- Alle Bose-producten moeten worden geïnstalleerd volgens de plaatselijke en landelijke voorschriften en industriënormen. Het is de verantwoordelijkheid van de installateur om ervoor te zorgen dat de installatie van de luidsprekers en het montagesysteem gebeurt met inachtneming van alle van toepassing zijnde voorschriften, waaronder plaatselijke bouwvoorschriften. Neem contact op met de juiste plaatselijke overheidsinstanties voordat u dit product installeert.
- Het onveilig monteren of ophangen van een zware last kan leiden tot beschadiging van uw eigendommen, ernstig letsel en overlijden. Het is de verantwoordelijkheid van de installateur om de betrouwbaarheid te evalueren van de gebruikte montagemethode. Alleen professionele installateurs met kennis van het juiste gereedschap en veilige montagetechnieken mogen luidsprekers hoog ophangen.
- Monteer het product niet op locaties waar het kan worden blootgesteld aan water of condensatie.
- Stel dit apparaat niet bloot aan druipende of spattende vloeistoffen en plaats geen met vloeistof gevulde voorwerpen, zoals vazen, op of bij het product.
- Dit product is niet bedoeld voor installatie of gebruik in overdekte ruimten voor wateractiviteiten (waaronder overdekte zwembaden, overdekte waterparken, stoomruimten, sauna's, bubbelbadruimtes en overdekte ijsbanen).
- Niet bevestigen aan oppervlakken die niet sterk zijn of die mogelijke risico's opleveren, bijvoorbeeld vanwege elektrische bedrading of waterleidingen. De beugel moet door een gekwalificeerde installateur worden geplaatst in overeenstemming met de lokale bouwvoorschriften.
- Gebruik alleen de hardware en accessoires die zijn meegeleverd of gespecificeerd door Bose voor gebruik met de FreeSpace FS2C luidsprekers. Raadpleeg voor informatie over compatibele accessoires het datasheet met technische gegevens op **PRO.BOSE.COM**.
- Houd het product uit de buurt van vuur en warmtebronnen. Plaats geen open vlam, zoals een brandende kaars, op of bij het product.
- Er mogen geen wijzigingen aan dit product worden aangebracht door onbevoegden.
- Stel de luidspreker of de montageonderdelen niet bloot aan chemische substanties die niet zijn gespecificeerd door Bose, met inbegrip van, maar niet beperkt tot smeermiddelen, reinigingsmiddelen, contactsprays of oplosmiddelen op basis van koolwaterstoffen. Blootstelling aan dergelijke stoffen kan nadelige gevolgen hebben voor het kunststof materiaal, wat kan leiden tot scheuren en een risico op vallen.
- Reinig de luidsprekers alleen met een droge doek. Stel de luidspreker niet bloot aan zeep, reinigingsmiddel, minerale olie, alcohol of andere reinigingsmiddelen of chemicaliën.

Wettelijk verplichte informatie**Verf de in de fabriek aangebrachte afwerkingen niet en pas deze niet aan.**

Dit product voldoet aan alle vereisten van de van toepassing zijnde EU-richtlijnen. De volledige conformiteitsverklaring kunt u vinden op: www.bose.com/compliance.



Dit symbool betekent dat het product niet mag worden weggegooid als huishoudelijk afval en naar een geschikt inzamelpunt voor recycling moet worden gebracht. Het op de juiste wijze afvoeren en recyclen helpt natuurlijke hulpbronnen, de menselijke gezondheid en het milieu te beschermen. Voor meer informatie over het afvoeren en recyclen van dit product neemt u contact op met de gemeente waar u woont, de afvalverwerkingsdienst of de winkel waar u dit product hebt gekocht.

Fabricagedatum: Het achtste cijfer in het serienummer geeft het fabricagejaar aan '7' is 2007 of 2017.

Importeur in China: Bose Electronics (Shanghai) Company Limited, Part C, Plant 9, No. 353 North Ruying Road, China (Shanghai) Pilot Free Trade Zone

Importeur in de EU: Bose Products B.V., Gorslaan 60, 1441 RG Purmerend, Nederland

Importeur in Mexico: Bose de México, S. de R.L. de C.V., Paseo de las Palmas 405-204, Lomas de Chapultepec, 11000 México, D.F. Gegevens importeur en service-informatie: +52 55 52 02 35 45

Importeur in Taiwan: Bose Taiwan Branch, 9F-A1, No.10, Section 3, Minsheng East Road, Taipei City 104, Taiwan. Telefoonnummer: +886 2 25 14 76 76

Bose, DesignMax en FreeSpace zijn handelsmerken van Bose Corporation.

Hoofdkantoor Bose Corporation: 1 877 230 5639

©2020 Bose Corporation. Niets in deze uitgave mag worden gereproduceerd, gewijzigd, gedistribueerd of op andere wijze worden gebruikt zonder voorafgaande schriftelijke toestemming.

Garantie-informatie

Dit product wordt gedekt door een beperkte garantie.

Ga naar **PRO.BOSE.COM** voor garantie-informatie.

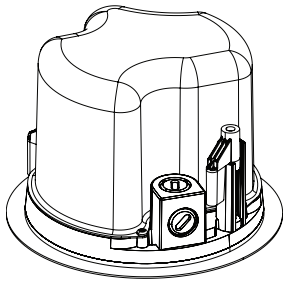
Productvermogen:

Ingangsspanning: 70 V/100 V

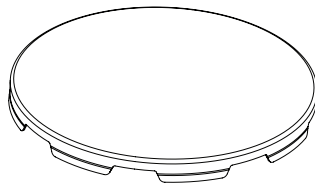
Impedantie: 16 Ω, 16 W

Stroomsterkte: (70 V): 1 W, 2 W, 4 W, 8 W, 16 W; (100 V): 2 W, 4 W, 8 W, 16 W

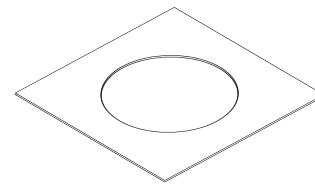
Inhoud van de doos



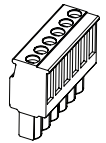
×2



×2

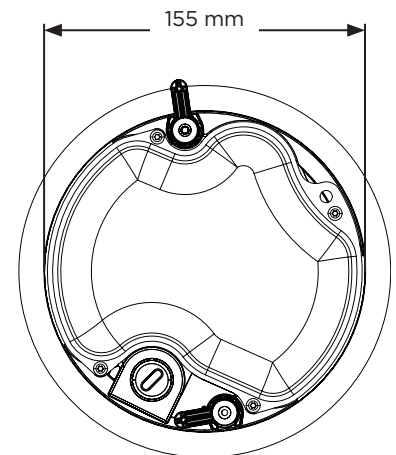
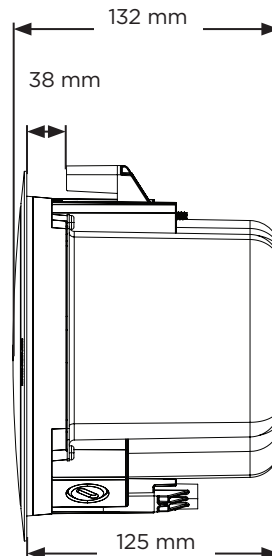
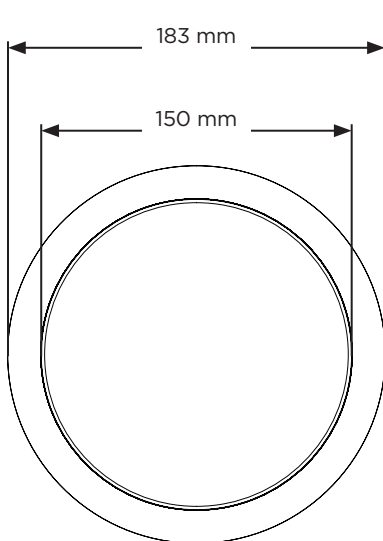


×1



×2

Afmetingen van het product



Technische specificaties

Raadpleeg voor aanvullende specificaties het datasheet met technische gegevens voor de FreeSpace FS2C op PRO.BOSE.COM. Raadpleeg voor EN 54-24-specificaties (inclusief de vereiste externe EQ) de FS2C EN 54-24-certificering voor FreeSpace (AM857600 Rev. 00) op PRO.BOSE.COM.

Fysiek	
Afmetingen van het product	Diameter klankkast: 183 mm
	Diameter behuizing: 155 mm
	Diepte achtermantel: 125 mm
Uit te snijden gat	165 mm
Maximale dikte plafond	38 mm
Nettogewicht, luidspreker met grille (enkel)	1,63 kg
Verzendgewicht (paar)	4,40 kg
Weerbestendigheid	Alleen binnen

Belangrijke installatie-informatie



Lees voordat u de luidspreker installeert **Belangrijke veiligheidsinstructies** op pagina 37.



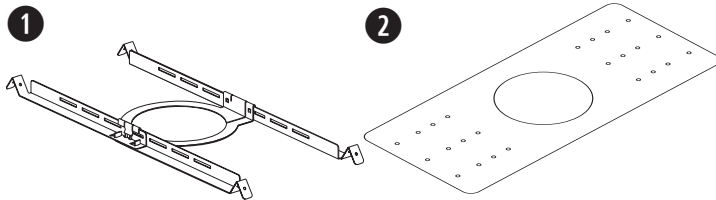
Voor **brand- en evacuatiesystemen** IP21C-beoordeling volgens EN 54-24.

Installatieopties

Installatieopties en -accessoires

Een van de volgende onderdelen is vereist voor installatie. Raadpleeg de bijbehorende installatiehandleiding voor accessoires op PRO.BOSE.COM voor installatie-instructies.

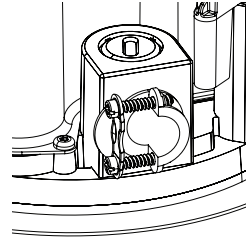
- 1 Verstelbare tegelbrug (niet meegeleverd)
- 2 Rough-in Pan (niet meegeleverd)



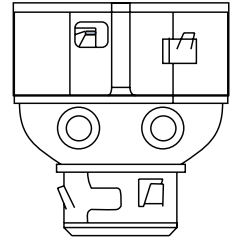
Geleiding

Gebruik de flexibele metalen geleider in combinatie met een leidinghulpstuk van 9,5 mm of een dubbele (duplex) connector van 9,5 mm.

Opmerking: Leidinghulpstukken zijn niet meegeleverd.



9,5 mm enkel in



9,5 mm duplex in/lus

Een installatiemethode kiezen

1 Uitsparing bovenkant

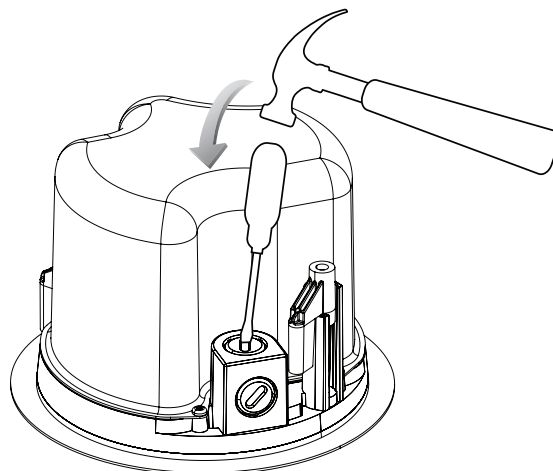
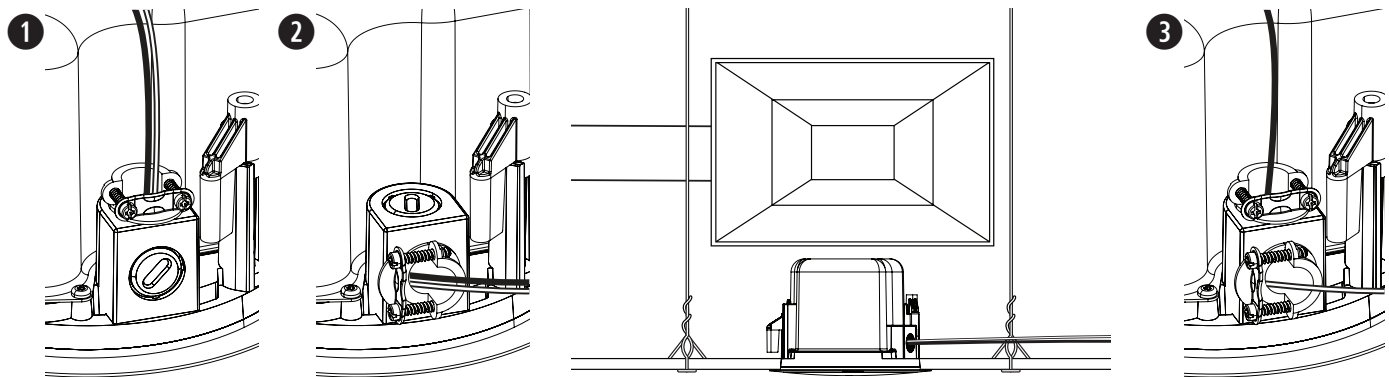
Gebruik de uitsparing op de bovenkant als er nog ruimte is boven het plafond.

2 Uitsparing zijkant

Gebruik de uitsparing op de zijkant als er weinig ruimte is boven het plafond.

3 Beide uitsparingen

Gebruik beide uitsparingen als een bekabelingsschema is vereist voor afzonderlijke signaalgangen en -uitgangen en er voldoende ruimte is boven het plafond.



De luidspreker bekabelen

Bekabelingsdiameter

De FreeSpace FS2C luidspreker is uitsluitend ontworpen voor bedrading van 18 AWG (0,8 mm²) tot 14 AWG (2,1 mm²).

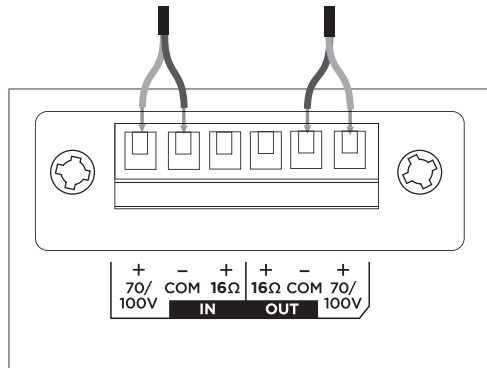
Aansluitdiagrammen

Strip zes millimeter van de kabelisolatie voor bevestiging van de kale kabel aan de aansluitingen.

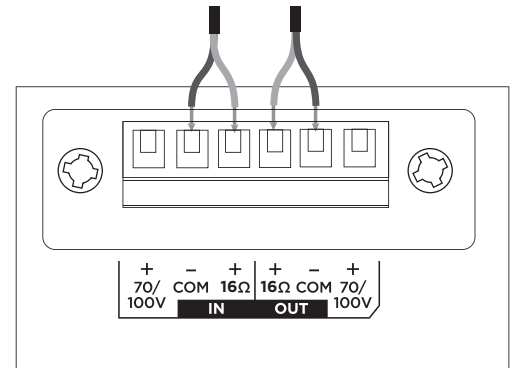
Opmerking: Bekabelingsmethode moet in overeenstemming zijn met:

In Canada: CSA C22.1, Canadian Electrical Code, Part I, Safety Standard for Electrical Installations, Section 32;

In de VS: National Electrical Code, NFPA 70 en National Fire Alarm and Signaling Code, NFPA 72.

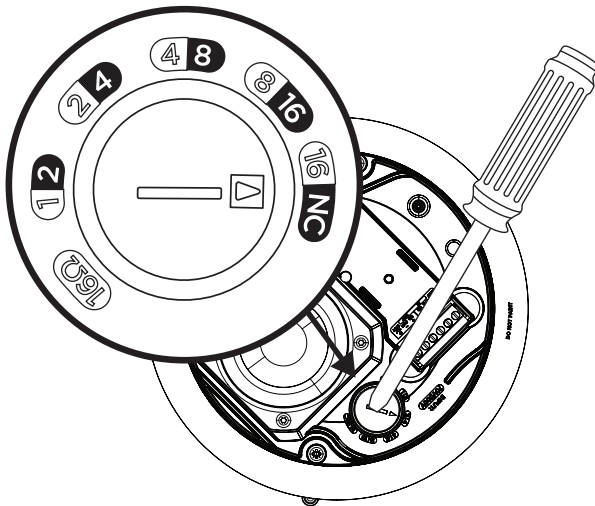


70/100 V



16 Ω

Luidsprekerinstellingen



70 V					
1 W	2 W	4 W	8 W	16 W*	16 Ω
2 W	4 W	8 W	16 W	NC**	
100 V					

* Fabrieksinstelling

** NC: No Connection (geen aansluiting; niet gebruiken)

Transformatorinstelling

Draai om de transformator in te stellen. Gebruik een schroevendraaier met platte kop.

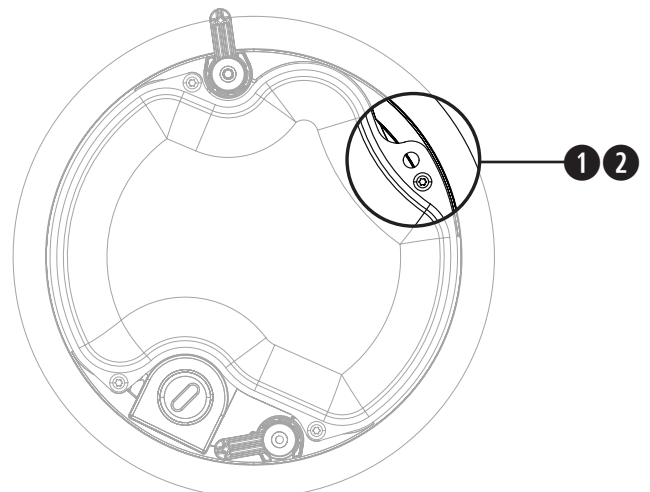
De installatie voorbereiden

Een veiligheidskabel gebruiken

In sommige regio's bent u volgens de bouwvoorschriften verplicht luidsprekers dubbel gezekeerd te bevestigen voor extra veiligheid. De gekozen locatie, montagewijze en gebruikte montagemiddelen moeten voldoen aan de geldende bouwvoorschriften en -verordeningen.

Bose raadt aan (1) een veiligheidsdraad of (2) veiligheidskabel te gebruiken als secundaire bevestigingsmethode. Raadpleeg het schema rechts voor bevestigingspunten.

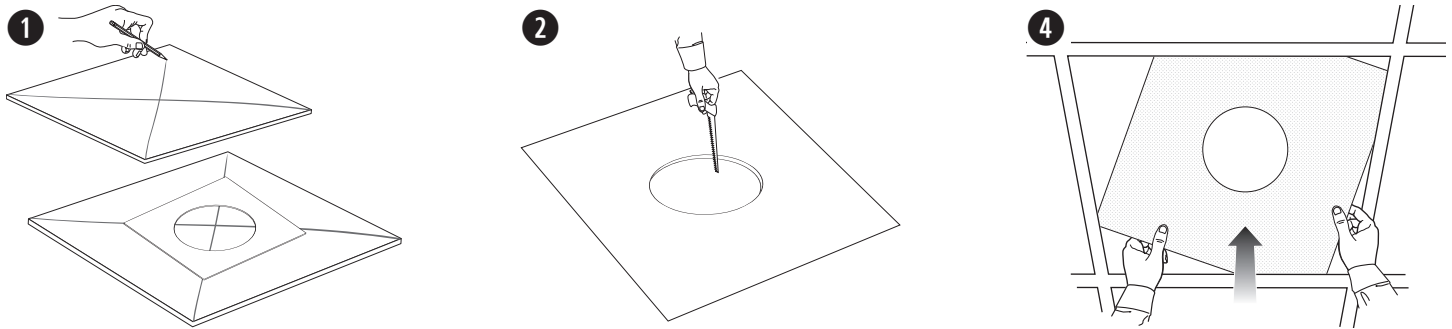
Volg de instructies van de fabrikant voor eventueel al ingebouwde secundaire beveiligingsmechanismen.



Een tegelbrug voorbereiden

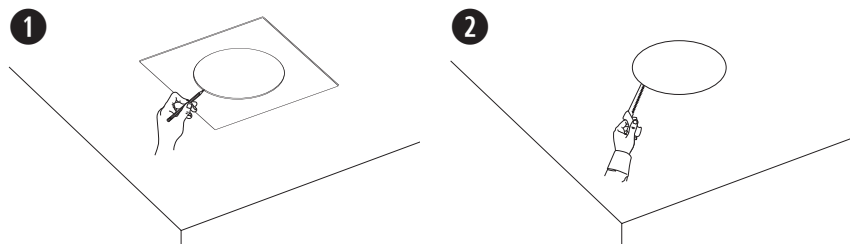
Plafondtegel

1. Verwijder de tegel en teken met behulp van het sjabloon een opening op de tegel. Teken een 'X' diagonaal vanuit de hoeken van de tegel, zodat u het sjabloon kunt centreren op het snijpunt.
2. Zaag een opening in de tegel.
3. Plaats de tegelbrug. Raadpleeg voor installatie-instructies de installatiehandleiding voor de desbetreffende tegelbrug op **PRO.BOSE.COM**.
4. Vervang de plafondtegel.



Hard plafond

1. Teken met behulp van het sjabloon een opening af in het plafond.
2. Zaag een opening in het plafond.
3. Plaats de tegelbrug. Raadpleeg voor installatie-instructies de installatiehandleiding voor de desbetreffende tegelbrug op **PRO.BOSE.COM**.



Installatie in een hard plafond met een Rough-in Pan (nieuwbouw)

Raadpleeg voor informatie over het installeren van de rough-in pan de installatiehandleiding voor de DesignMax- en FreeSpace rough-in pan op **PRO.BOSE.COM**. Raadpleeg na installatie van de inbouwplaat **De luidspreker bevestigen** op pagina 42.

Keramisch klemmenblok

De FreeSpace FS2C is compatibel met een optioneel keramisch klemmenblok. Raadpleeg het schema voor de locatie van het keramische klemmenblok. Raadpleeg voor meer informatie over het keramische klemmenblok de installatiehandleiding voor keramische klemmenblokken op **PRO.BOSE.COM**.

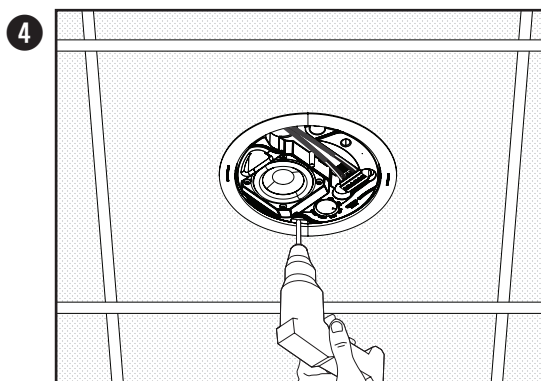
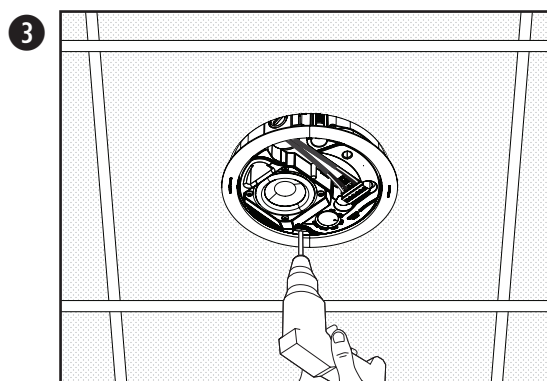
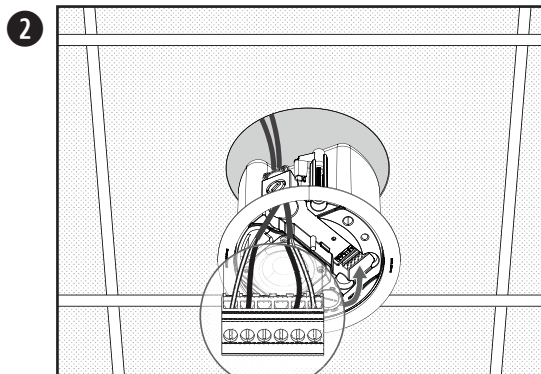
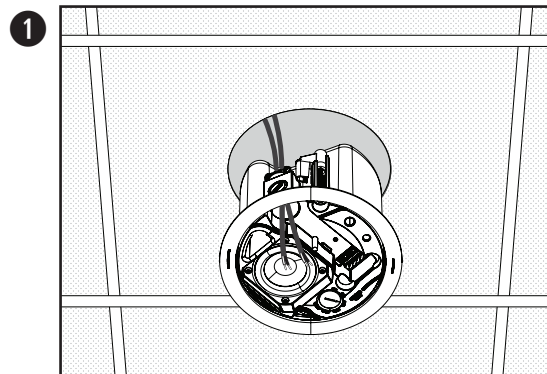


De luidspreker bevestigen

1. Haal de audiokabel door de kabelopening.
2. Bevestig de bekabeling aan de stekker en steek deze in de luidspreker. Draai indien van toepassing het leidinghulpstuk vast. Raadpleeg voor bekabelingsinformatie **De luidspreker bekabelen** op pagina 40.
3. Steek de luidspreker door de opening en in de tegelbrug of de inbouwplaat (zie pagina 41) en draai de ankerarmschroeven een halve slag (tegen de klok in) om de ankers te ontgrendelen. Laat de luidspreker voorzichtig zakken totdat de ankerarmen in de tegelbrug of rough-in pan grijpen.
4. Draai de ankerarmschroeven vast om de luidspreker te bevestigen.



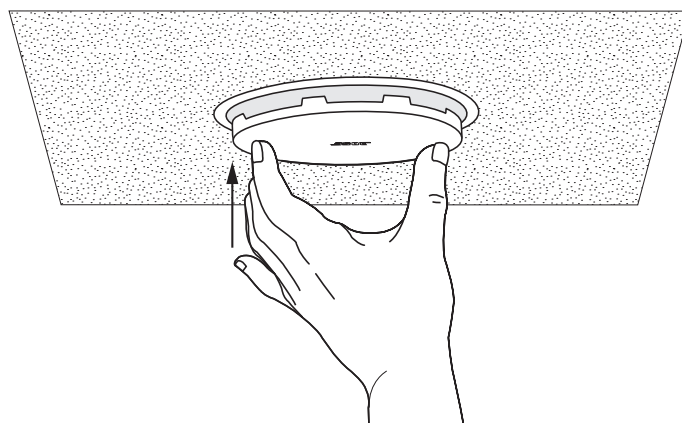
WAARSCHUWING: Wanneer u de schroeven te vast of juist niet vast genoeg draait, kunnen de ankerarmen, het ankerbevestigingspunt of het plafond beschadigen, wat kan leiden tot een risico op vallen.



De grille plaatsen

Opmerking: Voordat de grille wordt bevestigd, moet de juiste aftakking worden ingesteld. Zie **Luidsprekerinstellingen** op pagina 40.

Nadat de juiste positie voor het logo is bepaald, houdt u de grille evenwijdig aan de binnenkant van de luidsprekerbehuizing en drukt u de grille omhoog totdat deze vastklikt op zijn plaats. Duw indien nodig de lipjes van de grille wat naar binnen om de grille goed in de luidsprekerbehuizing te kunnen bevestigen.



De grille verwijderen

Steek een klein stuk gereedschap (diameter maximaal 1,5 mm) door de opening aan de rand van de grille en trek om deze te ontgrendelen.



LET OP: Gebruik geen schroevendraaier om de grille van de behuizing los te trekken. Dit kan de luidspreker beschadigen.

Veiligheid en naleving van regelgeving

De Bose FreeSpace FS2C luidspreker is getest en voldoet voor onderstaande specificaties en toepassingen:

Opgenomen in ANSI/UL 1480-2016, CAN/ULC-S541

Fire Protective Signaling Use - UL Category UUMW/UUMW7, dossiernummer S 3241. Controlenummer 42S9.

Niet voor gebruik met systemen met DC-spanningsbewaking.

Geschikt voor gebruik op droge locaties binnen.

EN 54-24: 2008, Luidspreker for Voice Alarm Systems for Fire Detection and Fire Alarm Systems for Buildings

Maximale geluidsdruk niveau (volgens EN 54-24): 77,2 dB bij 16 W, 4 m

Geschikt voor installatie middels bekabelingsmethoden Klasse 1, Klasse 2 of Klasse 3 conform NFPA 70, National Electric Code, 2002, artikel 640.

Geschikt voor gebruik met bekabelingsmethoden voor brandalarmen in overeenstemming met NFPA 70, National Electric Code, 2002, artikel 760.

Geschikt voor gebruik in luchtbehandelingsruimten.

UL-2043, Fire Test and Visible Smoke Release for Discrete Products and their Accessories Installed in Air Handling Spaces.

NFPA 70, National Electric Code, 2002, artikel 300-22 (c).

NFPA 90-A, 2002, Installation of Air Conditioning and Ventilation Systems, paragraaf 4.3.10.2.6.5.

EMC-richtlijn 89/336/EEG en artikel 10 (1) van de richtlijn in overeenstemming met EN50081-1 en EN50082-1, zoals aangegeven door het CE-keurmerk.

De FreeSpace FS2C luidspreker is ontworpen volgens de vereisten die zijn vastgelegd in onderstaande specificatie van Europese regelgeving voor combinatiesystemen:

British Standard Code of Practice BS 5839, deel 8, bij gebruik met het keramische klemmenblok en thermische zekering.

Getest volgens IEC60268-5.

Nominale dekkingshoek (volgens UL 1480) Verticaal: 145°/25° bij -3 dB; 170°/5° bij -6 dB
 Horizontaal: 140°/20° bij -3 dB; 170°/5° bij -6 dB

UL-gevoeligheid wattage aftakking geluidsdruk niveau dBA op 3,1 meter:

Wattage	CAN/ULC-S541 Canada		Wattage	ANSI/UL 1480-2016 VS		
	Aftakking	70 V		100 V	Aftakking	70 V
1 W		77,3 dBA	—	1 W	71,9 dBA	—
2 W		80,0 dBA	79,8 dBA	2 W	74,5 dBA	74,9 dBA
4 W		82,4 dBA	82,6 dBA	4 W	77,2 dBA	77,5 dBA
8 W		84,8 dBA	84,6 dBA	8 W	79,8 dBA	79,9 dBA
16 W		86,7 dBA	86,3 dBA	16 W	82,1 dBA	82,2 dBA
<hr/>						
16 Ω		86,0 dBA	—	16 Ω	82,6 dBA	—

Opgegeven SPL's zijn volgens de in UL 1480 vermelde rapportagemethode.

Frequentierespons:

Brandalarm (UL): 95 Hz - 17000 Hz

Les og ta vare på alle sikkerhets- og bruksinstruksjoner.

Dette produktet skal bare monteres av profesjonelle montører! Formålet med dette dokumentet er å gi profesjonelle montører grunnleggende monterings- og sikkerhetsveiledning for dette produktet i typiske fastmonteringsystemer. Les dette dokumentet og alle sikkerhetsadvarsler før du starter monteringen.

Ikke prøv å utføre vedlikehold på dette produktet selv. Henvis alt vedlikehold til autoriserte servicesentre, montører, teknikere, forhandlere eller distributører. Hvis du vil kontakte Bose Professional eller finne en forhandler eller distributør i nærheten, gå du til **PRO.BOSE.COM**.

1. Les disse instruksjonene.
2. Ta vare på disse instruksjonene.
3. Ta hensyn til alle advarsler.
4. Følg alle instruksjoner.
5. Ikke bruk dette apparatet i nærheten av vann.
6. Rengjør bare med en ren klut.
7. Ikke blokker ventilasjonsåpninger. Plasser i henhold til produsentens instruksjoner.
8. Ikke plasser produktet nær varmekilder som radiatorer, ventilasjonsgitter, ovner eller andre apparater (inkludert forsterkere) som produserer varme.
9. Bare bruk fester/tilbehør som er angitt av produsenten.

**ADVARSLER/FORHOLDSREGLER**

Dette produktet inneholder magnetisk materiale. Kontakt en lege hvis du vil finne ut om dette kan påvirke implantert medisinsk utstyr.



Inneholder små deler som kan utgjøre en kvelningsfare. Ikke egnet for barn under 3 år.

- Dette produktet er kun ment for innendørsbruk.
- Alle Bose-produkter må monteres i henhold til bransjeforskrifter og lokale og nasjonale forskrifter. Det er montørens ansvar å sikre at monteringen av høyttalere og monteringsystemet utføres i henhold til alle gjeldende forskrifter, inkludert lokale byggeforskrifter og bestemmelser. Kontakt de lokale myndighetene som har domsmyndighet før du monterer dette produktet.
- Utrygg montering eller opphenging av tunge gjenstander kan forårsake alvorlig skade eller død, samt skade på eiendom. Det er montørens ansvar å vurdere påliteligheten til alle monteringsmetodene de bruker. Takmonterte høyttalere skal bare monteres av profesjonelle montører med kunnskap om det riktige utstyret og trygge monteringsmetoder.
- Ikke monter produktet på steder der det kan bli eksponert for vann eller kondens.
- Ikke utsett produktet for dryppende vann eller vannsprut, og sett ikke gjenstander fylt med vann, for eksempel vaser, på eller i nærheten av produktet.
- Dette produktet er ikke ment for montering eller bruk i innendørs vannanlegg (inkludert, men ikke begrenset til, innendørs basseng, innendørs badeland, rom med badestamp, badstuer, damprom og innendørs skøytebaner).
- Må ikke monteres på overflater som ikke er solide, eller som har skjulte faremomenter bak seg, for eksempel elektriske kabler eller rør. Sørg for at braketten er montert av en kvalifisert montør og i henhold til lokale retningslinjer.
- Bruk bare utstyret og tilbehøret som følger med, eller som er spesifisert av Bose for bruk med FreeSpace FS2C-høyttalere. Hvis du vil ha informasjon om kompatibelt tilbehør, kan du se produktets tekniske dataark på **PRO.BOSE.COM**.
- Hold produktet unna ild og andre varmekilder. Ikke plasser kilder til bar ild, for eksempel tente stearinlys, på eller nær produktet.
- Ikke foreta uautoriserte endringer på dette produktet.
- Ikke eksponer høyttaleren eller monteringskomponentene for kjemikalier som ikke er spesifisert av Bose, inkludert, men ikke begrenset til, smøremidler, rengjøringsmidler, kontaktsprayer eller andre hydrokarbonbaserte løsemidler. Slike midler kan forårsake at plastr materialet brytes ned, som igjen kan forårsake sprekker og at høyttaleren faller ned.
- Bruk bare en tørr klut når du skal rengjøre høyttalere. Ikke bruk såpe, vaskemiddel, mineralolje, alkohol eller andre rengjøringsmidler eller kjemikalier når du rengjør høyttaleren.

Produktklassifisering:

Inngangsspenning: 70/100 V

Impedans: 16 Ω, 16 W

Strøm eller effekt: (70 V): 1W, 2W, 4W, 8W, 16W; (100 V): 2W, 4W, 8W, 16W

Informasjon om forskrifter**Ikke mal eller endre utførelse som er gjort av fabrikk.**

Produktet overholder alle kravene i gjeldende EU-direktiver. Du finner den fullstendige samsvarserklæringen på: **www.Bose.com/compliance**.



Dette symbolet betyr at produktet ikke må kasseres som husholdningsavfall, og at det skal leveres til en passende innsamlingsanlegg for gjenvinning. Riktig håndtering og gjenvinning bidrar til å beskytte naturressurser, helse og miljø. Hvis du vil ha mer informasjon om avfallshåndtering og resirkulering av dette produktet, kontakter du de lokale myndighetene, avfallsorganisasjonen eller butikken hvor du kjøpte dette produktet.

Produksjonsdato: Det åttende tallet i serienummeret viser produksjonsåret: 7 er 2007 eller 2017.

Importør i Kina: Bose Electronics (Shanghai) Company Limited, Part C, Plant 9, No. 353 North Riyang Road, Kina (Shanghai) pilofri handelssone

Importør i EU: Bose Products B.V., Gorslaan 60, 1441 RG Purmerend, Nederland

Importør i Mexico: Bose de México, S. de R.L. de C.V., Paseo de las Palmas 405-204, Lomas de Chapultepec, 11000 México, D.F. For informasjon om importør og service: +5255 (5202) 3545

Importør i Taiwan: Bose Taiwan Branch, 9F-A1, No. 10, Section 3, Minsheng East Road, Taipei City 104, Taiwan. Telefonnummer: +886-2-2514 7676

Bose, DesignMax og FreeSpace er varemerker som tilhører Bose Corporation.

Hovedkontoret til Bose Corporation: 1-877-230-5639

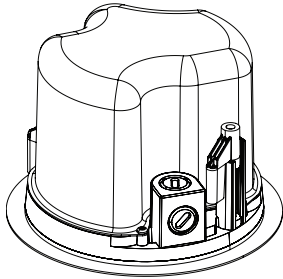
©2020 Bose Corporation. Ingen del av dette arbeidet kan bli reproduisert, endret, distribuert eller på annen måte brukt uten skriftlig tillatelse på forhånd.

Garantiinformasjon

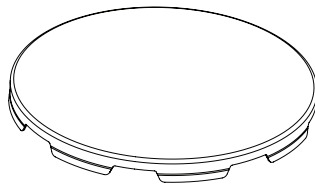
Dette produktet er dekket av en begrenset garanti.

Hvis du vil ha informasjon om garanti, gå du til **PRO.BOSE.COM**.

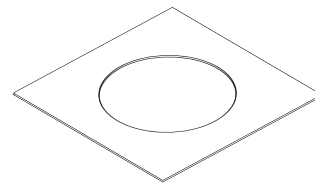
Innhold i pakken



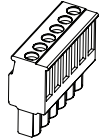
x2



x2

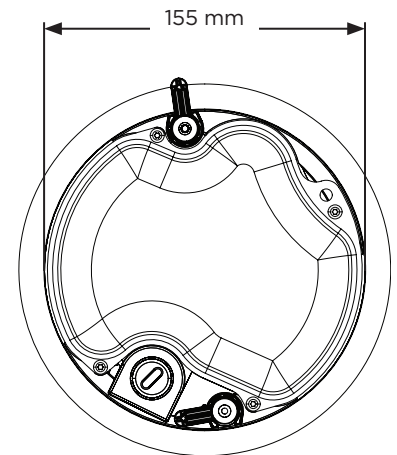
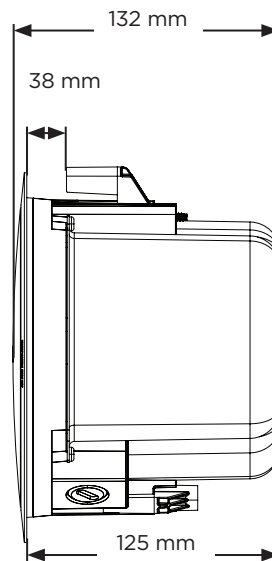
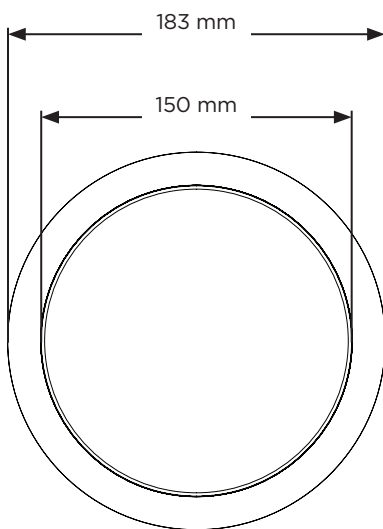


x1



x2

Produktmål



Tekniske spesifikasjoner

Hvis du vil ha flere spesifikasjoner, kan du se det tekniske dataarket for FreeSpace FS2C på PRO.BOSE.COM. For EN 54-24-spesifikasjoner (inkludert obligatorisk ekstern EQ) kan du se FreeSpace FS2C EN 54-24-sertifiserte klassifiseringer (AM857600 Rev. 00) på PRO.BOSE.COM.

Fysisk	
Produktmål	Platediameter: 183 mm
	Diameter på høyttalerhus: 155 mm
	Dybde på høyttalerbrønn: 125 mm
Utskåret hull	165 mm
Maksimal taktykkelse	38 mm
Nettovekt, høyttaler med grill (enkel)	1,63 kg
Forsendelsesvekt (par)	4,40 kg
Utendørs	Kun innendørs

Viktig informasjon om montering



Før du monterer høyttaleren, må du se gjennom **Viktige sikkerhetsinstruksjoner** på side 44.



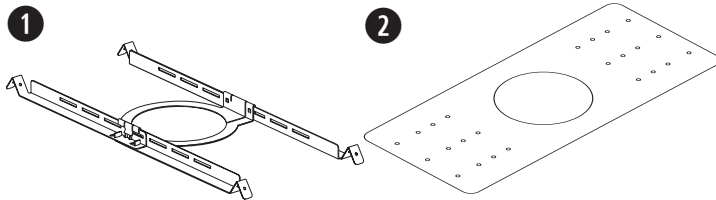
I forbindelse med **brann- og evakueringsvarslinger** er den miljøklassifisert for IP21C i henhold til EN 54-24.

Monteringsalternativer

Monteringsalternativer og tilbehør

En av følgende kreves for montering. Se den tilhørende monteringsveiledningen for tilbehør på PRO.BOSE.COM for å få monteringsinstruksjoner.

- 1 Justerbar monteringsbro (følger ikke med)
- 2 Rough-in Pan (følger ikke med)



Valg av monteringsmetode

1 Toppknockout

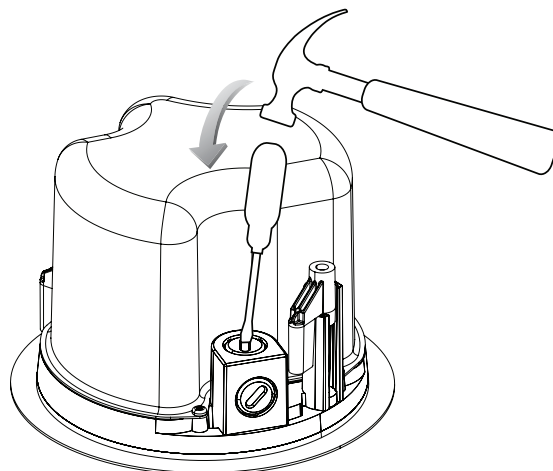
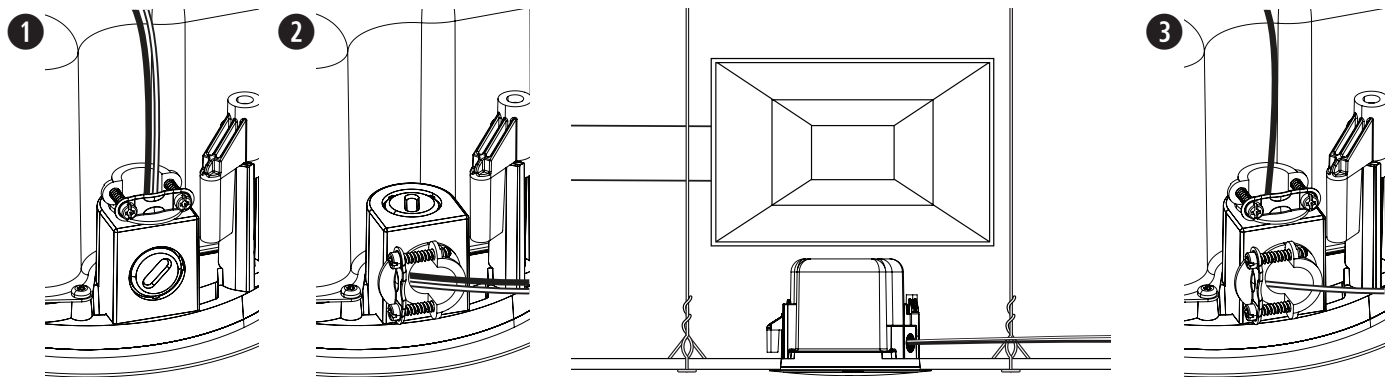
Bruk toppknockouten når det er ledig plass over taket.

2 Sideknockout

Bruk sideknockouten når det er begrenset med plass over taket.

3 Begge knockouter

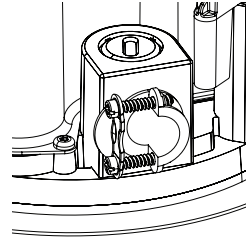
Bruk begge knockouter når et selvstendig ledningsopplegg med inn- og utsignal er nødvendig, og det er ledig plass over taket.



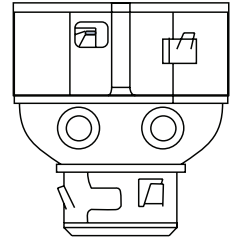
Rørforbindelse

Hvis du bruker et fleksibelt metallrør, må du bruke det med en $\frac{3}{8}$ -tommers rørforbindelse eller en $\frac{3}{8}$ -tommers dobbel kontakt.

Merk: Rørforbindelser følger ikke med.



$\frac{3}{8}$ -tommers enkel inngang



$\frac{3}{8}$ -tommers dobbel inngang / sløyfe

Kable høyttaleren

Kabeldiameter

FreeSpace FS2C-høyttaleren er utformet for å fungere kun med kabler på mellom 18 AWG (0,8 mm²) til 14 AWG (2,1 mm²).

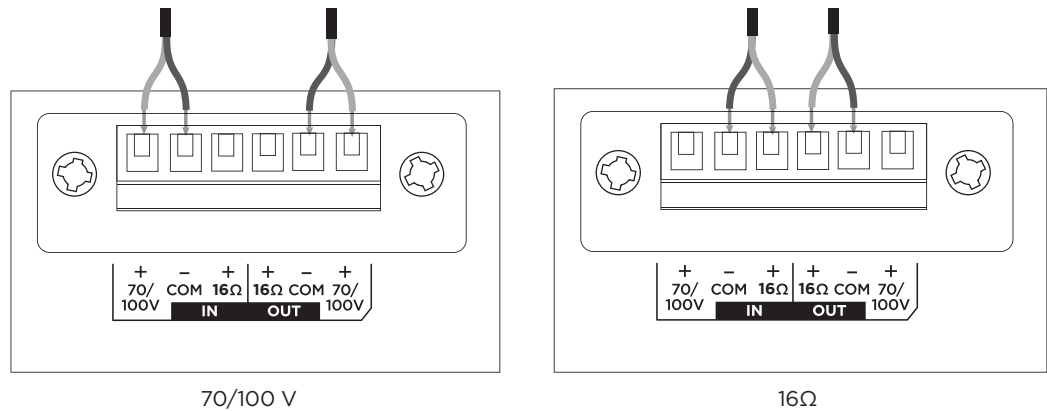
Koblingsdiagrammer

Eksponer seks millimeter (¼ tomme) av ledningen for å feste til terminalene.

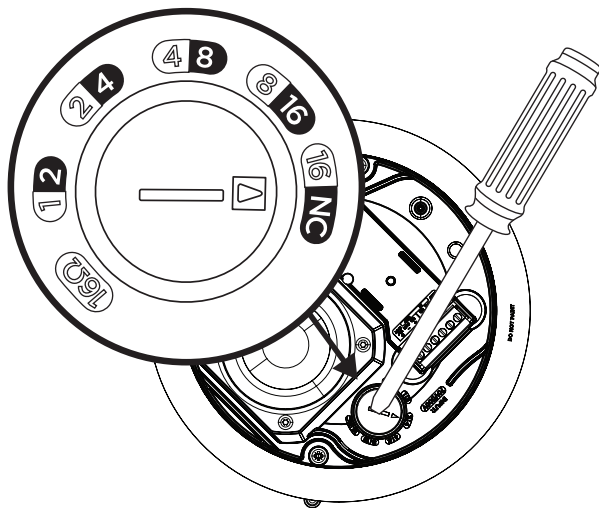
Merk: Kablingsmetoden må gjøres i henhold til:

I Canada, CSA C22.1, Canadian Electrical Code, Part I, sikkerhetsstandard for elektriske installasjoner, del 32;

I USA, The National Electrical Code, NFPA 70, og National Fire Alarm and Signaling Code, NFPA 72.



Høyttalerinnstillinger



70 V					
1 W	2 W	4 W	8 W	16 W*	16Ω
2 W	4 W	8 W	16 W	NC**	
100 V					

* Fabrikstandard

** NC: Ingen tilkobling (ikke bruk)

Innstilling av omformerkontakt

Vri for å stille inn kontakten. Bruk en skrutrekker med flatt hode.

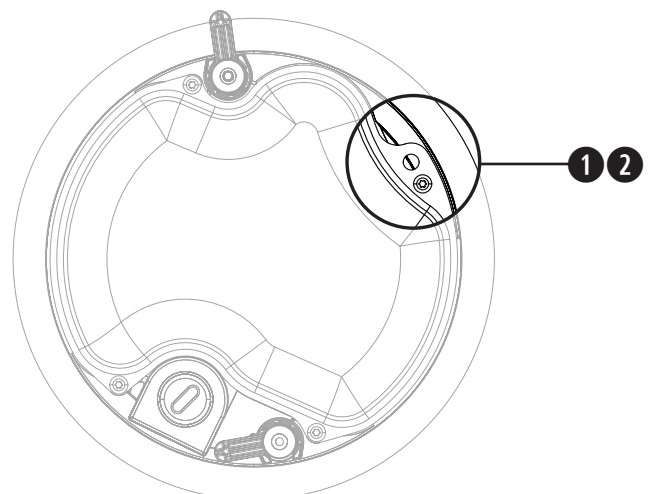
Forberede monteringen

Bruke en sikkerhetskabel

Noen regionale byggeforskrifter krever at du sikrer høyttalerne ytterligere ved hjelp av en sekundær sikringsmetode. Velg monteringssted, -metode- og -utstyr som samsvarer med lokale byggeforskrifter og bestemmelser.

Bose anbefaler at du bruker (1) en sikkerhetsledning, (2) en sikkerhetskabel som sekundær sikringsmekanisme. Se diagrammet til høyre for å se punkter om sikkerhetsfeste.

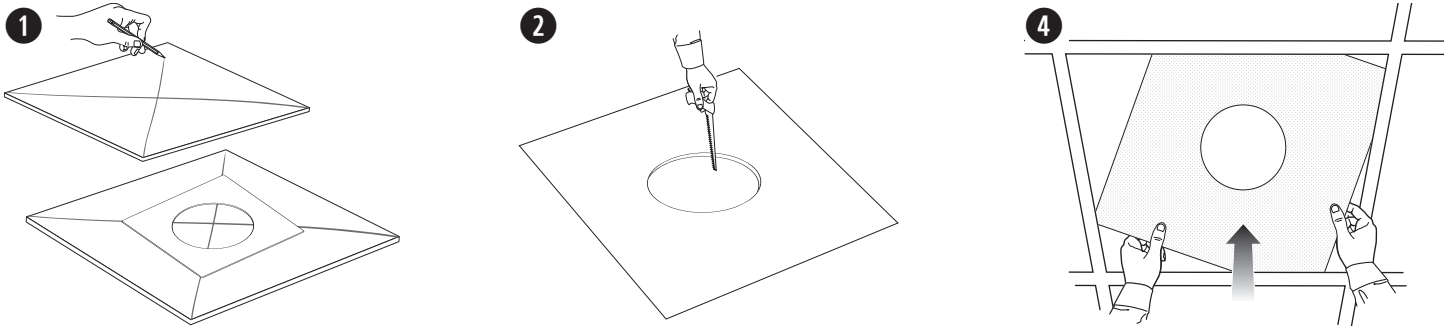
Følg produsentens instruksjoner for eventuelle sekundære festemekanismer som brukes.



Forberede en monteringsbro

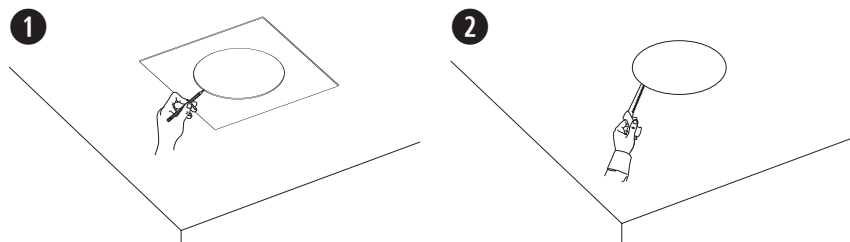
Takplate

1. Fjern platen, og bruk malen til å tegne et høyttalerhull på platen. Hvis du vil plassere malen midt på platen, tegner du en X ved å streke opp diagonale linjer mellom hjørnene og plassere malen på krysningspunktet.
2. Skjær et hull i platen.
3. Monter monteringsbroen. Hvis du vil ha instruksjoner om hvordan du monterer en monteringsbro, kan du se monteringsveiledningen for riktig monteringsbro på **PRO.BOSE.COM**.
4. Skift ut takplaten.



Hardt tak

1. Bruk malen til å tegne opp et hull i taket.
2. Skjær et hull i taket.
3. Monter monteringsbroen. Hvis du vil ha instruksjoner om hvordan du monterer en monteringsbro, kan du se monteringsveiledningen for riktig monteringsbro på **PRO.BOSE.COM**.

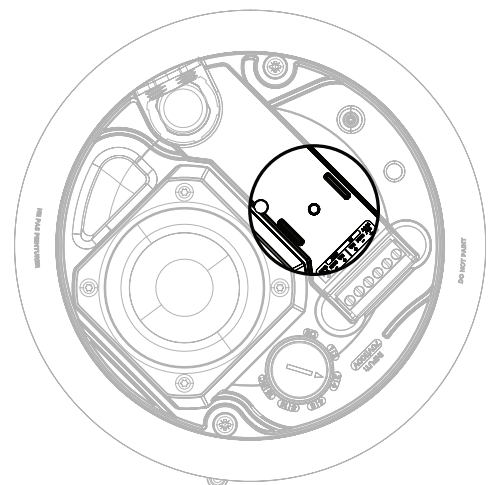


Montering i hardt tak ved hjelp av Rough-in Pan (ny konstruksjon)

Hvis du vil ha informasjon om hvordan du monterer en rough-in pan, kan du se monteringsveiledningen for DesignMax og FreeSpace Rough-in Pan på **PRO.BOSE.COM**. Når rough-in pan er montert, kan du se **Montere høyttaleren** på side 49.

Keramikkfestepunkt

FreeSpace FS2C er kompatibel med ett valgfritt keramikkfestetilbehør. Se diagrammet for plasseringen av keramikkfestepunktet. Hvis du vil ha mer informasjon om keramikkfestet, kan du se monteringsveiledningen for keramikkfestet på **PRO.BOSE.COM**.

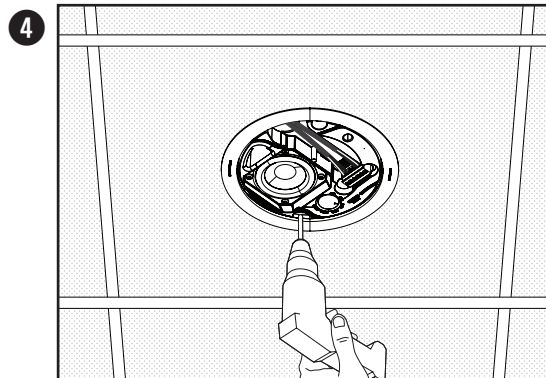
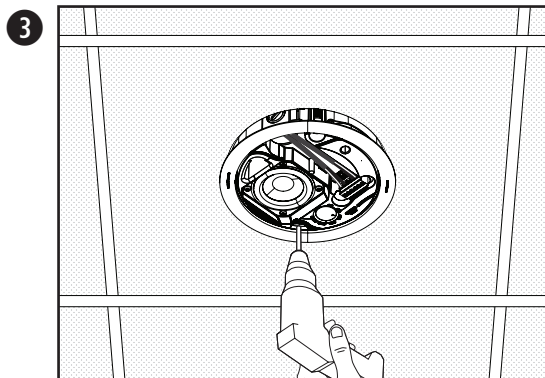
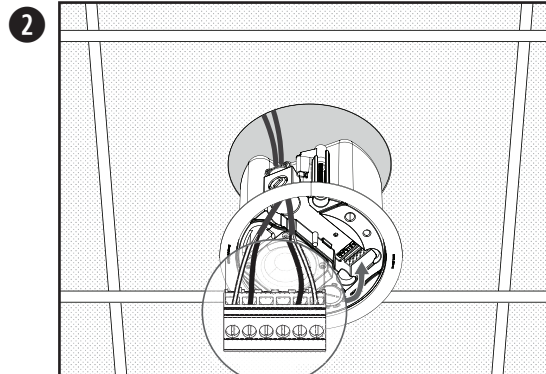
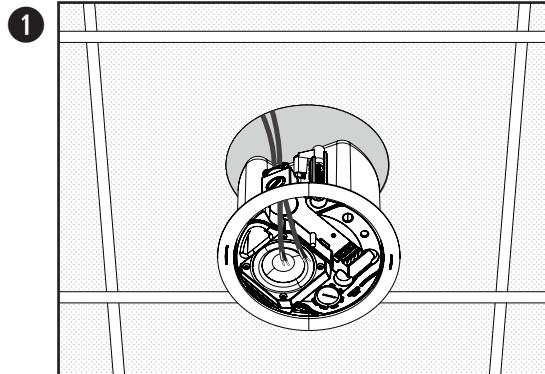


Montere høyttaleren

1. Tre lydkabelen gjennom kabelåpningen.
2. Sett ledningene i kontakten og kontakten i høyttaleren. Fest rørforbindelsen hvis nødvendig. Hvis du vil ha mer informasjon om kabling, kan du se **Kable høyttaleren** på side 47.
3. Før høyttaleren gjennom hullet og inn i monteringsbroen eller rough-in pan (se side 48) og vri skruene til ankerarmen (mot klokken) en halv runde for å løse ankerarmene. Senk høyttaleren sakte til ankerarmene får tak i monteringsbroen eller rough-in pan.
4. Stram skruene på ankerarmen for å feste høyttaleren.



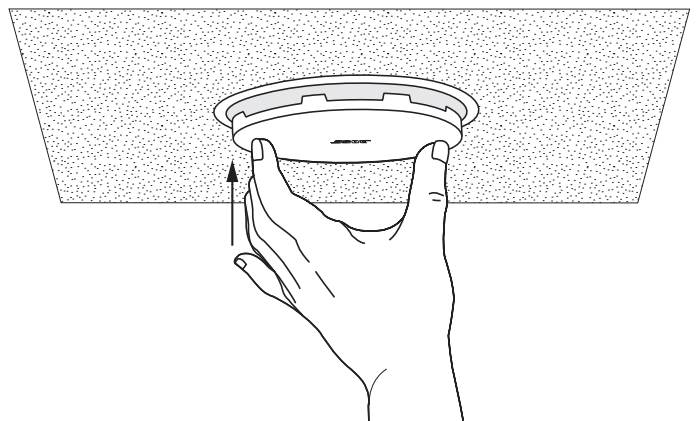
ADVARSEL: Hvis skruene strammes eller løsnes for mye, kan dette forårsake skade på ankerfestepunktet eller taket, og at høyttaleren faller ned.



Feste grillen

Merk: Før du fester grillen, må du justere høyttalerens innstillinger til ønsket nivå for monteringen. Se **Høyttalerinnstillinger** på side 47.

Når logoen er justert som den skal, må du plassere grillen riktig mot innsiden av høyttaleren og trykke den opp til den festes. Om nødvendig trykker du grilltappene innover for å feste den skikkelig til høyttalerkabinettet.



Fjerne grillen

Stikk et lite verktøy (ikke større enn 1,5 millimeter i diameter) gjennom grillens perforering i kanten på grillen og trekk for å løsne grillen.



FORSIKTIG: Ikke bruk en skrutrekker for å fjerne grillen fra kabinettet. Dette kan skade høyttaleren.

Samsvar med sikkerhet og forskrifter

Bose FreeSpace FS2C-høytaleren har bestått tester og samsvarer med følgende spesifikasjoner og bruksområder:

Oppført i ANSI/UL 1480-2016, CAN/ULC-S541

Fire Protective Signaling Use - UL-kategori UUMW/UUMW7, filnummer S 3241. Kontrollnummer 42S9.

Ikke til bruk med DC-overvåkede systemer.

Egnet for bruk innendørs på tørre steder.

EN 54-24: 2008, høytaler til alarmsystemer for brannregistrering og brannalarmsystemer i bygninger

Miljøtype: En (enhet til innendørsbruk)

Kan brukes til montering ved hjelp av kablingsmetoder i klasse 1, klasse 2 eller klasse 3, i samsvar med NFPA 70, National Electric Code, 2002, artikkel 640.

Kan brukes ved hjelp av kabelmetoder for brannalarm, i samsvar med NFPA 70, National Electrical Code, 2002, artikkel 760

Egnet for bruk i ventilasjonsområder (under overtrykk).

UL-2043, branntest og utløser for synlig røyk for diskre produkter og tilbehør som er montert i ventilasjonsområder.

NFPA 70, National Electrical Code, 2002, artikkel 300-22(c).

NFPA 90-A, 2002, montering av klimaanlegg og ventilasjonssystemer, paragraf 4.3.10.2.6.5.

EMC-forskrift 89/336/EEC og artikkel 10 (1) av forskriften, EN50081-1 og EN50082-1 som vist med CE-merket.

FreeSpace FS2C-høytaleren er utformet i henhold til kravene som er definert i følgende europeiske forskrifter for kombinasjonssystemer:

British Standard Code of Practice BS 5839, Part 8, ved bruk med den keramiske terminalblokken og den termiske sikringen.

Testet i samsvar med IEC60268-5.

Nominell dekningsvinkel (per UL 1480) Vertikal: 145°/25° ved -3 dB; 170°/5° ved -6 dB

Horisontal: 140°/20° ved -3 dB; 170°/5° ved -6 dB

UI-wattfølsomhet for lydtrykknivå i dBA ved 3,1 meter:

Watt	CAN/ULC-S541 Canada		Watt	ANSI/UL 1480-2016 USA	
	Trykk på 70 V	100 V		Trykk på 70 V	100 V
1 W	77,3 dBA	—	1 W	71,9 dBA	—
2 W	80,0 dBA	79,8 dBA	2 W	74,5 dBA	74,9 dBA
4 W	82,4 dBA	82,6 dBA	4 W	77,2 dBA	77,5 dBA
8 W	84,8 dBA	84,6 dBA	8 W	79,8 dBA	79,9 dBA
16 W	86,7 dBA	86,3 dBA	16 W	82,1 dBA	82,2 dBA
16 Ω	86,0 dBA	—	16 Ω	82,6 dBA	—

Oppgitt SPLs er per den UL 1480-spesifiserte rapportmetoden.

Frekvensrespons:

Brannalarm (UL): 95 Hz til 17000 Hz

Należy zapoznać się ze wszystkimi zaleceniami dotyczącymi bezpieczeństwa oraz instrukcjami użytkowania i zachować je.

Instalację niniejszego produktu może przeprowadzić wyłącznie specjalista! Niniejszy dokument ma na celu dostarczenie profesjonalnym instalatorom podstawowych wskazówek dotyczących instalacji i bezpieczeństwa tego produktu w typowych, stałych instalacjach. Przed przystąpieniem do instalacji należy zapoznać się z niniejszym dokumentem i wszystkimi ostrzeżeniami dotyczącymi bezpieczeństwa.

Nie wolno serwisować urządzenia samodzielnie. Wszystkie czynności serwisowe muszą być wykonywane przez pracowników autoryzowanych centrów serwisowych, autoryzowanych instalatorów, techników, sprzedawców lub dystrybutorów. Aby skontaktować się z firmą Bose Professional, ze sprzedawcą bądź dystrybutorem w okolicy, odwiedź stronę PRO.BOSE.COM.

1. Należy przeczytać instrukcję.
2. Należy zachować instrukcję.
3. Należy stosować się do wszystkich ostrzeżeń.
4. Należy postępować zgodnie z instrukcjami.
5. Nie należy korzystać z tego urządzenia w pobliżu wody.
6. Urządzenie należy czyścić wyłącznie przy użyciu suchej ściereczki.
7. Nie wolno blokować otworów wentylacyjnych. Urządzenie należy zainstalować zgodnie z zaleceniami producenta.
8. Nie wolno instalować urządzenia w pobliżu źródeł ciepła, takich jak kaloryfery, przewody kominowe, piece lub inne urządzenia wydzielające ciepło (np. wzmacniacze).
9. Należy korzystać wyłącznie z dodatków i akcesoriów zalecanych przez producenta.



OSTRZEŻENIA/PRZESTROGI



Produkt zawiera elementy magnetyczne. Aby dowiedzieć się, czy mogą one mieć wpływ na funkcjonowanie implantów medycznych, należy skonsultować się z lekarzem.



Produkt zawiera drobne elementy, które mogą spowodować niebezpieczeństwo zadławienia. Nie jest on odpowiedni dla dzieci w wieku poniżej 3 lat.

- Produkt jest przeznaczony wyłącznie do użytku w pomieszczeniach.
- Wszystkie produkty Bose muszą być instalowane zgodnie z przepisami lokalnymi, krajowymi, federalnymi i branżowymi. Instalator jest zobowiązany zainstalować głośniki i system montażowy zgodnie ze wszystkimi obowiązującymi regulaminami, w tym regulaminami i przepisami obowiązującymi w budynku. Przed instalacją produktu należy skonsultować się z odpowiednimi władzami.
- Niebezpieczny montaż lub podwieszenie ciężkiego ładunku może spowodować poważne obrażenia lub śmierć oraz uszkodzenie mienia. Do obowiązków instalatora należy ocena niezawodności każdej metody montażu stosowanej w tym przypadku. Montaż podwieszanych głośników może być przeprowadzany wyłącznie przez profesjonalnych instalatorów posiadających wiedzę o odpowiednim sprzęcie i bezpiecznych technikach montażu.
- Nie wolno montować produktu w miejscach, w których może być on narażony na kontakt z wodą lub ze skroploną parą wodną.
- Nie wolno narażać urządzenia na działanie wody ani umieszczać na nim lub obok niego pojemników wypełnionych wodą, np. wazonów.
- Niniejszy produkt nie jest przeznaczony do instalacji ani stosowania w pomieszczeniach mających stały kontakt z wodą (w tym m.in. basenach wewnętrznych, parkach wodnych, pomieszczeniach z jacuzzi, saunach, łaźniach parowych i lodowiskach).
- Nie montować uchwytu na powierzchniach niewystarczająco solidnych lub stwarzających zagrożenia związane na przykład z instalacją elektryczną lub hydrauliczną. Uchwyt powinien zamontować wykwalifikowany instalator z zachowaniem zgodności z lokalnymi przepisami budowlanymi.
- Należy używać wyłącznie sprzętu i akcesoriów dostarczonych lub określonych przez firmę Bose jako odpowiednie do głośników FreeSpace FS2C. Informacje na temat zgodnych akcesoriów można znaleźć w arkuszu danych technicznych produktu pod adresem PRO.BOSE.COM.
- Produkt musi być umieszczony z dala od ognia i źródeł ciepła. Na urządzeniu lub w jego pobliżu nie należy umieszczać źródeł otwartego ognia, np. zapalonych świec.
- Nie wolno dokonywać modyfikacji produktu bez zezwolenia.
- Nie wolno narażać głośnika lub elementów montażowych na działanie substancji chemicznych, które nie zostały dozwolone przez firmę Bose, w tym m.in. środków smarnych i czyszczących, środków do ochrony instalacji elektrycznych oraz rozpuszczalników na bazie węglowodorów. Narażenie na działanie takich substancji może prowadzić do degradacji materiałów plastikowych, a w rezultacie do pęknięcia i stworzenia zagrożenia upadkiem.
- Głośniki należy czyścić wyłącznie suchą szmatką. Nie należy wystawiać głośnika na działanie mydła, detergentów, oleju mineralnego, alkoholu ani innych środków czyszczących lub chemikaliów.

Klasyfikacja produktu:

Napięcie wejściowe: 70 V / 100 V

Impedancja: 16 Ω, 16 W

Prąd lub moc: (70 V): 1 W, 2 W, 4 W, 8 W, 16 W; (100 V): 2 W, 4 W, 8 W, 16 W

Informacje prawne

Nie wolno zamalowywać ani modyfikować fabrycznie naniesionych wykończeń.



Ten produkt jest zgodny ze wszystkimi obowiązującymi wymaganiami dyrektyw UE. Pełna treść Deklaracji zgodności jest dostępna w witrynie: www.Bose.com/compliance.



Ten symbol oznacza, że produktu nie należy wyrzucać razem z innymi odpadkami z gospodarstwa domowego. Produkt należy dostarczyć do odpowiedniego miejsca zbiórki w celu recyklingu. Właściwy sposób utylizacji i recyklingu pomaga chronić zasoby naturalne, ludzkie zdrowie i środowisko naturalne. Aby uzyskać więcej informacji na temat utylizacji i recyklingu tego produktu, skontaktuj się z samorządem lokalnym, w zakładzie utylizacji odpadów albo w sklepie, w którym produkt został nabyty.

Data produkcji: ósma cyfra numeru seryjnego oznacza rok produkcji, np. cyfra „7” oznacza rok 2007 lub 2017.

Importer na terenie Chin: Bose Electronics (Shanghai) Company Limited, Part C, Plant 9, No. 353 North Ruying Road, China (Shanghai) Pilot Free Trade Zone

Importer na terenie UE: Bose Products B.V., Gorslaan 60, 1441 RG Purmerend, Holandia

Importer na terenie Meksyku: Bose de México, S. de R.L. de C.V., Paseo de las Palmas 405-204, Lomas de Chapultepec, 11000 México, D.F. W celu uzyskania informacji o importerze i usługach: +5255 (5202) 3545

Importer na terenie Tajwanu: Bose Taiwan Branch, 9F-A1, No.10, Section 3, Minsheng East Road, Taipei City 104, Taiwan. Numer telefonu: +886-2-2514 7676

Bose, DesignMax i FreeSpace są znakami towarowymi firmy Bose Corporation.

Siedziba główna firmy Bose Corporation: 1-877-230-5639

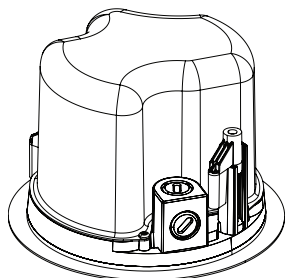
© 2020 Bose Corporation. Żadnej części tego dzieła nie wolno reprodukować, modyfikować, rozpowszechniać ani w inny sposób wykorzystywać bez uprzedniego uzyskania pisemnego pozwolenia.

Informacje o gwarancji

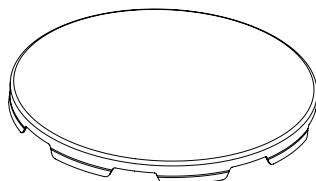
Opisywany produkt objęty jest ograniczoną gwarancją.

Szczegółowe informacje na temat gwarancji można znaleźć na stronie PRO.BOSE.COM.

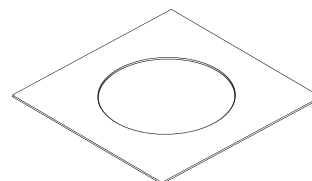
Zawartość opakowania



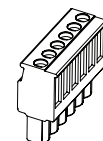
×2



×2

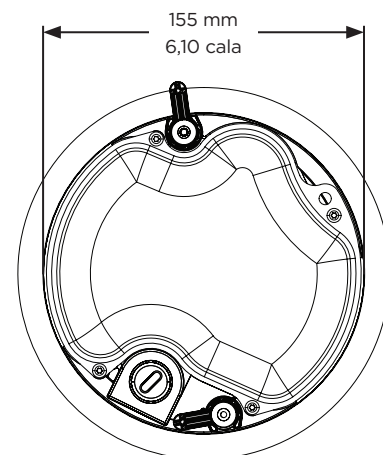
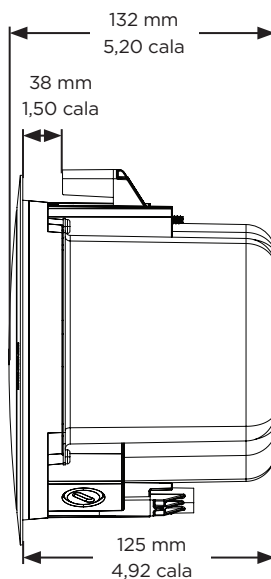
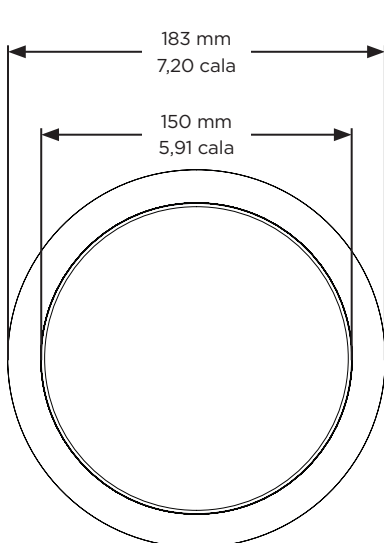


×1



×2

Wymiary produktu



Dane techniczne

Dodatkowe dane techniczne można znaleźć w arkuszu danych technicznych FreeSpace FS2C na stronie PRO.BOSE.COM. Specyfikacja normy EN 54-24 (także dla wymaganego korektora zewnętrznego) znajduje się w certyfikacji zgodności FreeSpace FS2C EN 54-24 (AM857600 Rev. 00) na stronie PRO.BOSE.COM.

Fizyczne	
Wymiary produktu	Średnica płyty rezonansowej: 183 mm (7,20 cala)
	Średnica obudowy: 155 mm (6,10 cala)
	Głębokość tylnej puszkki: 125 mm (4,92 cala)
Średnica otworu	165 mm (6,50 cala)
Maksymalna grubość sufitu	38 mm (1,50 cala)
Waga netto — głośnik z osłoną (pojedynczy)	1,63 kg (3,60 funta)
Waga przesyłki (para)	4,40 kg (9,70 funta)
Otoczenie	Wyłącznie w pomieszczeniach

Ważne informacje dotyczące instalacji



Przed rozpoczęciem montażu głośnika zapoznaj się z **Ważnymi zaleceniami dotyczącymi bezpieczeństwa** znajdującymi się na stronie 51.



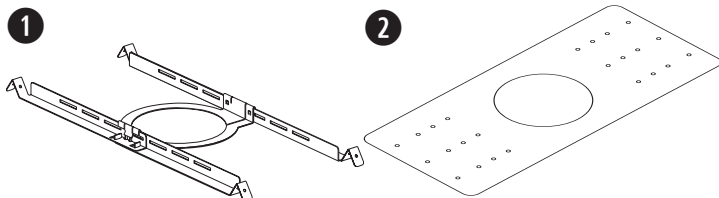
Do **zastosowań w alarmach przeciwpożarowych i ewakuacyjnych** — stopień ochrony IP21C zgodnie z normą EN 54-24.

Opcje montażu

Opcje montażu i akcesoria

Do montażu głośnika potrzebne jest jedno z dwóch przedstawionych poniżej akcesoriów. Podręczniki zawierające instrukcje dotyczące instalacji akcesoriów znajdują się w witrynie PRO.BOSE.COM.

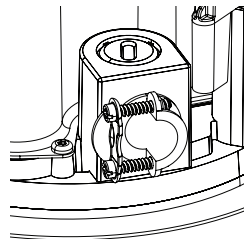
- 1 Regulowany mostek do płytek (brak w zestawie)
- 2 Podkładka montażowa (brak w zestawie)



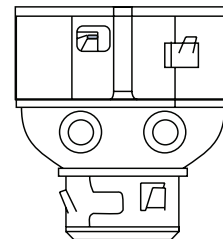
Przepust kablowy

W przypadku korzystania z elastycznego metalowego kanału kablowego należy użyć przepustu kablowego $\frac{3}{8}$ cala lub złącza duplex $\frac{3}{8}$ cala.

Uwaga: przepusty kablowe nie są dołączone do zestawu.



pojedyncze wejście $\frac{3}{8}$ cala



$\frac{3}{8}$ cala, złącze duplex /
pętla $\frac{3}{8}$ cala

Wybór metody instalacji

1 Górny otwór na kable

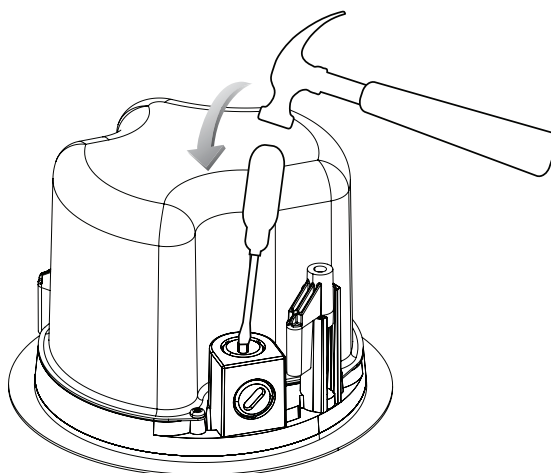
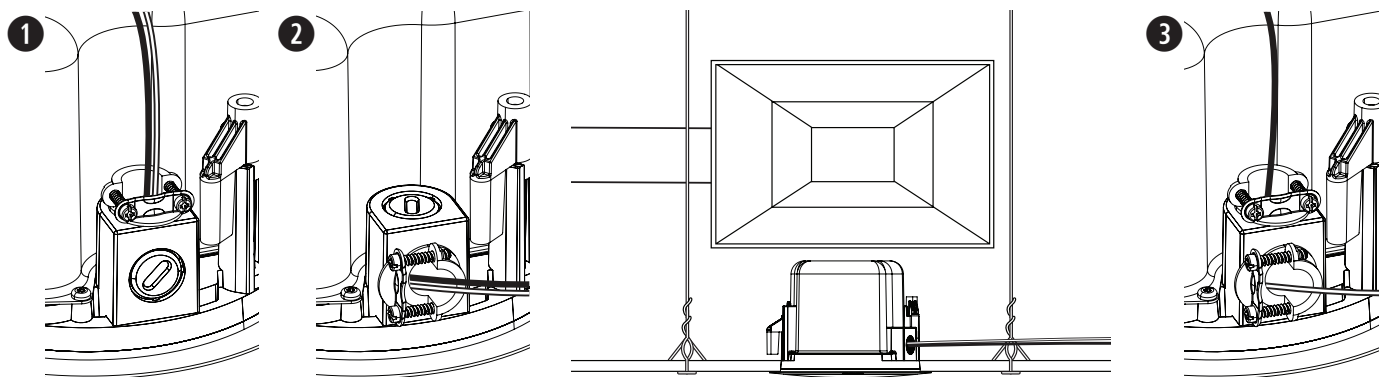
Jeśli nad sufitem jest dostępna przestrzeń, należy użyć górnego otworu na kable.

2 Boczny otwór na kable

W przypadku ograniczonej przestrzeni nad sufitem należy użyć bocznego otworu na kable.

3 Oba otwory na kable

Gdy wymagany jest niezależny schemat okablowania wejścia i wyjścia sygnału oraz dostępna jest przestrzeń nad sufitem, należy skorzystać z dwóch otworów na kable.



Okablowanie głośnika

Grubość przewodu

Do montażu głośnika FreeSpace FS2C należy stosować wyłącznie przewody o rozmiarze od 18 AWG (0,8 mm²) do 14 AWG (2,1 mm²).

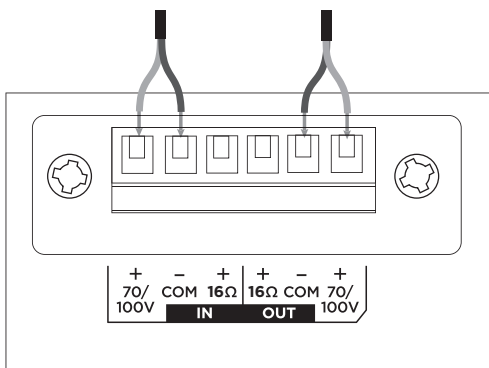
Schematy połączeń

Odsłonić sześć milimetrów (¼ cala) nieizolowanego przewodu, aby podłączyć go do zacisków.

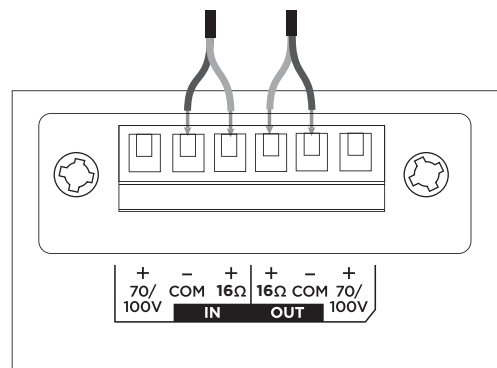
Uwaga! Okablowanie musi być wykonane zgodnie z następującymi normami:

(w Kanadzie) certyfikat CSA C22.1 Canadian Electrical Code, część I, Safety Standard for Electrical Installations, punkt 32;

(w Stanach Zjednoczonych) norma NFPA 70, National Electrical Code oraz norma NFPA 72, National Fire Alarm and Signaling Code.

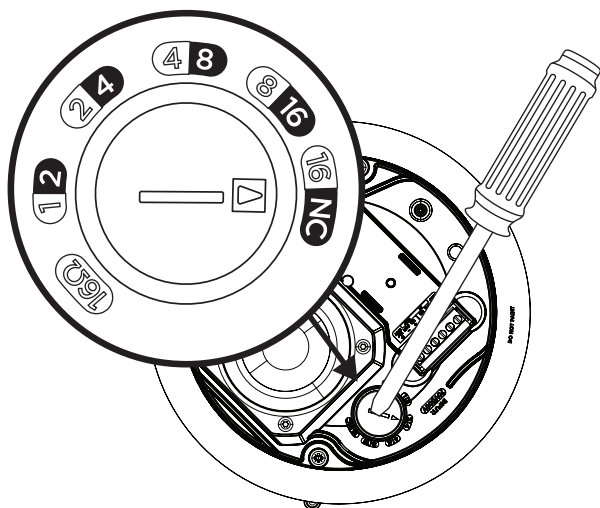


70/100 V



16 Ω

Ustawienia głośnika



70 V					
1 W	2 W	4 W	8 W	16 W*	16 Ω
2 W	4 W	8 W	16 W	NC**	
100 V					

* Ustawienia fabryczne

** NC — brak połączenia (nie używać)

Ustawienie gwintownika transformatora

Ustaw gwintownik, obracając go za pomocą płaskiego wkrętaka.

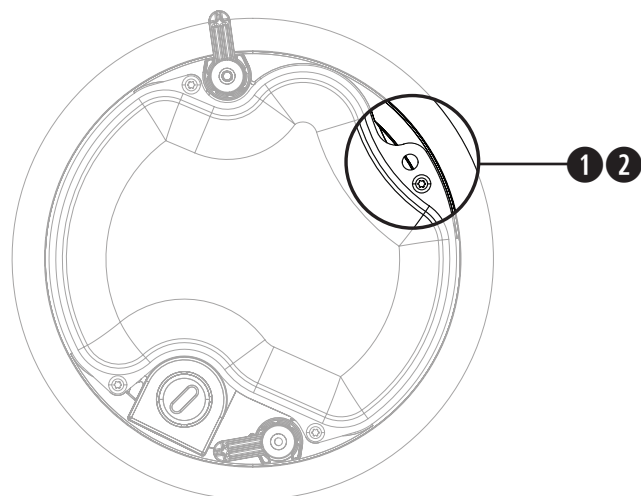
Przygotowanie do montażu

Korzystanie z linki zabezpieczającej

Niektóre regionalne przepisy budowlane wymagają zastosowania dodatkowej metody zabezpieczania głośników w celu zapewnienia dodatkowego bezpieczeństwa. Pozycja, sposób i elementy montażu muszą być zgodne z lokalnymi normami i przepisami budowlanymi.

Firma Bose zaleca użycie (1) przewodu zabezpieczającego lub (2) linki zabezpieczającej jako dodatkowego mechanizmu zabezpieczającego. Punkty mocowania osprzętu zabezpieczającego przedstawiono na schemacie po prawej stronie.

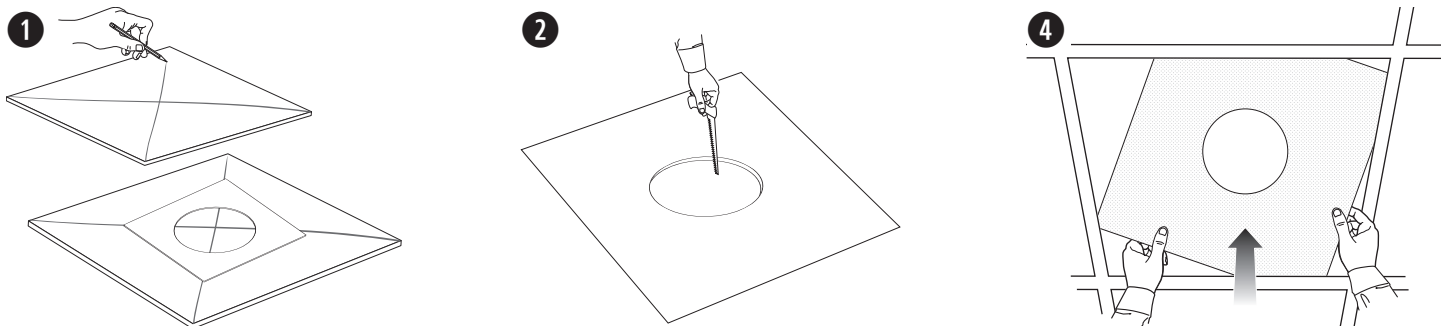
Należy przestrzegać instrukcji producenta dotyczących dodatkowego mechanizmu zabezpieczającego.



Przygotowanie mostka płytkowego do instalacji

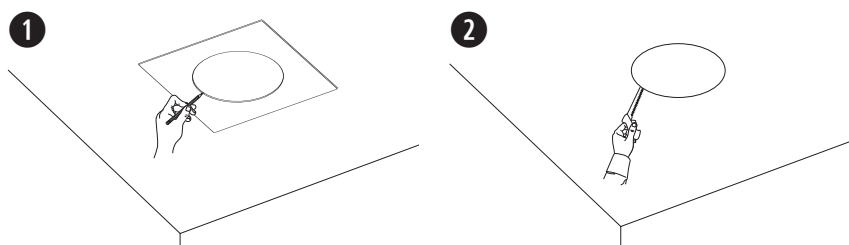
Płytki sufitowa

1. Usunąć płytkę i użyć szablonu do zaznaczenia otworu głośnika na płytce. Aby wyśrodkować szablon na płytce, narysować znak X, łącząc narożniki po przekątnej i wyśrodkować szablon, używając punktu przecięcia.
2. Wyciąć otwór w płytce.
3. Zamontować mostek płytkowy. Informacje na temat instalacji mostka płytkowego można znaleźć w podręczniku instalacji mostka płytkowego na stronie PRO.BOSE.COM.
4. Z powrotem zamontować płytkę w suficie.



Sufit twardy

1. Użyć szablonu do zaznaczenia otworu w suficie.
2. Wyciąć otwór w suficie.
3. Zamontować mostek płytkowy. Informacje na temat instalacji mostka płytkowego można znaleźć w podręczniku instalacji mostka płytkowego na stronie PRO.BOSE.COM.

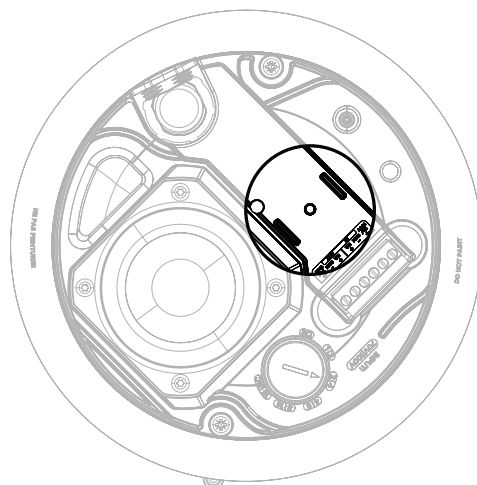


Montaż w suficie twardym z wykorzystaniem podkładki montażowej (nowa konstrukcja)

Informacje na temat instalacji podkładki montażowej można znaleźć w podręczniku instalacji podkładki montażowej dla głośnika DesignMax i FreeSpace na stronie PRO.BOSE.COM. Po zamontowaniu podkładki montażowej należy zapoznać się z informacjami zawartymi w sekcji **Montaż głośnika** na stronie 56.

Punkt mocowania ceramicznego bloku zacisków

W głośniku FreeSpace FS2C można zamontować opcjonalny ceramiczny blok zacisków. Na rysunku przedstawiono punkt mocowania ceramicznego bloku zacisków. Więcej informacji na temat tego akcesorium można znaleźć w podręczniku instalacji ceramicznego bloku zacisków na stronie PRO.BOSE.COM.

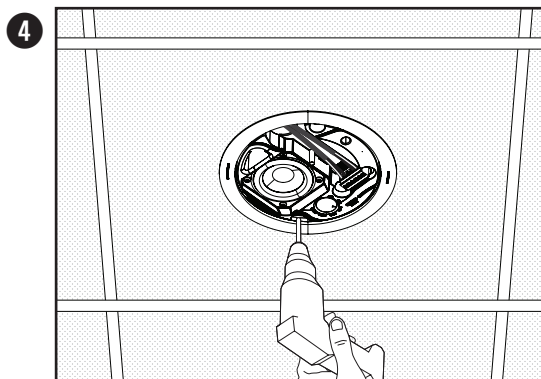
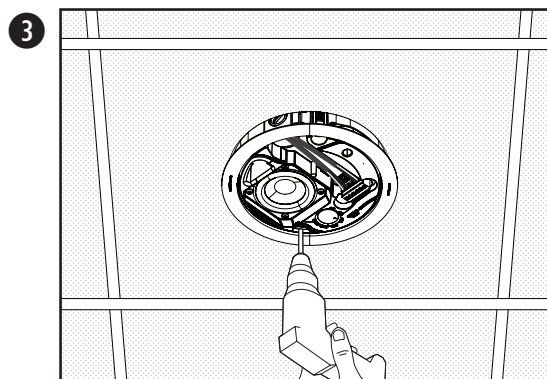
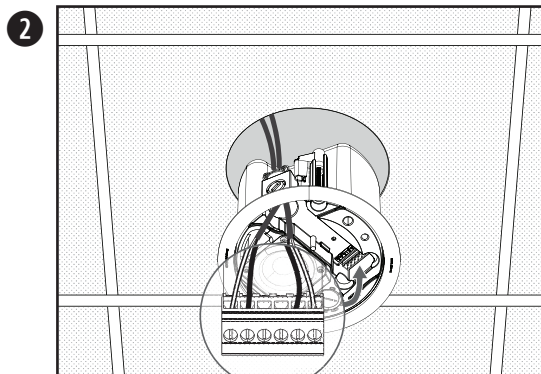
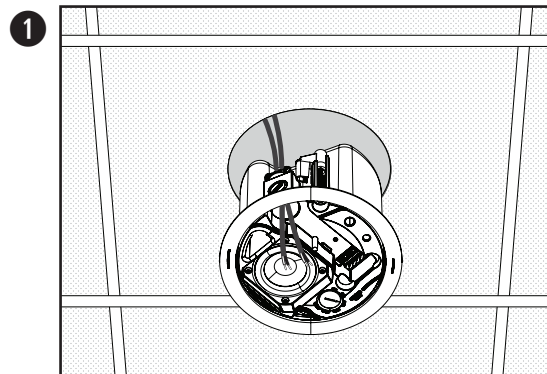


Montaż głośnika

1. Przeciagnąć przewód audio przez otwór na kable.
2. Podłączyć przewody do złącza i umieścić złącze w głośniku. Jeśli to konieczne, docisnąć przewody w przepuście kablowym. Informacje na temat okablowania można znaleźć w sekcji **Podłączanie okablowania do głośnika** na stronie 54.
3. Wsunąć głośnik przez otwór i do mostka płytkowego lub podkładki montażowej (patrz strona 55) i przekręcić śruby ramienia kotwiącego o pół przeciwnie do ruchu wskazówek zegara, aby rozłożyć ramiona kotwiące. Powoli puszczać głośnik do momentu kontaktu ramion kotwiących z mostkiem płytkowym lub podkładką montażową.
4. Dokręcić śruby ramienia kotwiącego, aby zamocować głośnik.



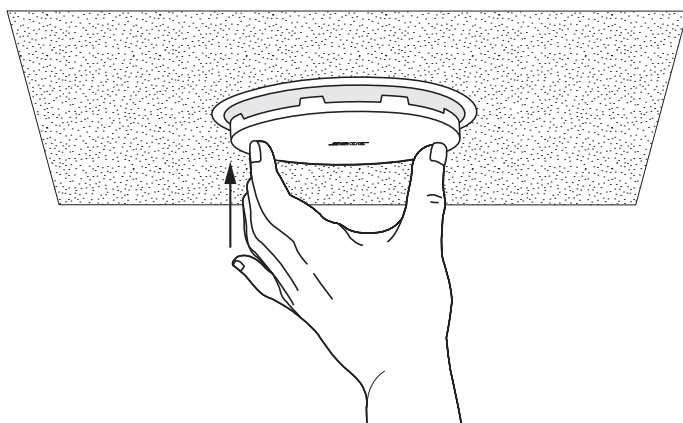
OSTRZEŻENIE! Zbyt mocne lub zbyt słabe dokręcenie śrub może spowodować uszkodzenie ramion kotwiących, punktu mocowania ramion lub sufitu, co może stwarzać zagrożenie wypadnięcia głośnika z otworu.



Mocowanie osłony głośnika

Uwaga! Przed zamocowaniem osłony dostosuj ustawienia poboru mocy głośnika do specyfikacji instalacji elektrycznej. Patrz **Ustawienia głośnika** na stronie 54.

Po ustawieniu logo w żądanym położeniu ustaw osłonę w odpowiedniej pozycji względem wnętrza obudowy głośnika i dociśnij osłonę tak, aby wskoczyła na miejsce. Jeśli to konieczne, ściśnij zakładki osłony, aby ułatwić sobie właściwy montaż osłony w obudowie głośnika.



Demontaż osłony

Wsuń niewielkie narzędzie (o średnicy do 1,5 mm) do otworu znajdującego się na brzegu osłony, a następnie pociągnij, aby odzepić osłonę.



PRZESTROGA! Osłony nie należy podważać za pomocą wkrętaka. Może to prowadzić do uszkodzenia głośnika.

Informacje dotyczące bezpieczeństwa i zgodności

Głośnik Bose FreeSpace FS2C przeszedł testy i jest zgodny z następującymi specyfikacjami i zastosowaniami:

Zgodność z normami ANSI/UL 1480-2016, CAN/ULC-S541

do użytku w systemach alarmów pożarowych – kategoria UL UUMW/UUMW7, numer pliku S 3241. Numer kontrolny 42S9.

Produkt nie jest przeznaczony do użytku w nadzorowanych systemach prądu stałego.

Produkt nadaje się do użytku wewnątrz budynków o niskiej wilgotności.

EN 54-24: 2008, dla głośników przeznaczonych do dźwiękowych systemów ostrzegawczych stosowanych w systemach wykrywania pożaru i alarmów przeciwpożarowych montowanych w budynkach.

Typ środowiska: A (do użytku wewnątrz budynków)

Głośniki nadające się do instalacji przy użyciu okablowania klasy 1, 2 lub 3 zgodnie z normą NFPA 70, National Electric Code, 2002, art. 640.

Głośniki nadają się do instalacji przy użyciu okablowania stosowanego w alarmach przeciwpożarowych zgodnie z normą NFPA 70, National Electric Code, 2002, art. 760

Nadaje się do użytku w przestrzeniach wentylacyjnych (plenum).

UL-2043, Test pożarowy i widzialne uwalnianie dymu dla produktów dyskretnych i ich akcesoriów zainstalowanych w przestrzeniach wentylacyjnych.

NFPA 70, National Electric Code, 2002, art. 300-22(c).

NFPA 90-A, 2002, Instalacja systemów klimatyzacji i wentylacji, paragraf 4.3.10.2.6.5.

EMC Dyrektywa 89/336/EEC i art. 10 (1) dyrektywy, EN50081-1 i EN50082-1, o czym świadczy oznakowanie CE.

Głośnik FreeSpace FS2C został zaprojektowany zgodnie z wymaganiami określonymi w następujących europejskich przepisach dotyczących systemów łączonych:

British Standard Code of Practice BS 5839, część 8., w przypadku korzystania z ceramicznego bloku zacisków i bezpiecznika termicznego.

Produkt przetestowany pod kątem zgodności z normą IEC60268-5.

Nominalny kąt propagacji (zgodnie z normą UL 1480) W pionie: 145°/25° przy -3 dB; 170°/5° przy -6 dB

W poziomie: 140°/20° przy -3 dB; 170°/5° przy -6 dB

Tabela zmian wartości SPL mierzonego w dBA przy odległości 3,1 m od źródła w zależności mocy na gwintowniku (zgodnie z normą UL):

Moc na gwintowniku	CAN/ULC-S541 Kanadzie		Moc na gwintowniku	ANSI/UL 1480-2016 Stanach Zjednoczonych	
	70 V	100 V		70 V	100 V
1 W	77,3 dBA	—	1 W	71,9 dBA	—
2 W	80,0 dBA	79,8 dBA	2 W	74,5 dBA	74,9 dBA
4 W	82,4 dBA	82,6 dBA	4 W	77,2 dBA	77,5 dBA
8 W	84,8 dBA	84,6 dBA	8 W	79,8 dBA	79,9 dBA
16 W	86,7 dBA	86,3 dBA	16 W	82,1 dBA	82,2 dBA
16 Ω	86,0 dBA	—	16 Ω	82,6 dBA	—

Wartości SPL są podawane zgodnie z procedurami określonymi w normie UL 1480.

Charakterystyka częstotliwościowa:

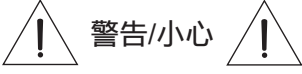
Alarm przeciwpożarowy (UL): od 95 Hz do 17000 Hz

请阅读并保留所有安全和使用说明。


本产品仅适合由专业安装人员安装！本文档旨在为专业安装人员提供在典型的固定安装系统中安装此产品时适用的基本安装和安全指南。请先阅读本文档和所有安全警告，再尝试安装。

请勿尝试自行维修此产品。所有维修服务必须由授权服务中心、安装人员、技术人员、经销商或分销商提供。要联系 Bose Professional 或查找您附近的经销商或分销商，请访问 **PRO.BOSE.COM**。


1. 请阅读这些说明。
2. 请保留这些说明。
3. 请注意所有警告。
4. 请遵守所有说明。
5. 请勿在近水区域使用本设备。
6. 只能使用干布进行清洁。
7. 请勿堵塞任何通风口。请按照制造商的说明进行安装。
8. 请勿安装在靠近任何热源的位置，例如暖气片、热调节装置、火炉或可产生热量的其他设备（包括功放）。
9. 只能使用制造商指定的附件/配件。



警告/小心



本产品含有磁性材料。有关这是否会影响到您的植入式医疗器械，请咨询您的医生。



包含可能导致窒息危险的小部件。不适合 3 岁以下的儿童使用。

- 本产品仅可在室内使用。
- 所有 Bose 产品的安装都必须遵守当地、州、联邦和行业规范。安装人员有责任确保扬声器和安装系统的安装都符合适用的法规，包括当地的建筑法规和规范。安装本产品前，请咨询拥有司法管辖权的当地监管机构。
- 以不安全的方式登高安装或吊装任何重物可能导致严重的人身伤害、死亡或财产损失。安装人员有责任评估在其应用中所使用的任何安装方法的可靠性。只有正确了解硬件且掌握安全安装方法的专业安装人员才能尝试以吊装的方式安装任何扬声器。
- 请勿将本产品安装在可能接触到水或可能发生冷凝的位置。
- 本产品不得受液体飞溅或喷洒，不得将装有液体的物体（如花瓶等）置于本产品上或本产品附近。
- 本产品不适合在室内涉水设施区域安装或使用（包括但不限于室内游泳馆、室内水上乐园、有热水浴缸的房间、桑拿房、蒸汽浴室以及室内溜冰场）。
- 请勿将本产品安装在不结实或有潜在危险的表面，比如铺有电线或管道的地方。确保支架由拥有相应资质的专业安装人员安装且符合当地的建筑法规。
- 仅使用随附安装紧固件和附件或 Bose 指定与 FreeSpace FS2C 扬声器配合使用的安装紧固件和附件。有关兼容附件的信息，请参阅 **PRO.BOSE.COM** 上的产品技术参数表。
- 请将本产品放置到远离火源和热源的地方。请勿将明火火源（如点燃的蜡烛）置于本产品上或靠近本产品。
- 未经授权切勿改装本产品。
- 请勿让扬声器或安装组件接触 Bose 未说明的任何化学物质，包括但不限于润滑油、清洗剂、触点喷剂或烃类溶剂。接触此类物质可能会导致本产品的塑料材料老化，进而导致产品开裂和掉落。
- 只能使用干布清洁扬声器。请勿让扬声器接触肥皂、清洁剂、矿物油、酒精或其他清洁剂或化学品。

产品额定值：

输入电压：70V/100V

阻抗：16 Ω, 16 W

电流或功率：(70V)：1W、2W、4W、8W、16W；(100V)：2W、4W、8W、16W

规范信息

请勿喷漆或更改出厂饰面。



本产品符合所有适用的欧盟指令要求。您可以从以下网址找到完整的合规声明：www.Bose.com/compliance。



此符号表示不得将此产品作为生活垃圾丢弃，应将其送到合适的回收站点进行回收。正确处理和回收有助于保护自然资源、人类健康和环境。想要获得更多关于此产品的处理和回收的信息，请联系当地市政当局、垃圾处理服务部门或您购买此产品的商店。


中国危险物质限用表

有毒或有害物质或元素名称及成分						
有毒或有害物质和元素						
零件名称	铅 (Pb)	汞 (Hg)	镉 (Cd)	六价铬 (CR(VI))	多溴化联苯 (PBB)	多溴二苯醚 (PBDE)
印刷电路板	X	0	0	0	0	0
金属零件	X	0	0	0	0	0
塑料零件	0	0	0	0	0	0
扬声器	X	0	0	0	0	0
线缆	X	0	0	0	0	0

此表格依据 SJ/T 11364 的要求制定。

0：表示此零件中所有均质材料所包含的此类有毒或有害物质均低于 GB/T 26572 中的限定要求。

X：表示此零件所用全部均质材料中至少有一种包含的有毒或有害物质高于 GB/T 26572 中的限定要求。



生产日期：序列号中第八位数字表示生产年份；“7”表示 2007 年或 2017 年。

中国进口商：博士视听系统（上海）有限公司，地址：中国（上海）自由贸易试验区日樱北路 353 号，9 号厂房 C 部位

欧盟进口商：Bose Products B.V., Gorslaan 60, 1441 RG Purmerend, The Netherlands

墨西哥进口商：Bose de México, S. de R.L. de C.V., Paseo de las Palmas 405-204, Lomas de Chapultepec, 11000 México, D.F.如需获取进口商和服务信息，请拨打电话：+5255 (5202) 3545

中国台湾进口商：Bose 台湾分公司，台湾 104 台北市民生东路三段 10 号，9F-A1。电话：+886-2-2514 7676

Bose、DesignMax 和 FreeSpace 是 Bose Corporation 的商标。

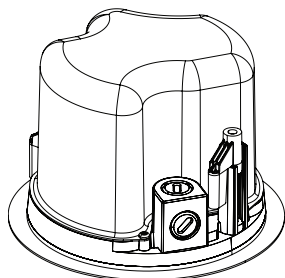
Bose Corporation 总部：1-877-230-5639

©2020 Bose Corporation。未经事先书面许可，不得复制、修改、分发或以其他方式使用本文档的任何部分。

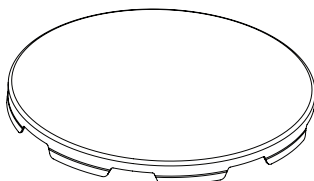
质保信息

本产品享有有限保修。
有关质保的详细信息，请访问 **PRO.BOSE.COM**。

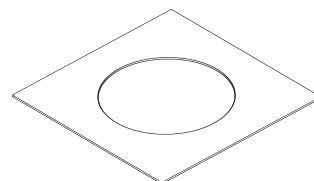
包装清单



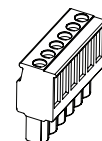
×2



×2

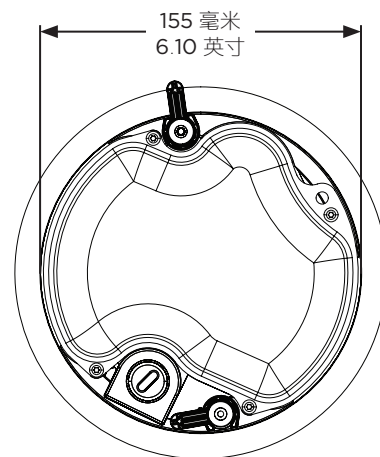
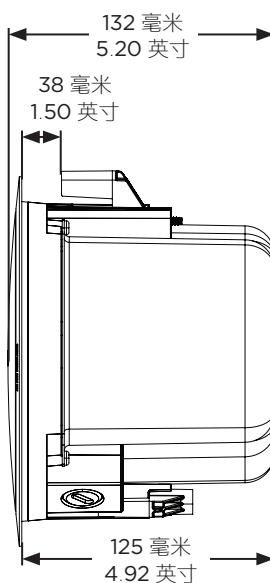
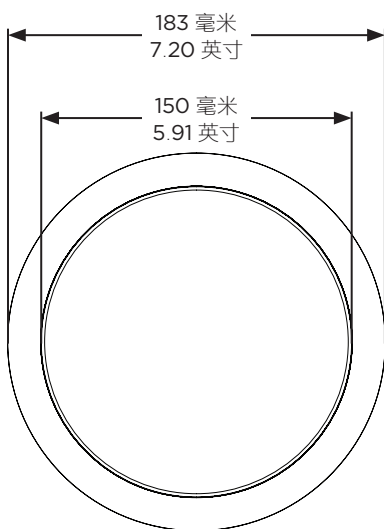


×1



×2

产品尺寸



技术规格

有关其他规格，请参阅 **PRO.BOSE.COM** 上的 FreeSpace FS2C 技术参数表。有关 EN 54-24 规范（包括所需外部均衡），请参阅 **PRO.BOSE.COM** 上的 FreeSpace FS2C EN 54-24 认证评级（AM857600 版本 00）。

外观	
产品尺寸	障板直径：183 毫米 (7.20 英寸)
	外壳直径：155 毫米 (6.10 英寸)
	后盖深度：125 毫米 (4.92 英寸)
开孔	165 毫米 (6.50 英寸)
天花板最大厚度	38 毫米 (1.50 英寸)
带网罩的扬声器净重 (单个)	1.63 千克 (3.60 磅)
装运重量 (成对)	4.40 千克 (9.70 磅)
环境	仅限室内

重要安装信息



安装扬声器之前，请阅读第 58 页上的**重要安全说明**。



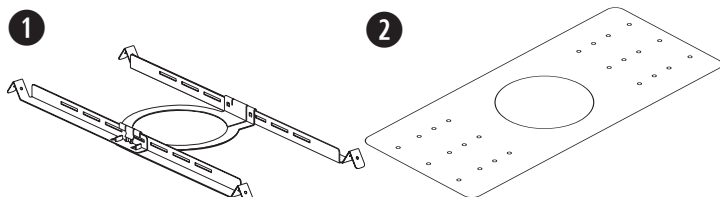
对于火灾和疏散通知应用程序，环境评级为 IP21C（依据 EN 54-24）。

安装方法

安装方式选件和配件

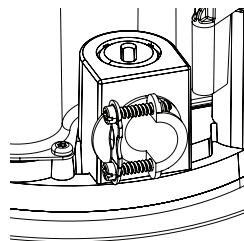
安装时需要执行任一以下操作。有关安装说明，请参阅 **PRO.BOSE.COM** 上的相关配件安装指南。

- ① 可调节安装桥板（未随附）
- ② 螺丝孔型桥板（未随附）

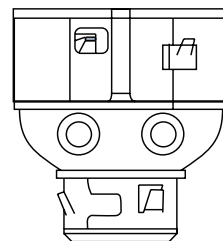


导管配件

如果使用金属软管，请使用 $\frac{3}{8}$ 英寸的单导管配件，或 $\frac{3}{8}$ 英寸的双连接件。
注意：不提供导管配件。



$\frac{3}{8}$ 英寸单软管



$\frac{3}{8}$ 英寸双连接件输入/环出

选择安装方法

① 顶部进线孔法

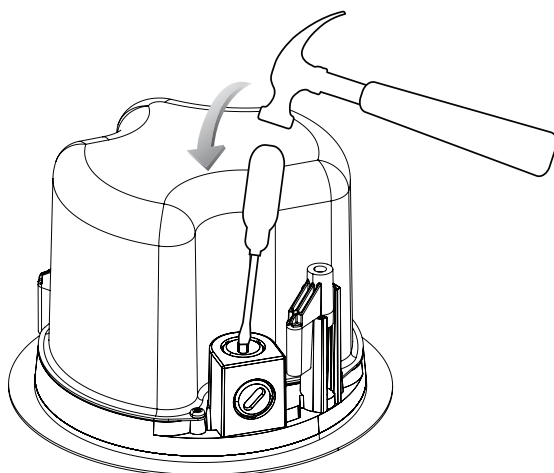
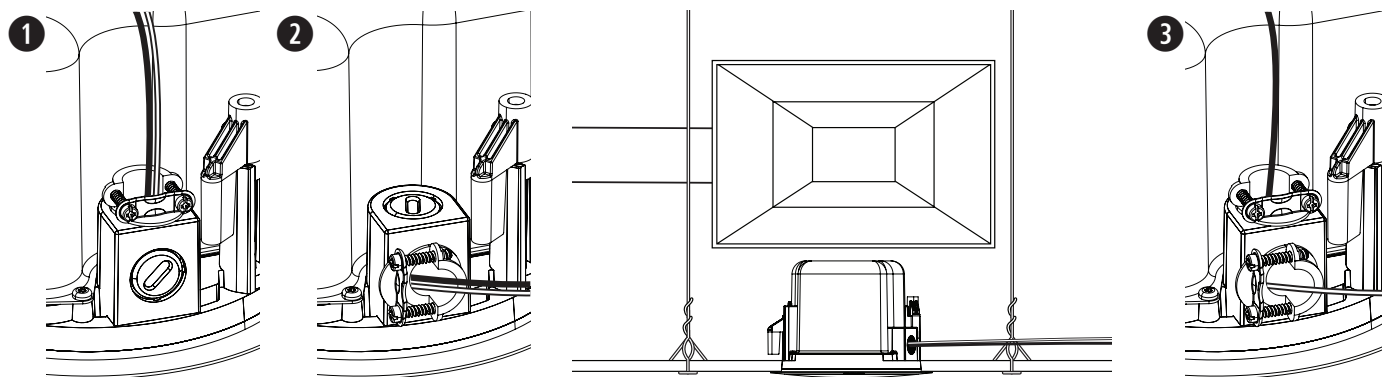
当天花板上方有可用空间时，请使用顶部进线孔法。

② 侧面进线孔法

当天花板上方空间有限时，请使用侧面进线孔法。

③ 双进线孔法

当需要采用独立的信号输入和信号输出布线方案，且天花板上方有可用空间时，请使用双进线孔法。



扬声器接线

线规

FreeSpace FS2C 扬声器仅可与 18 AWG (0.8 平方毫米) 至 14 AWG (2.1 平方毫米) 规格的接线一起使用。

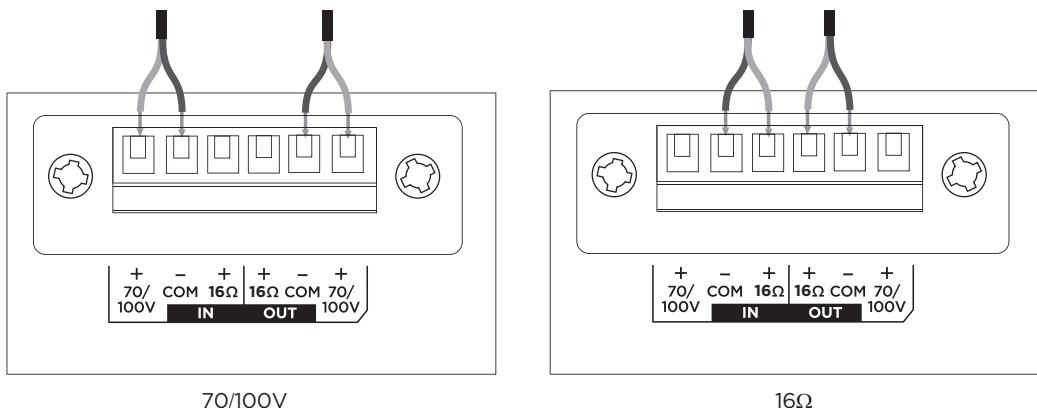
接线图

露出六毫米 (1/4 英寸) 长的裸线以连接到端子。

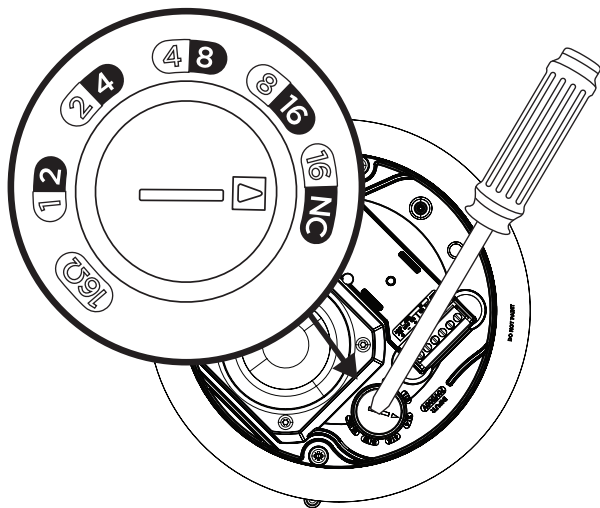
注意: 布线方法必须符合:

在加拿大, 《加拿大电气规范》第 1 部分 CSA C22.1, 电气安装安全标准第 32 节;

在美国, NFPA 70 美国国家电气法规和 NFPA 72 国家火警和信号代码。



扬声器设置



70V					
1W	2W	4W	8W	16W*	16Ω
2W	4W	8W	16W	NC**	
100V					

* 出厂默认设置

** NC: 无连接 (不使用)

变压器抽头设置

转动设置抽头。使用平头螺丝刀。

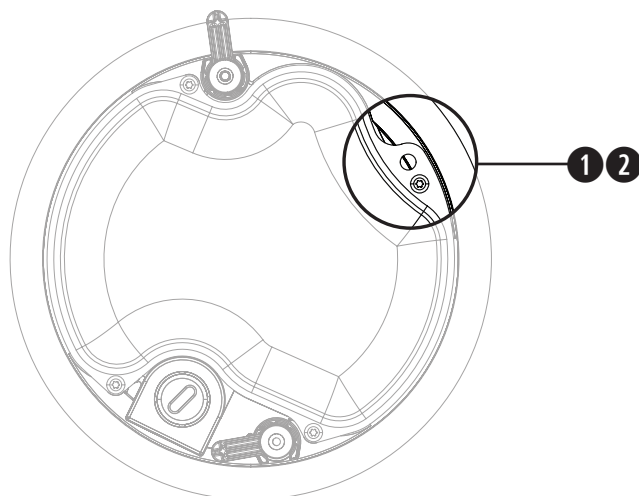
准备安装

使用安全绳

某些地区的施工规范要求使用辅助方法将扬声器固定到支撑结构, 以提供额外的安全保障。选择符合当地的建筑法规和条例的安装位置、方法和安装紧固件。

Bose 建议使用 (1) 一根保险钢丝或 (2) 一根安全绳作为辅助固定装置。有关安全连接点, 请参阅右侧图片。

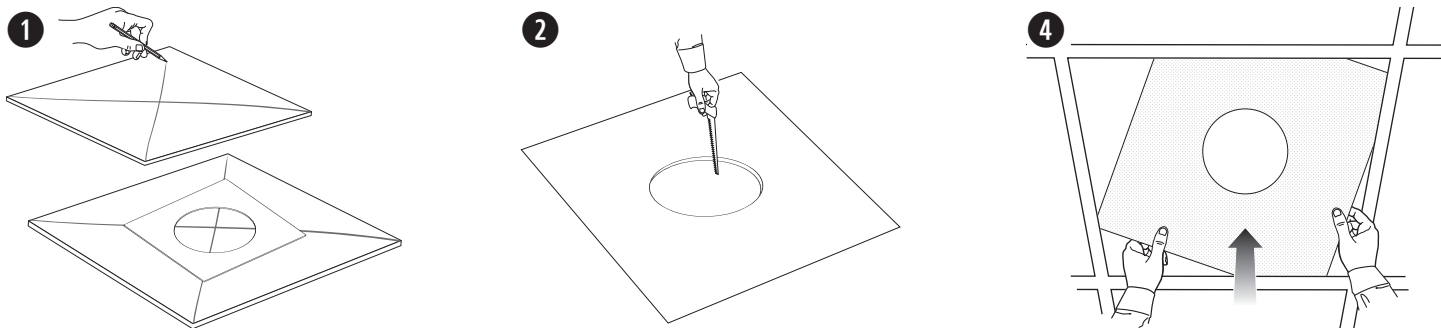
对于任何所需辅助固定装置, 请遵循制造商的说明。



准备进行桥板安装

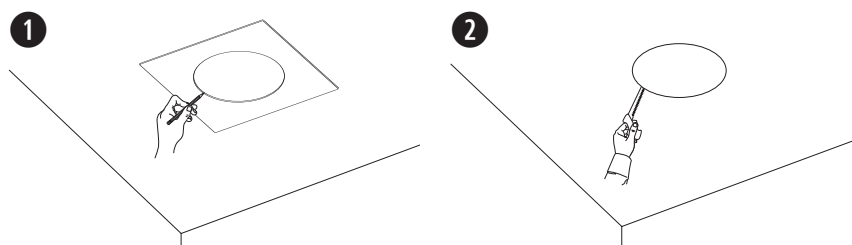
吊顶板

1. 卸下吊顶板，然后使用模板在吊顶板上描画扬声器孔。为了将模板放在吊顶板的中心位置，可连接对角线画一个“X”，然后利用交叉点使模板居中。
2. 在吊顶板上开一个孔。
3. 安装桥板。有关安装桥板的说明，请参阅 PRO.BOSE.COM 上的适用桥板的安装指南。
4. 更换吊顶板。



硬顶天花板

1. 使用模板将孔描到天花板上。
2. 在天花板上切割一个孔。
3. 安装桥板。有关安装桥板的说明，请参阅 PRO.BOSE.COM 上的适用桥板的安装指南。



使用螺丝孔型桥板在硬顶天花板上安装（新结构）

有关螺丝孔型桥板的信息，请参阅 PRO.BOSE.COM 上的 DesignMax 和 FreeSpace 螺丝孔型桥板安装指南。安装好螺丝孔型桥板后，请参阅第 63 页的 [安装扬声器](#)。

陶瓷端子连接点

FreeSpace FS2C 与可选陶瓷端子配件兼容。有关陶瓷端子连接点的位置，请参见图。有关陶瓷端子的详细信息，请参阅 PRO.BOSE.COM 上的陶瓷端子安装指南。

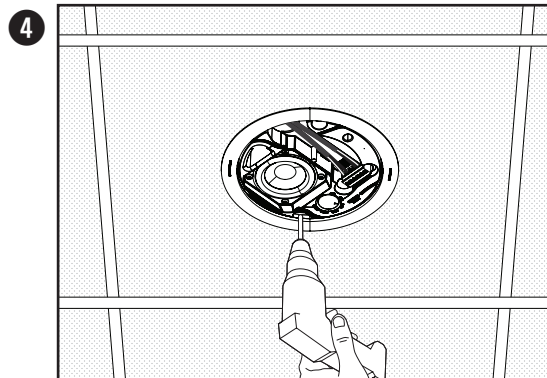
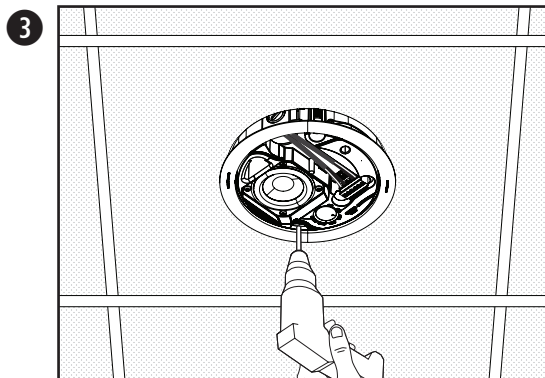
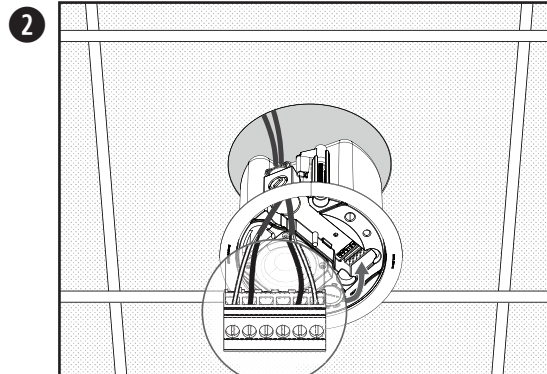
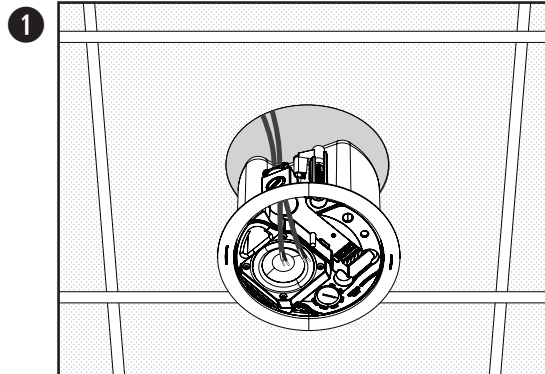


安装扬声器

1. 将音箱线穿过进线口。
2. 将线连接到接头上，并将接口插入扬声器。如需要，拧紧导管配件。有关接线信息，请参阅第 61 页的**扬声器接线**。
3. 将扬声器穿过孔并插入安装桥板或螺丝孔型桥板（参见第 62 页），然后（逆时针）将锚臂螺钉拧松半圈以松开锚臂。缓慢降低扬声器，直到锚臂安装与桥板或螺丝孔型桥板接合。
4. 拧紧锚臂螺钉以固定扬声器。



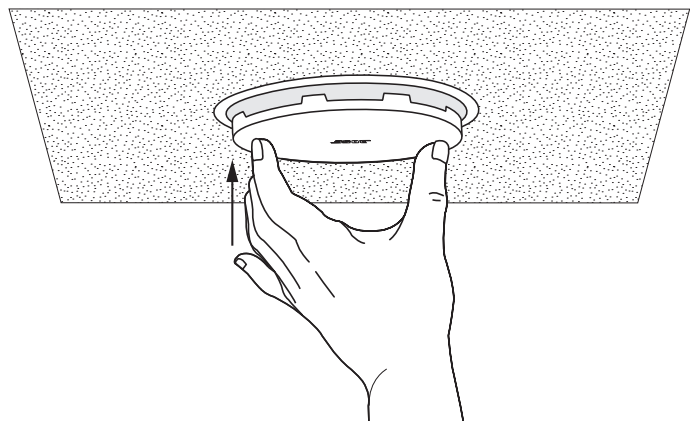
警告：过度拧紧或拧松螺钉可能会导致锚臂、锚柱安装点或天花板损坏，进而导致产品掉落。



安装网罩

注意：在连接网罩之前，请将扬声器抽头设置调整为合适的设置。请参阅第 61 页的**扬声器设置**。

确定适合安装的徽标对齐方式后，将网罩与扬声器外壳的内侧对齐，然后向上推，直至其固定到位。如有必要，向内推动网罩扣，使其正确接上扬声器外壳。



移除网罩

将小工具（直径不超过 1.5 毫米）沿网罩边缘的网罩穿孔插入，然后拉动卸下网罩。



注意：请勿使用螺丝刀将网罩从外壳上撬下。这可能会损坏扬声器。

安全与法规遵从

Bose FreeSpace FS2C 扬声器经过测试，符合以下规格和用途：

符合 ANSI/UL 1480-2016, CAN/ULC-S541 消防标准

防火信号使用 – UL 类别 UUMW/UUMW7, 文件号 S 3241。控制号 42S9。
不适用于在直流监控系统中使用。

适合在室内干燥的场所中使用。

EN 54-24: 2008 扬声器适用于进行火灾探测的语音报警系统和适用于建筑的火灾报警系统

环境类型：A（室内应用）

适合使用 1 级、2 级或 3 级接线方法安装，符合 NFPA 70 美国国家电气法规 (2002) 第 640 条。

适用于符合 NFPA 70 美国国家电气法规 (2002) 第 760 条的火灾报警电路布线方法。

适合在空气调节（微高压）场所中使用。

UL-2043, 空气处理分离产品热量和烟雾释放的防火测试。

NFPA 70 美国国家电气法规 (2002), 第 300-22(c) 条。

NFPA 90-A (2002), 空调和通风系统的安装, 第 4.3.10.2.6.5 节。

EMC 指令 89/336/EEC 和指令第 10 (1) 条, EN50081-1 和 EN50082-1 由 CE 标志表示。

FreeSpace FS2C 扬声器是根据以下有关组合系统的欧洲监管规范中规定的要求进行设计的：

英国标准实践规范 BS 5839, 第 8 部分, 与陶瓷端子和热熔断器套件配套使用。

经测试符合 IEC60268-5。

标称覆盖角度（根据 UL 1480 要求）

垂直：145°/25° at -3 dB; 170°/5° at -6 dB

水平：140°/20° at -3 dB; 170°/5° at -6 dB

3.1 米 (10 英尺) 下的 UL 灵敏度瓦数, 抽头声压级 dBA:

功率	CAN/ULC-S541 加拿大		功率	ANSI/UL 1480-2016 美国	
	70 V	100 V		抽头	70 V
1 W	77.3 dBA	—	1 W	71.9 dBA	—
2 W	80.0 dBA	79.8 dBA	2 W	74.5 dBA	74.9 dBA
4 W	82.4 dBA	82.6 dBA	4 W	77.2 dBA	77.5 dBA
8 W	84.8 dBA	84.6 dBA	8 W	79.8 dBA	79.9 dBA
16 W	86.7 dBA	86.3 dBA	16 W	82.1 dBA	82.2 dBA
16 Ω	86.0 dBA	—	16 Ω	82.6 dBA	—

给定的声压级是按照 UL 1480 指定的报告方法进行测量的。

频率响应：

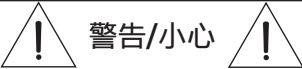
火灾报警 (UL): 95 Hz 至 17000 Hz

請閱讀並保管好所有安全和使用指示。


本產品僅限由專業安裝人員安裝！本文件包含本產品採一般固定式安裝系統時的相關基本安裝資訊與安全基準，以供專業安裝人員參考。在嘗試進行安裝以前，請先閱讀本文件與所有的安全警告。

請勿自行維修本產品。如需任何維修服務，請洽授權服務中心、安裝人員、技術人員、經銷商或分銷商。若要聯絡 Bose Professional 或尋找附近的經銷商或分銷商，請造訪 PRO.BOSE.COM。


1. 閱讀這些指示。
2. 保留這些指示。
3. 注意所有警告。
4. 遵守所有指示。
5. 請勿在水邊使用此裝置。
6. 只能用乾布清潔。
7. 請勿堵塞任何通風口。請按照製造商的指示安裝。
8. 請勿在熱源附近安裝，如暖氣片、熱調節裝置、火爐或可發熱的其他裝置（包括擴大機）。
9. 只能使用製造商指定的附件/配件。



警告/小心



本產品含有磁性材料。請諮詢醫生以瞭解這是否會影響您的植入式醫療設備。



包含可能導致窒息危險的小部件。不適合 3 歲以下的兒童使用。

- 本產品僅供室內使用。
- 所有 Bose 產品的安裝必須遵守當地、州、聯邦和行業規範。安裝人員有責任確保揚聲器和安裝系統的裝設均符合適用的法規，包括當地的建築法規和規定。安裝本產品前，請諮詢擁有司法權的當地政府機關。
- 以不安全的方式安裝或高處懸吊任何重物都可能導致嚴重的人身傷害或死亡，以及財產損失。安裝人員須負責評估其應用情形中所採用之任何安裝方式是否穩定可靠。只有具備適當五金部件知識與安全安裝技術的專業安裝人員，才可嘗試安裝任何高處懸吊揚聲器。
- 請勿將本產品安裝於可能接觸水或結露的位置。
- 本產品不得受液體淋濺或噴灑，請勿將裝有液體的物體（例如花瓶）置於本產品上或本產品附近。
- 本產品並不適合安裝或用於室內有水設施區域（包括但不限於：室內泳池、室內戲水區、熱水浴池、桑拿、蒸氣室與室內溜冰場等）。
- 請勿安裝在不穩定或有潛在危險的表面，比如佈線或鋪設管道的地方。請務必由合格的专业安裝人員遵照當地的建築法規安裝支架。
- 僅限使用 Bose 隨附或指定用於 FreeSpace FS2C 揚聲器的五金部件與配件。如需相容配件的相關資訊，請參閱 PRO.BOSE.COM 上的產品技術資料表。
- 使產品遠離火源和熱源。請勿將明火火源（例如點燃的蠟燭）置於本產品上或本產品附近。
- 未經授權請勿擅自改裝本產品。
- 請勿使揚聲器或安裝組件接觸任何非由 Bose 指定的化學物質，包括但不限於潤滑劑、清潔劑、觸點噴劑或碳氫溶劑。接觸該等物質會使塑膠材質劣化，進而導致破裂並產生墜落危險。
- 請僅使用乾布來清潔揚聲器。請勿使揚聲器接觸肥皂、去污劑、礦物油、酒精或其他清潔劑或化學品。

產品額定值：

輸入電壓：70V/100V

阻抗：16 Ω, 16 W

電流或功率：(70V)：1W、2W、4W、8W、16W；(100V)：2W、4W、8W、16W

法規資訊

請勿對原廠塗裝進行改造或上漆。



本產品符合所有適用的歐盟指令要求。符合聲明全文載於：
www.Bose.com/compliance。



此符號表示本產品不得以家庭廢棄物方式丟棄，而應將其送到合適的收集設施進行回收。妥善處理及回收有助於保護天然資源、人類健康和環境。如欲獲得有關處理和回收本產品的更多資訊，請聯絡當地政府機關、廢棄物處理服務或您購買本產品的商家。

台灣 BSMI 限用物質含有情況標示

設備名稱：揚聲器				型號：841154		
限制物質及其化學符號						
裝置	鉛 (Pb)	汞 (Hg)	鎘 (Cd)	六價鉻 (Cr+6)	多溴化聯苯 (PBB)	多溴聯苯醚 (PBDE)
印刷電路板	-	○	○	○	○	○
金屬零件	-	○	○	○	○	○
塑膠零件	○	○	○	○	○	○
揚聲器	-	○	○	○	○	○
連接線	-	○	○	○	○	○

備註 1：「○」表示限制物質的濃度百分比含量未超過參考值。
備註 2：「-」表示限制物質屬於豁免項目範圍。

製造日期：序號第八位數代表製造年份；「7」代表 2007 或 2017。

中國進口商：Bose Electronics (Shanghai) Company Limited, 中國 (上海) 自由貿易試驗區日櫻北路 353 號 9 號廠房 C 部

歐盟進口商：Bose Products B.V., Gorslaan 60, 1441 RG Purmerend, The Netherlands

墨西哥進口商：Bose de México, S. de R.L. de C.V., Paseo de las Palmas 405-204, Lomas de Chapultepec, 11000 México, D.F. 進口商與服務資訊：+5255 (5202) 3545

台灣進口商：Bose 台灣分公司, 台灣 104 台北市民生東路三段 10 號 9 樓 A1 室。電話號碼：+886-2-2514 7977

Bose、DesignMax 與 FreeSpace 為 Bose Corporation 的商標。

Bose Corporation 總部：1-877-230-5639

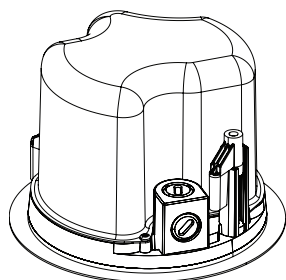
©2020 Bose Corporation. 未經事先書面許可，不得複製、修改、散佈或以其他方式使用本資料的任何部分。

保固資訊

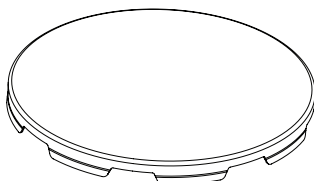
此產品享有有限保固。

如需保固詳細資料，請造訪 PRO.BOSE.COM。

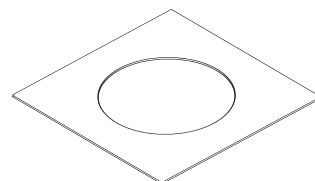
包裝內容物



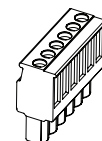
×2



×2

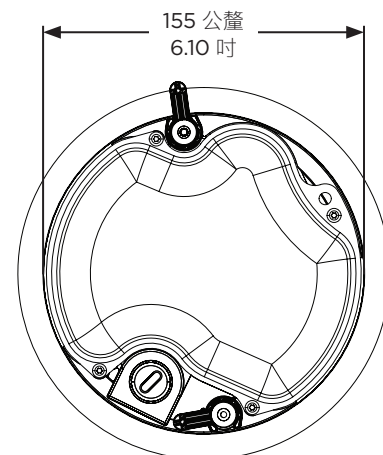
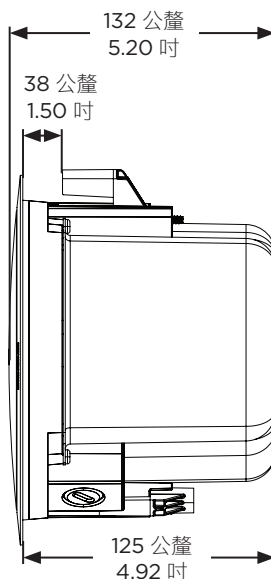
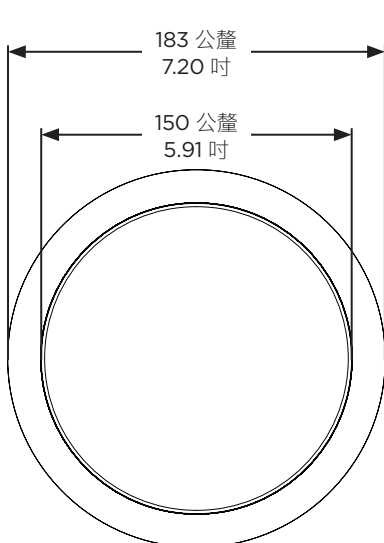


×1



×2

產品尺寸



技術規格

如需其他規格資訊，請參閱 **PRO.BOSE.COM** 上的 FreeSpace FS2C 技術資料表。有關 EN 54-24 規格 (包含所需外接 EQ)，請前往 **PRO.BOSE.COM** 網站參閱 FreeSpace FS2C EN 54-24 認證等級 (AM857600 Rev. 00)。

外觀	
產品尺寸	障板直徑：183 公釐 (7.20 吋)
	外殼直徑：155 公釐 (6.10 吋)
	背殼深度：125 公釐 (4.92 吋)
孔洞	165 公釐 (6.50 吋)
天花板最大厚度	38 公釐 (1.50 吋)
淨重，揚聲器加網罩 (單件)	1.63 公斤 (3.60 磅)
裝運重量 (成對)	4.40 公斤 (9.70 磅)
環境	僅適用室內

重要安裝資訊



安裝揚聲器之前，請先閱讀第 65 頁的 < 重要安全指示 >。



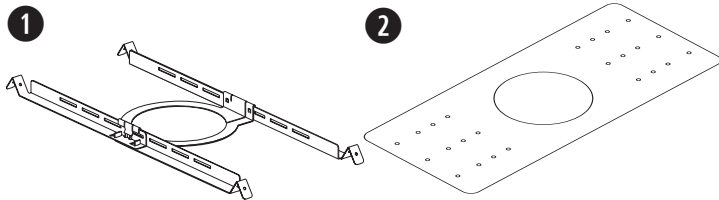
火災與疏散警報應用符合 EN 54-24 認證 IP21C 環境等級。

安裝選項

安裝選項與配件

安裝作業需要下列其中一項配件。您可以參閱 PRO.BOSE.COM 上相關的配件安裝指南，以瞭解各項安裝指示。

- ① 可調式天花板跨橋板 (未隨附)
- ② 放樣板 (未隨附)



選擇安裝方法

① 頂部線孔

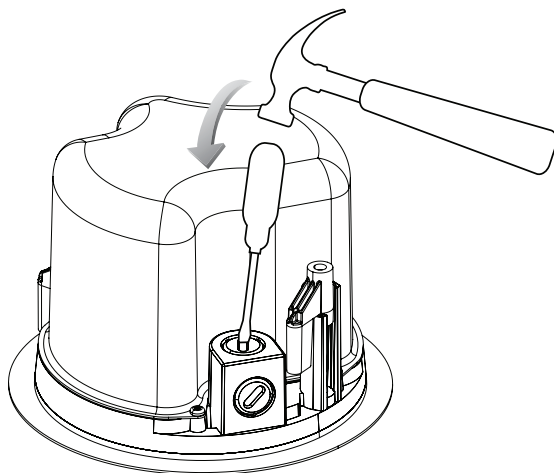
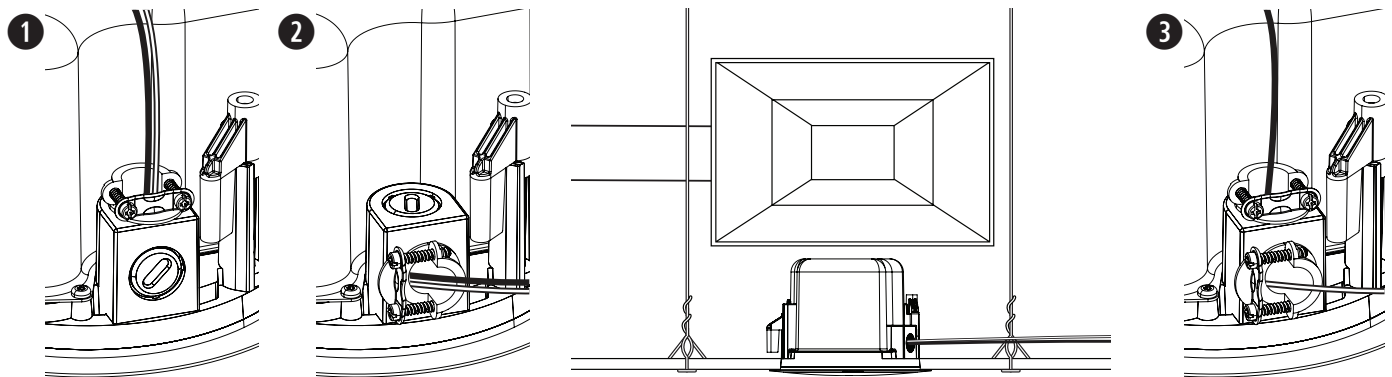
天花板上方有可用空間時，請使用頂部線孔。

② 側邊線孔

天花板上方空間有限時，請使用側邊線孔。

③ 兩種線孔

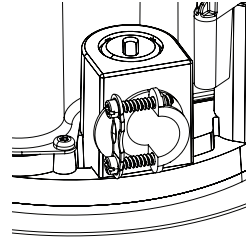
如需獨立訊號輸入及訊號輸出佈線設計，且天花板上方有可用空間時，請使用兩種線孔。



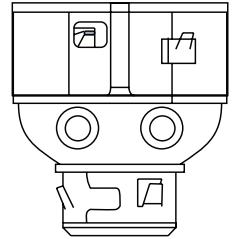
導管接頭

若使用金屬軟管，請搭配使用 $\frac{3}{8}$ 吋導管接頭或 $\frac{3}{8}$ 吋雙連接器 (雙工連接器)。

備註：本產品並未隨附導管接頭。



$\frac{3}{8}$ 吋單工連接器



$\frac{3}{8}$ 吋雙工連接器/
Loop 連接器

揚聲器接線

線規

FreeSpace FS2C 揚聲器的設計僅可使用 18 AWG (0.8 mm²) 至 14 AWG (2.1 mm²) 的線材。

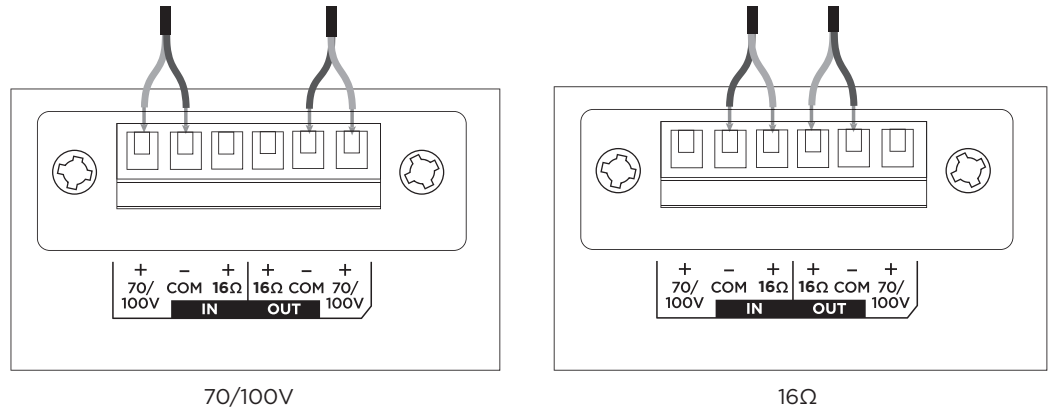
接線圖

露出六公釐 (¼ 吋) 的裸線，以連接至端子。

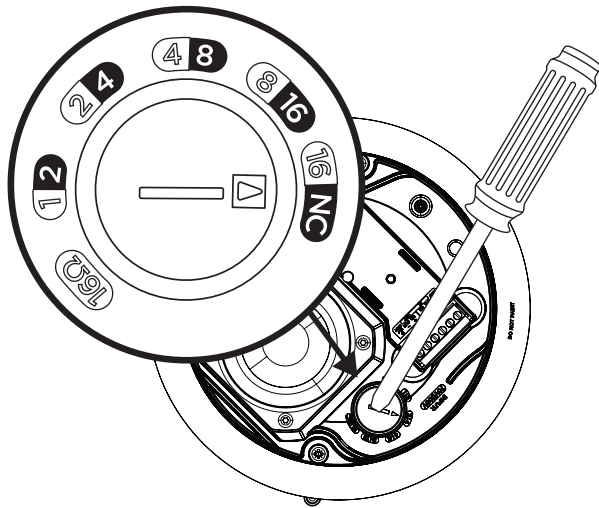
備註： 配線方式必須遵照：

於加拿大：《Canadian Electrical Code》(加拿大電氣規程) 第一部分 CSA C22.1, 「電氣安裝安全標準」第 32 條；

於美國：《National Electric Code》(美國國家電氣規程), NFPA 70 以及《National Fire Alarm and Signaling Code》(國家火災警報與信號規範), NFPA 72。



揚聲器設定



70V					
1W	2W	4W	8W	16W*	16Ω
2W	4W	8W	16W	NC**	
100V					

* 原廠預設

** NC: 無連線 (請勿使用)

變壓器抽頭設定

轉動以設定抽頭功率。請使用平頭螺絲起子。

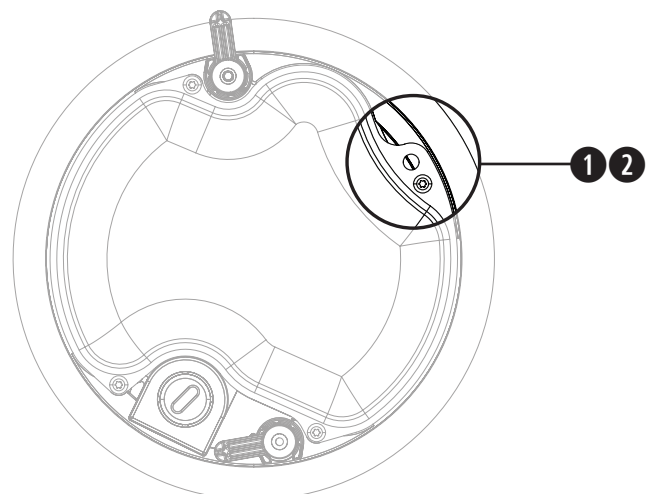
安裝準備

使用安全纜線

部分地區的建築法規要求使用輔助方式固定揚聲器以增強結構支撐力，加強安全性。請遵守當地的建築法規和規定，選擇合適的安裝位置、方式和五金部件。

Bose 建議使用 (1) 安全索或 (2) 安全纜索來作為輔助固定機制。請參見右圖，瞭解安全安裝點。

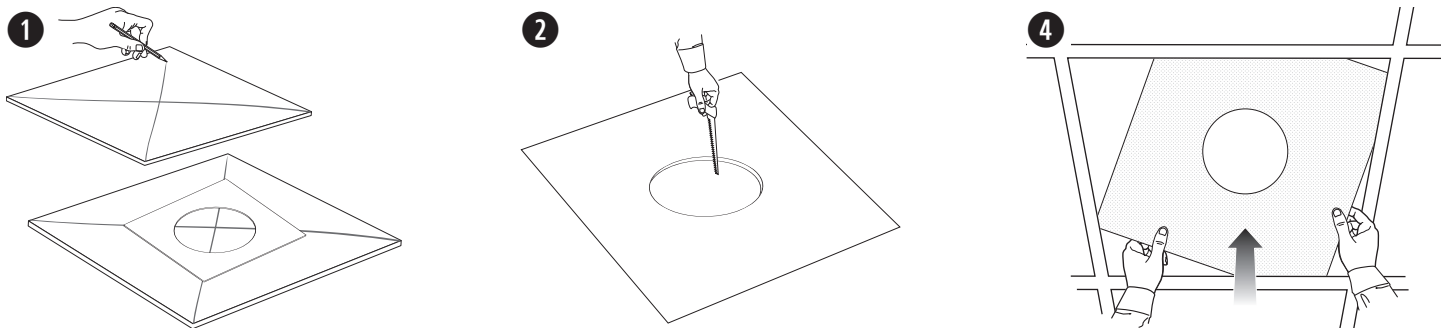
請遵守製造商的指示來施作任何輔助固定機制。



天花板跨橋板安裝準備工作

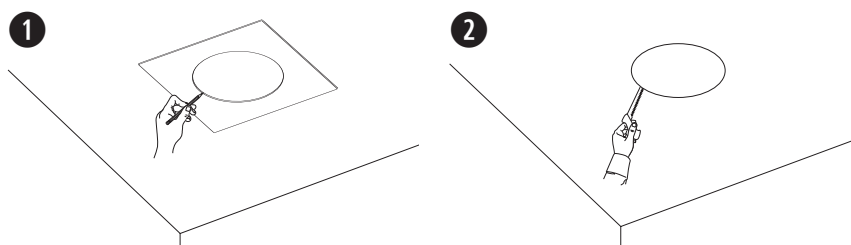
天花板板材

1. 取下天花板板材，然後使用定位卡將揚聲器孔洞描繪於板材上。為將定位卡置於板材正中央，請自四個角畫出交叉的對角線，利用交叉點將定位卡置中。
2. 在板材上裁切出一個孔洞。
3. 安裝天花板跨橋板。如需天花板跨橋板的安裝指示，請參閱 PRO.BOSE.COM 上適用之天花板跨橋板的安裝指南。
4. 裝回天花板板材。



硬式天花板

1. 使用定位卡將孔洞描繪於天花板上。
2. 在天花板上裁切出一個孔洞。
3. 安裝天花板跨橋板。如需天花板跨橋板的安裝指示，請參閱 PRO.BOSE.COM 上適用之天花板跨橋板的安裝指南。

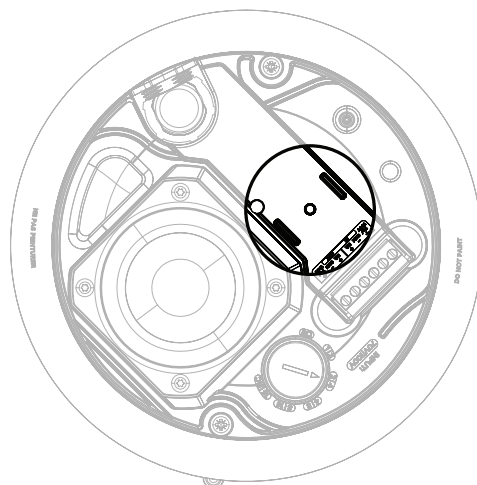


使用放樣板在硬式天花板安裝揚聲器 (新建工程)

如需安裝放樣板的相關資訊，請參閱 PRO.BOSE.COM 上的 DesignMax 與 FreeSpace 放樣板安裝指南。放樣板安裝完成之後，請參見第 70 頁 <安裝揚聲器>。

陶瓷接頭安裝點

FreeSpace FS2C 與選配的陶瓷接頭配件相容。陶瓷接頭安裝點的位置如圖所示。有關陶瓷接頭的更多資訊，請參閱 PRO.BOSE.COM 上的陶瓷接頭安裝指南。

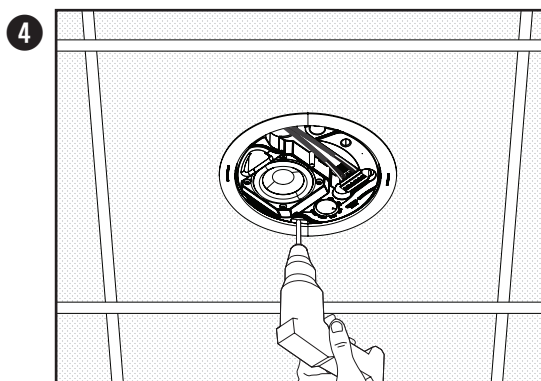
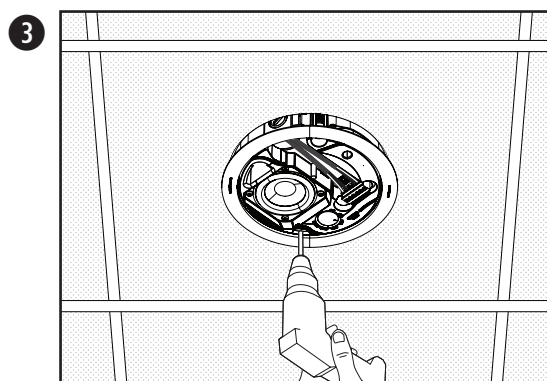
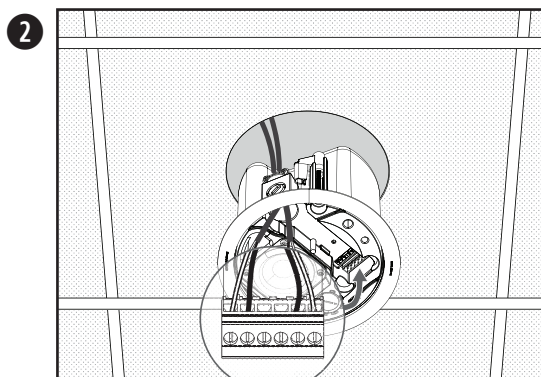
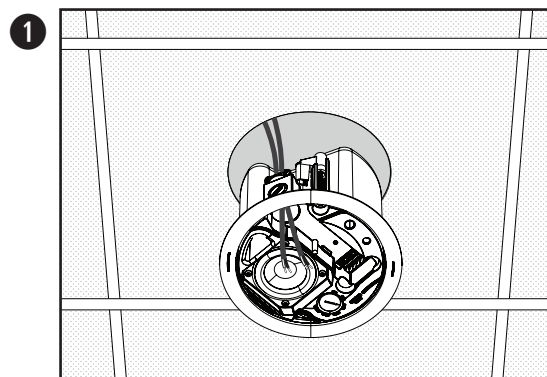


安裝揚聲器

1. 將音訊佈線穿過配線開口。
2. 將線路連接至連接端子，然後將連接端子插入揚聲器。鎖緊導管接頭 (若適用)。如需瞭解配線資訊，請參見第 68 頁 <揚聲器接線>。
3. 將揚聲器穿過孔洞，並置入天花板跨橋板或放樣板中 (請參閱第 69 頁)，逆時鐘方向鐘方向旋轉錨座支臂螺絲半圈，以鬆開錨座支臂。將揚聲器慢慢降低，直到錨座支臂在天花板跨橋板或放樣板上卡入定位。
4. 鎖緊錨座支臂螺絲以固定揚聲器。



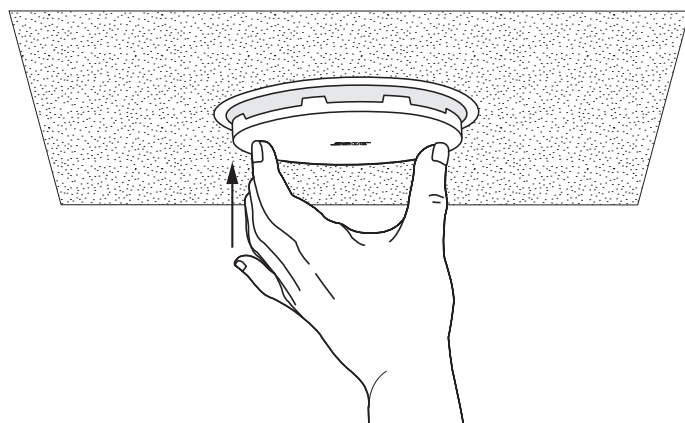
警告： 螺絲過緊或過鬆均可能會對錨座支臂、錨座安裝點或天花板造成損壞，進而導致墜落危險。



安裝網罩

備註： 安裝網罩之前，請先將揚聲器功率抽頭的設定調整為適合安裝的設定。請參閱第 68 頁的 <揚聲器設定>。

在確定適用於安裝的標誌對齊方式之後，請將網罩與揚聲器外殼的內側相互對準，然後向上推入定位。您可以視情況需要，向內推入網罩插片，使其確實卡入揚聲器外殼中。



取下網罩

在網罩邊緣的網罩孔隙中插入一支小型工具 (直徑小於 1.5 公釐)，然後拉動以鬆開網罩。



注意： 請勿使用螺絲起子從外殼撬開網罩。這可能會使揚聲器受損。

安全與規章遵循

Bose FreeSpace FS2C 揚聲器通過測試，符合下列規格及用途：

列為 ANSI/UL 1480-2016, CAN/ULC-S541

火災保護指示用途 – UL Category UUMW/UUMW7, 案號 S 3241。控制號 42S9。
不適用 DC 監督式系統。

適合於室內乾燥之處使用。

EN 54-24: 2008, 可用於火災偵測語音警報系統與建築物火災警報系統之揚聲器

環境類型: A (室內應用)

根據 NFPA 70 2002 年《National Electric Code》(美國國家電氣規程) 第 640 條, 適合使用 Class 1、Class 2 或 Class 3 配線方式安裝。

適用於符合 NFPA 70 2002 年《National Electric Code》(美國國家電氣規程) 第 760 條之火災警報器電路配線方法。

適合用於空氣調節氣室空間。

UL-2043, 《Fire Test and Visible Smoke Release for Discrete Products and their Accessories Installed in Air Handling Spaces》
(裝於空氣調節空間之分離性產品及其配件的防火測試及可視煙霧釋放)。

NFPA 70, 2002 年, 《National Electric Code》(美國國家電氣規程) 第 300-22 (c) 條。

NFPA 90-A, 2002 年, 《Installation of Air Conditioning and Ventilation Systems》(空調與排氣系統安裝), 第 4.3.10.2.6.5 項。

EMC 指令 89/336/EEC 與指令第 10 (1) 條, EN50081-1 與 EN50082-1 (如 CE 標誌所示)。

FreeSpace FS2C 揚聲器的設計符合下列歐洲組合系統法規所定義之要求：

《British Standard Code of Practice》(英國標準應用規範) 第 8 部分, BS 5839 (搭配陶瓷接線盤與溫度保險絲使用時)。

經測試符合 IEC60268-5。

額定覆蓋角度 (符合 UL 1480) 垂直: -3 dB 為 145°/25°; -6 dB 為 170°/5°

水平: -3 dB 為 140°/20°; -6 dB 為 170°/5°

UL 靈敏度瓦數抽頭聲壓級 dBA 在 3.1 公尺 (10 呎):

瓦數	CAN/ULC-S541 加拿大		瓦數	ANSI/UL 1480-2016 美國		
	抽頭	70 V		100 V	抽頭	70 V
1 W		77.3 dBA	—	1 W	71.9 dBA	—
2 W		80.0 dBA	79.8 dBA	2 W	74.5 dBA	74.9 dBA
4 W		82.4 dBA	82.6 dBA	4 W	77.2 dBA	77.5 dBA
8 W		84.8 dBA	84.6 dBA	8 W	79.8 dBA	79.9 dBA
16 W		86.7 dBA	86.3 dBA	16 W	82.1 dBA	82.2 dBA
16 Ω		86.0 dBA	—	16 Ω	82.6 dBA	—

給定的 SPL 是根據 UL 1480 所指定之報告方法。

頻率響應:

火災警報 (UL): 95 Hz 至 17000 Hz

安全上の留意項目および使用方法をよく読み、いつでも参照できるように保管してください。

本製品は、専門の施工業者による設置のみを想定した製品です。本書は、一般的な固定設置システムにおける本製品の、基本的な設置と安全上のガイドラインを施工業者様に提供します。設置する前に、本書とすべての安全に関する警告をお読みください。

ご自身で製品を修理しないでください。修理が必要な際には、正規サービスセンター、ボーズ認定の施工業者、技術者、ディーラーまたはディストリビューターにお問い合わせください。Bose Professionalに連絡する、またはお近くのディーラーまたはディストリビューターを検索するには、**PRO.BOSE.COM**にアクセスしてください。

1. このガイドをよくお読みください。
2. 必要な時にご覧になれるよう、本書を保管してください。
3. すべての注意事項に留意してください。
4. すべての指示に従ってください。
5. この製品を水の近くで使用しないでください。
6. 清掃の際は乾いた布を使用してください。
7. 通気孔は塞がないでください。製造元の指示に従って設置してください。
8. ラジエータ、暖房送風口、ストーブ、その他の熱を発生する装置(アンプを含む)の近くには設置しないでください。
9. 必ず製造元より指定された付属品、あるいはアクセサリのみをご使用ください。



この製品には磁性材料が含まれています。体内に埋め込まれている医療機器への影響については、医師にご相談ください。



のどに詰まりやすい小さな部品が含まれています。3歳未満のお子様には適していません。

- この製品は屋内専用です。
- ボーズ製品を設置する際は、必ず地域と業界指導の安全基準に従ってください。各地域の建築に関する条例や規制など、適用される全ての法律に従って本製品およびその取付金具を設置することは施工業者の責任です。本製品を設置する前に、各地域の管轄官庁に相談してください。
- 重量物の不安定な設置や頭上吊り下げは、重傷または死亡、および設備機器等への損傷の原因となる可能性があります。適用する設置方法の信頼性を評価することは、施工業者の責任です。適切な部品および安全な設置技術の知識を持つ専門の施工業者のみが、天井へのスピーカーの設置を行うことができます。
- 結露や水に晒される場所に本体を設置しないでください。
- 水漏れやしぶきがかかるような場所でこの製品を使用しないでください。また、花瓶などの液体が入った物品を製品の上や近くに置かないでください。
- この製品は屋内の水を使用するエリア(屋内プール、屋内ウォーターパーク、浴室、サウナ、スチームサウナ、屋内スケートリンクなど)での設置または使用を意図していません。
- 設置面の強度が不十分な場合や、設置面の裏側に電線や配管などが隠れている場合は、本製品を設置しないでください。各地域の建築に関する条例に従って、認定された専門業者によりブラケットが取り付けられていることを確認してください。
- FreeSpace FS2Cには、本体付属またはボーズ指定の取り付け部品およびアクセサリのみをご使用ください。使用可能なアクセサリの詳細については、**PRO.BOSE.COM**に用意されている本製品のテクニカルデータシートを参照してください。
- 火気や熱源などの近くで使用しないでください。火の付いたろうそくなどの火気を、製品の上や近くに置かないでください。
- 許可なく製品を改造しないでください。
- スピーカーや取り付けコンポーネントを、潤滑剤、洗浄剤、接点復活剤、および炭化水素を基剤とする溶剤などを含む、ボーズ指定外の化学物質にさらさないでください。製品がこうした物質に触れると、プラスチック素材の劣化につながり、ひび割れが生じて落下事故を招くおそれがあります。
- スピーカーの汚れ落としには、必ず乾いた布をお使いください。スピーカーを石けん、洗剤、鉱油、アルコールなどの洗浄剤、化学物質に触れる可能性がある場所で使用しないでください。

仕様:

入力電圧: 70V/100V

インピーダンス: 16 Ω, 16 W

電流またはパワー: (70V): 1W, 2W, 4W, 8W, 16W, (100V): 2W, 4W, 8W, 16W

規制に関する情報

Do not paint or modify factory-applied finishes.



This product conforms to all applicable EU directive requirements. The complete declaration of conformity can be found at: www.Bose.com/compliance.



This symbol means the product must not be discarded as household waste, and should be delivered to an appropriate collection facility for recycling. Proper disposal and recycling helps protect natural resources, human health and the environment. For more information on disposal and recycling of this product, contact your local municipality, disposal service, or the shop where you bought this product.

製造日: シリアル番号の8桁目の数字は製造年を表します。「7」は2007年または2017年です。

中国における輸入元: Bose Electronics (Shanghai) Company Limited, Part C, Plant 9, No. 353 North Ruying Road, China (Shanghai) Pilot Free Trade Zone

EUにおける輸入元: Bose Products B.V., Gorslaan 60, 1441 RG Purmerend, The Netherlands

メキシコにおける輸入元: Bose de México, S. de R.L. de C.V., Paseo de las Palmas 405-204, Lomas de Chapultepec, 11000 México, D.F. 輸入元およびサポート情報: +5255(5202) 3545

台湾における輸入元: Bose Taiwan Branch, 9F-A1, No. 10, Section 3, Minsheng East Road, Taipei City 104, Taiwan. Phone Number: +886-2-2514 7676

Bose, DesignMax、およびFreeSpaceは、Bose Corporationの商標です。

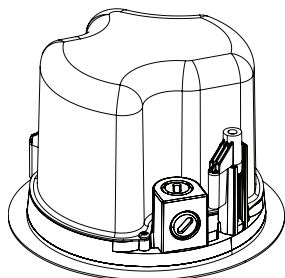
Bose Corporation Headquarters: 1-877-230-5639

©2020 Bose Corporation. 本書のいかなる部分も、書面による事前の許可のない複製、変更、配布、その他の使用は許可されません。

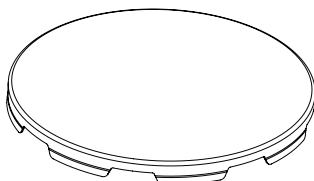
保証情報

保証の内容および条件につきましては、付属の保証書をご覧ください。保証の詳細については、**PRO.BOSE.COM**をご覧ください。

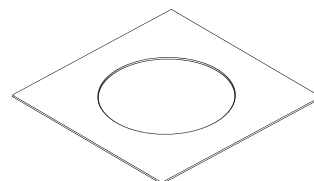
パッケージ内容



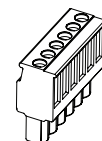
×2



×2

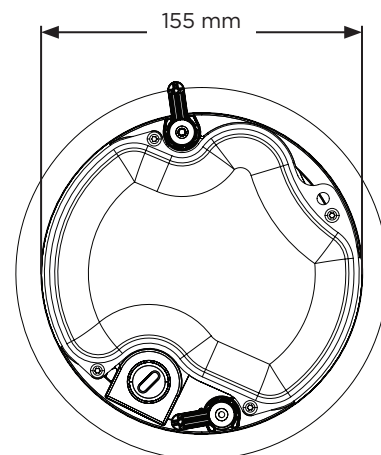
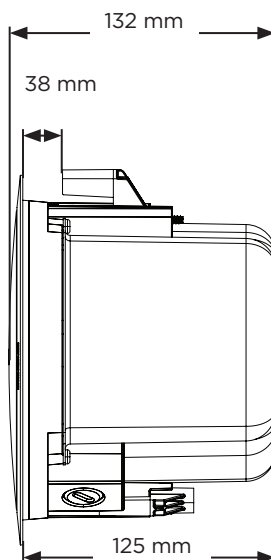
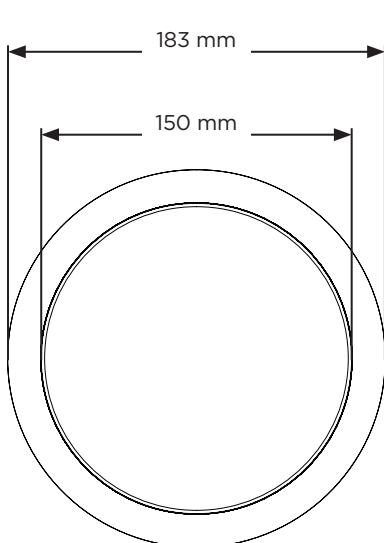


×1



×2

製品寸法



技術仕様

詳細な仕様は、PRO.BOSE.COMに用意されている、FreeSpace FS2Cのテクニカルデータシートを参照してください。外部EQ要件を含むEN 54-24の仕様については、PRO.BOSE.COMでFreeSpace FS2CのEN 54-24認定評価(AM857600 Rev. 00)を参照してください。

物理的仕様	
製品寸法	バツフルの直径: 183 mm
	エンクロージャーの直径: 155 mm
	バックカン奥行き: 125 mm
開口寸法	165 mm
最大対応板厚	38 mm
質量(スピーカーとグリル、単体)	1.63 kg
梱包質量(ペア)	4.40 kg
使用環境	屋内専用

設置に関する重要な情報



スピーカーを設置する前に、72ページの安全上の重要な注意事項をご確認ください。



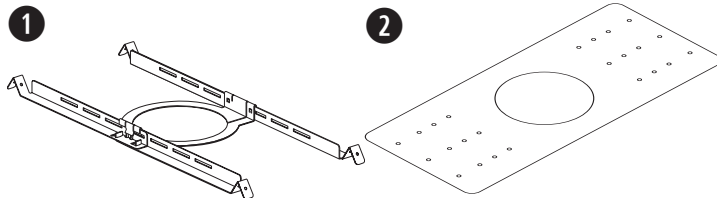
火災および避難誘導の基準は、EN 54-24に準拠し、IP21Cの環境耐候性に対応しています。

設置オプション

設置オプションとアクセサリ

設置の際には、以下のうちのいずれかを使用する必要があります。設置の手順については、PRO.BOSE.COMに用意されている、関連するアクセサリの設置ガイドを参照してください。

- ① アジャスタブルタイルブリッジ(付属しません)
- ② ラフィンパン(付属しません)



設置方法を選ぶ

① 上面ロックアウトを使用

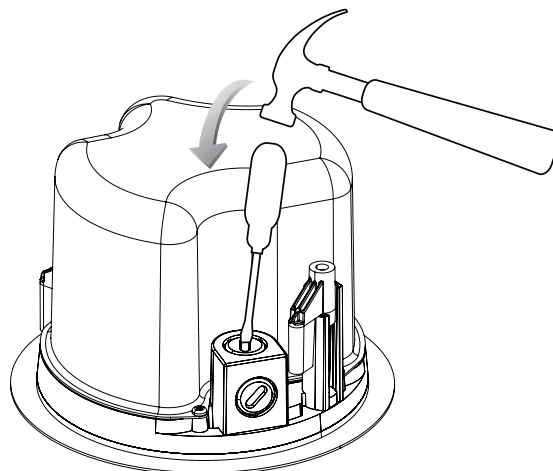
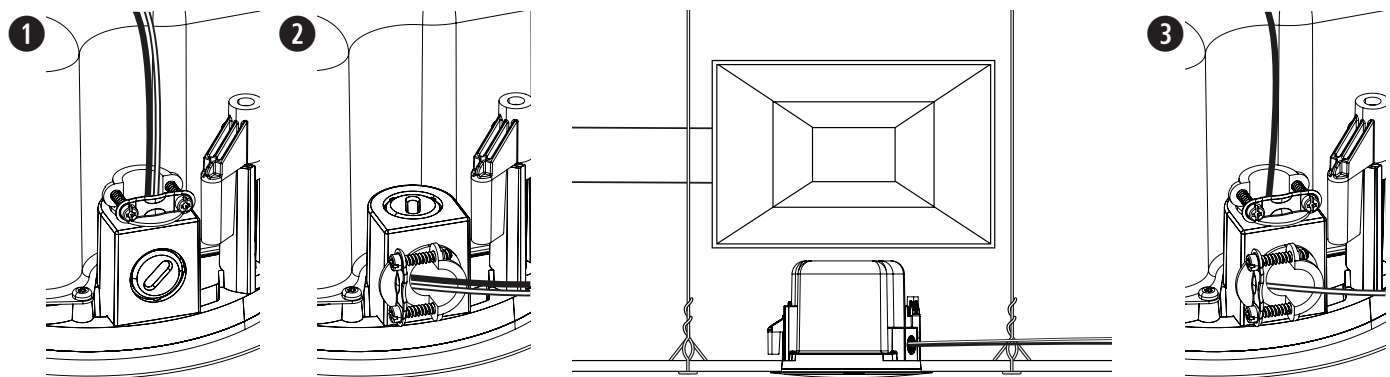
天井裏に十分なスペースがある場合は、上面にあるロックアウトを使用します。

② 側面ロックアウトを使用

天井裏に十分なスペースがない場合は、側面にあるロックアウトを使用します。

③ 両方のロックアウトを使用

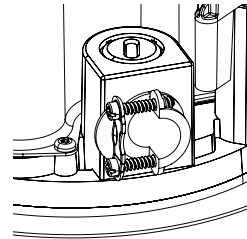
信号入力/信号出力の独立した配線方法が必要かつ天井裏に十分なスペースがある場合は、両方のロックアウトを使用します。



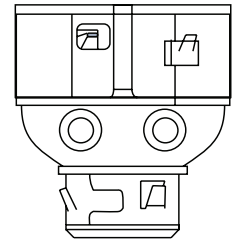
導管器具の設置

フレキシブルメタル導管を使う場合は、 $\frac{3}{8}$ インチのシングル導管か $\frac{3}{8}$ インチの複式導管コネクターを使ってください。

注: 導管器具は付属していません。



$\frac{3}{8}$ インチシングル導管



$\frac{3}{8}$ インチ複式導管

スピーカーの配線

ケーブルゲージ

FreeSpace FS2Cで使用できるケーブルのゲージは、18 AWG (0.8 mm²)～14 AWG (2.1 mm²)のみです。

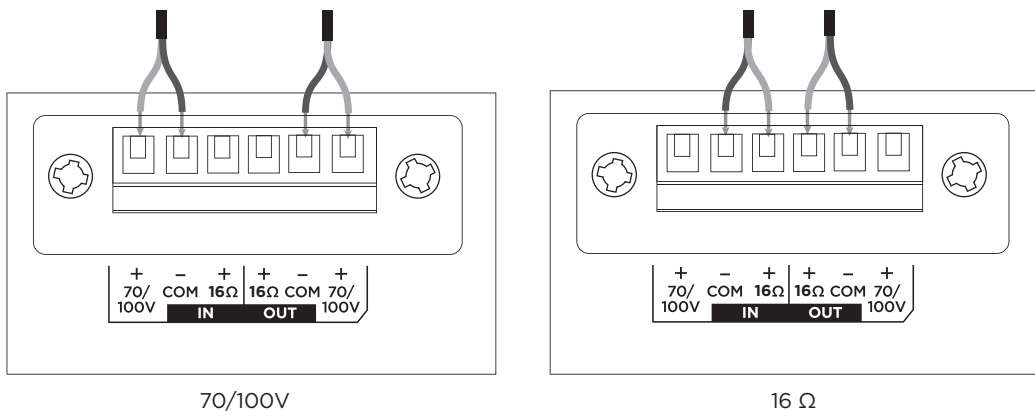
接続図

裸線を長さ6 mm (1/4インチ) 露出して端子に接続します。

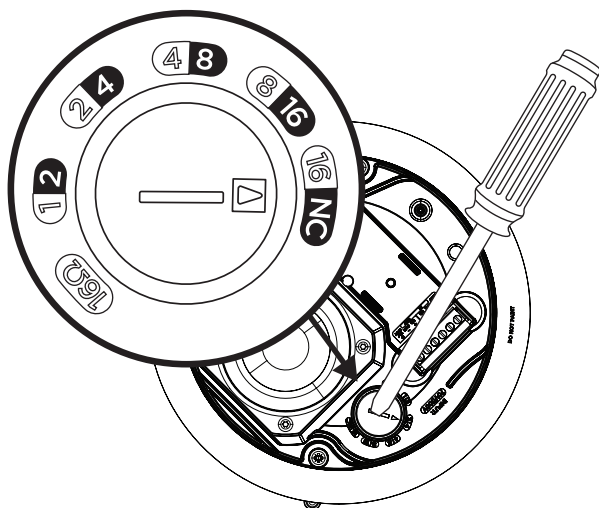
注: 配線は、以下に従って行う必要があります。

カナダ: CSA C22.1, Canadian Electrical Code, パート1, Safety Standard for Electrical Installations, セクション32

米国: The National Electrical Code, NFPA 70およびNational Fire Alarm and Signaling Code, NFPA 72



スピーカーの設定



70V					16Ω
1W	2W	4W	8W	16W*	
2W	4W	8W	16W	NC**	
100V					

*工場出荷時設定

**NC: 未接続(使用しない)

トランスフォーマータップの設定

回転させてタップを設定します。マイナスドライバーを使用します。

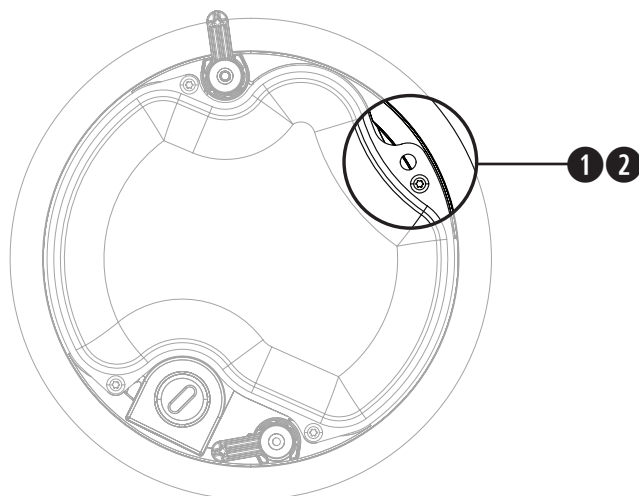
設置の準備

安全ケーブルの使用

お住まいの地域により、安全性の強化のため、スピーカーの構造物に対する固定に二次的な方法も用いることが法令により義務づけられている場合があります。適用される建築基準や規制を満たす設置場所や設置方法、器具を選択してください。

安全確保のための補助的な器具として、(1)落下防止ワイヤー、(2)安全ケーブルのいずれかの使用をお勧めします。安全器具の取り付けポイントについては、右の図を参照してください。

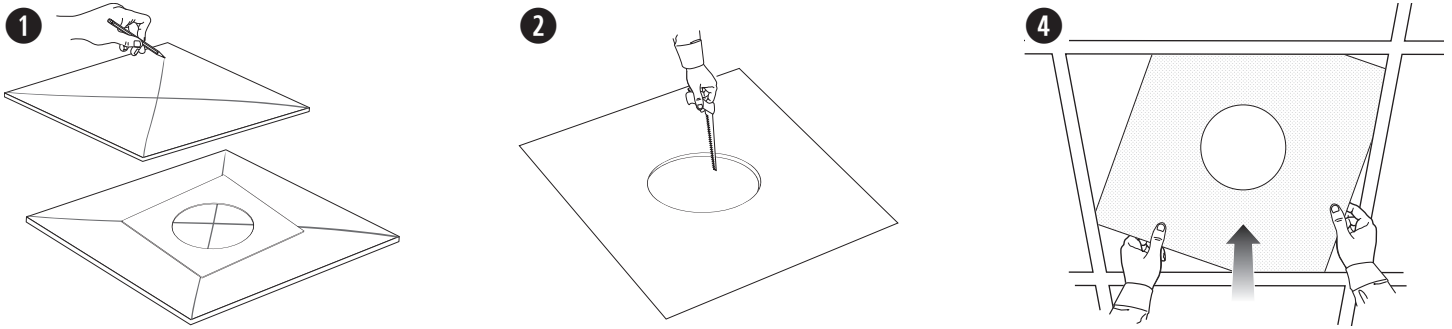
補助的な安全器具をご使用になる際は、製造元の指示に従ってください。



タイルブリッジの取り付け準備

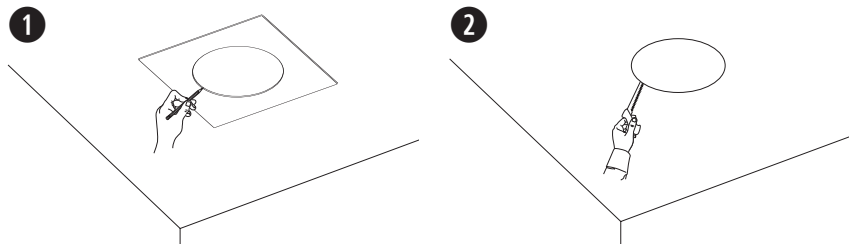
天井タイルの準備

1. タイルを取り外し、テンプレートを使ってスピーカーの穴の位置を示す線をタイルに引きます。タイルの中央にテンプレートを合わせるには、角を対角線で結んで「X」を書き、交点を使います。
2. タイルに穴を開けます。
3. タイルブリッジを取り付けます。タイルブリッジの取り付けの手順については、**PRO.BOSE.COM**に用意されている、該当のタイルブリッジの設置ガイドを参照してください。
4. 天井タイルを元に戻します。



硬い天井の場合(既存の建築物)

1. 同梱のテンプレートを利用して、天井に開ける穴を示す線を引きます。
2. 天井に穴を開けます。
3. タイルブリッジを取り付けます。タイルブリッジの取り付けの手順については、**PRO.BOSE.COM**に用意されている、該当のタイルブリッジの設置ガイドを参照してください。



ラフィンパンを使用して新築時の硬い天井に設置する

ラフィンパンの取り付けの詳細については、**PRO.BOSE.COM**に用意されている、DesignMaxおよびFreeSpace用ラフィンパンの設置ガイドを参照してください。ラフィンパンの取り付けが終わったら、77ページの「スピーカーの取り付け」を参照してください。

セラミックターミナルの取り付けポイント

FreeSpace FS2Cはオプションのセラミックターミナルアクセサリに対応しています。セラミックターミナルの取り付けポイントは、図を参照してください。セラミックターミナルの詳細については、**PRO.BOSE.COM**に用意されている、セラミックターミナルの設置ガイドを参照してください。

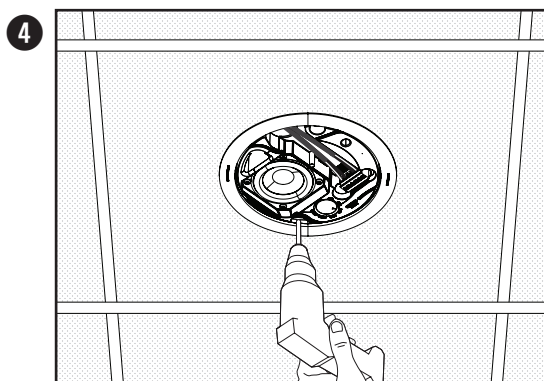
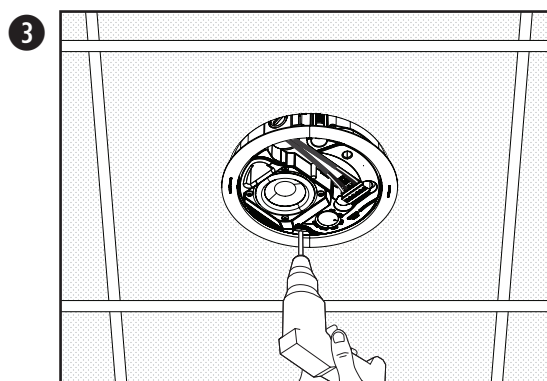
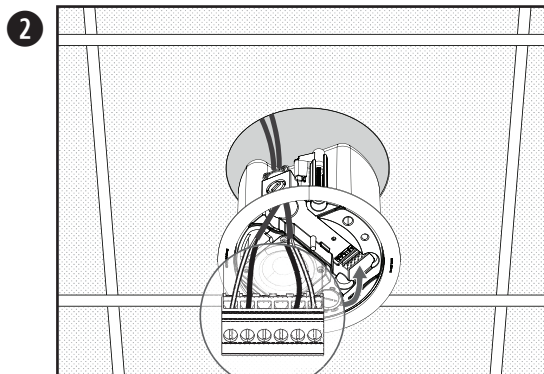
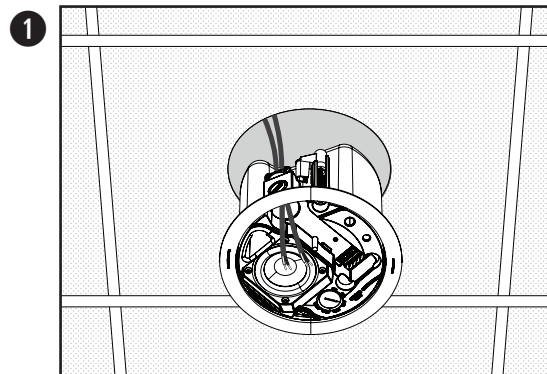


スピーカーの取り付け

1. オーディオケーブルを配線用の通線部に通します。
2. 配線した端子をスピーカーに接続します。導管器具を使用している場合は、器具を締めます。配線について詳しくは、75ページの「スピーカーの配線」を参照してください。
3. スピーカーを開口部に入れてタイルブリッジまたはラフィンパン(76ページ参照)に挿入し、アンカーアームのネジを反時計回りに半分回して緩めます。アンカーアームがタイルブリッジまたはラフィンパンに噛み合うまで、スピーカーをゆっくりと下ろします。
4. アンカーアームのネジを締めてスピーカーを固定します。



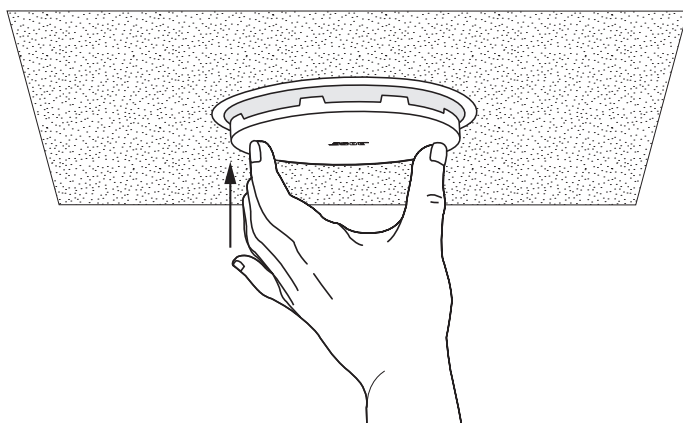
警告: ネジを強く締めすぎたり、緩めすぎたりすると、アンカーアーム、アンカーの取り付けポイント、天井の破損につながり、落下事故を招くおそれがあります。



グリルを取り付ける

注: グリルの取り付けの前に、設置に合わせてスピーカーのタップ設定を適切な値に調整します。75ページのスピーカーの設定を参照してください。

設置に合わせてロゴの方向を決定したら、グリルをスピーカーエンクロージャーの内側に合わせ、固定されるまで上向きに押します。必要により、グリルタブを内側に押ししてスピーカーエンクロージャー内に適切に収めます。



グリルの取り外し

小型の工具(直径1.5ミリ以内)をグリルの端に挿入し、引いてグリルを取り外します。



注意: ドライバーを使ってグリルをエンクロージャーから無理にこじ開けないでください。スピーカーの破損につながるおそれがあります。

安全上のコンプライアンス

Bose FreeSpace FS2Cは幅広いテストに合格しており、次の仕様と用途に準拠しています。

ANSI/UL 1480-2016, CAN/ULC-S541認証

防火信号用途 - UL Category UUMW/UUMW7, File Number S 3241Control Number 42S9。

DC監視システムには使用しない

乾燥した屋内での使用に対応しています。

EN 54-24: 2008, Loudspeaker for Voice Alarm Systems for Fire Detection and Fire Alarm Systems for Buildings

環境タイプ: A (屋内用途)

NFPA 70, 米国電気規格 (2002年, 第640条) に準拠したクラス1, クラス2, クラス3の配線による設置に対応

NFPA 70, 米国電気規格 (2002年, 第760条) に準拠した火災警報回路配線方法の使用に対応

空調およびプレナム空間内での使用に対応しています。

UL-2043, Fire Test and Visible Smoke Release for Discrete Products and their Accessories Installed in Air Handling Spaces

NFPA 70, 米国電気規格, 2002年, 第300-22(c)条

NFPA 90-A, 2002年, Installation of Air Conditioning and Ventilation Systems, 第4.3.10.2.6.5節

CEマークの表示, およびEMC指令89/336/EECおよび指令の第10(1)条, EN50081-1およびEN50082-1に準拠。

FreeSpace FS2Cは、組み合わせシステム向けの以下の欧州規制仕様で規定されている要件に適合するように設計されています。

英国規格実務規則BS 5839, パート8(セラミックブロック端子および温度ヒューズを併用する場合)

IEC60268-5のテストを実施。

公称カバレッジ角度 (UL 1480に準拠)

垂直: -3 dBで145°/25°、-6 dBで170°/5°

水平: -3 dBで140°/20°、-6 dBで170°/5°

UL, 3.1m (10フィート) での感度ワット数タップ音圧レベル (dBA):

ワット数 タップ	CAN/ULC-S541 カナダ		ワット数 タップ	ANSI/UL 1480-2016 米国	
	70 V	100 V		70 V	100 V
1 W	77.3 dBA	—	1 W	71.9 dBA	—
2 W	80.0 dBA	79.8 dBA	2 W	74.5 dBA	74.9 dBA
4 W	82.4 dBA	82.6 dBA	4 W	77.2 dBA	77.5 dBA
8 W	84.8 dBA	84.6 dBA	8 W	79.8 dBA	79.9 dBA
16 W	86.7 dBA	86.3 dBA	16 W	82.1 dBA	82.2 dBA
16 Ω	86.0 dBA	—	16 Ω	82.6 dBA	—

表記されているSPLはUL 1480指定のレポート方法に準拠しています。

周波数特性:

火災報知器 (UL): 95 Hz~17000 Hz

المعلومات التنظيمية

لا تقم بطلاء أو إجراء تعديلات على الأسطح الخارجية التي يضعها المصنع.

يتوافق هذا المنتج مع كل متطلبات توجيه الاتحاد الأوروبي المعمول بها. ويمكنك العثور على البيان الكامل للتوافق على: www.bose.com/compliance



يشير هذا الرمز إلى أنه يجب عدم التخلص من المنتج مع النفايات المنزلية ويجب تسليمه إلى منشأة مناسبة لجمع النفايات بهدف إعادة تدويره. ويساعد التخلص السليم وإعادة التدوير في حماية الموارد الطبيعية وصحة الإنسان والبيئة. للحصول على مزيد من المعلومات حول التخلص من هذا المنتج وإعادة تدويره، اتصل بالبلدية المحلية أو خدمة التخلص من النفايات أو المتجر الذي اشتريته منه هذا المنتج.



تاريخ التصنيع: يشير الرقم الثامن في الرقم التسلسلي إلى سنة التصنيع؛ حيث يشير الرقم "7" إلى 2007 أو 2017.

المستورد في الصين: Bose Electronics (Shanghai) Company Limited, Part C, Plant 9, No. 353 North Riving Road, China (Shanghai) Pilot Free Trade Zone

المستورد في الاتحاد الأوروبي: Bose Products B.V., Gorslaan 60, 1441 RG Purmerend, The Netherlands

المستورد في المكسيك: Bose de México, S. de R.L. de C.V., Paseo de las Palmas 405-204, Lomas de Chapultepec, 11000 México, D.F

المستورد في تايوان: Bose Taiwan Branch, 9F-A1, Minsheng East Road, Taipei, 3 Section, 10. No. 9F-A1, +886-2-2514 7676 رقم الهاتف: Taiwan, 104 City

إن Bose و FreeSpace و DesignMax هي علامات تجارية لشركة Bose Corporation المقر الرئيسي لشركة Bose: 1-877-230-5639

حقوق الطباعة والنشر © للعام 2020 لشركة Bose Corporation. يجب عدم استنساخ أي جزء من هذا المستند أو تعديله أو توزيعه أو حتى استخدامه بدون إذن خطي مسبق.

معلومات حول الضمان

يأتي هذا المنتج مع ضمان محدود. للحصول على تفاصيل حول الضمان، تفضل بزيارة PRO.BOSE.COM

يُرجى قراءة كل إرشادات السلامة والاستخدام والاحتفاظ بها.

هذا المنتج مصمم للتركيب بواسطة فني التركيب المتخصصين فقط! يهدف هذا المستند إلى تزويد فني التركيب المحترفين بإرشادات التركيب والسلامة الأساسية لهذا المنتج في أنظمة التركيب الثابت النموذجية. يُرجى قراءة هذا المستند وكل تحذيرات السلامة قبل محاولة التركيب.

لا تحاول صيانة هذا الجهاز بنفسك. بل قم بإحالة جميع أعمال الصيانة إلى مراكز الخدمات أو متخصصي التركيب أو الفنيين أو الوكلاء أو الموزعين المعتمدين. للتواصل مع خبير من Bose أو للعثور على وكيل أو موزع بالقرب منك، تفضل بزيارة موقع الويب PRO.BOSE.COM.

1. اقرأ هذه الإرشادات.
2. احتفظ بهذه الإرشادات.
3. انتبه إلى كل التحذيرات.
4. اتبع كل الإرشادات.
5. لا تستخدم هذا الجهاز بالقرب من الماء.
6. لا تستخدم سوى قطعة قماش جافة لتنظيف الجهاز.
7. لا تقم بسد أي فتحات للتهوية. ركب المنتج وفقاً لإرشادات الشركة المُصنعة.
8. لا تترك المنتج بالقرب من أي مصادر للحرارة، مثل أجهزة التدفئة أو فتحات التدفئة أو المواقد أو غيرها من الأجهزة (بما في ذلك مضخمات الصوت) التي ينتج عنها حرارة.
9. لا تستخدم سوى المرفقات/الملحقات التي تحددها الشركة المُصنعة.



تحذيرات/تنبيهات



يحتوي هذا المنتج على مادة مغناطيسية. استشر طبيبك لمعرفة ما إذا كان سيؤثر ذلك في أي أجهزة طبية مزروعة في جسمك.



يحتوي المنتج على أجزاء صغيرة قد تشكل خطر الاختناق. غير مناسب للأطفال دون 3 سنوات.



- هذا المنتج مخصص للاستخدام الداخلي فقط.
- يجب تركيب كل منتجات Bose وفقاً للوائح المحلية والحكومية والفيدالية والصناعية. يتحمل فني التركيب المتخصص مسؤولية ضمان تركيب مكبرات الصوت ونظام التنبيت بالتوافق مع كل القوانين المطبقة، بما في ذلك قوانين ولوائح البناء المحلية. يرجى مراجعة السلطات المحلية صاحبة الاختصاص قبل تركيب هذا المنتج.
- قد يتسبب التنبيت أو التعليق العلوي غير الآمن لأي حمل ثقيل بوقوع إصابات خطيرة أو الوفاة، وتلف الممتلكات. وتقع على عاتق فني التركيب مسؤولية تقييم مدى موثوقية أي طريقة تنبيت يتم استخدامها. يجب ألا يحاول تركيب أي مكبرات صوت علوية التعليق إلا فنيو التركيب المحترفون الذين يتمتعون بالمعرفة اللازمة بالمعدات المناسبة وطرق التنبيت الآمنة.
- تجنب تركيب المنتج في مواقع قد يتعرض فيها للماء أو التكاثف.
- لا تعرض هذا المنتج لقطرات السوائل المتساقطة أو المتناثرة ولا تضع أو عية مثلثة بالسوائل، مثل أواني الزهور، على المنتج أو بالقرب منه.
- هذا المنتج غير مصمم للتركيب أو الاستخدام داخل مرافق المياه في الأماكن المغلقة (بما في ذلك، على سبيل المثال لا الحصر، حمامات السباحة الداخلية والحدائق المائية المغلقة وأحواض الاستحمام الساخنة وغرف الساونا وغرف البخار وحلبات التزلج الداخلية).
- لا تقم بالتركيب على أسطح غير قوية أو توجد خلفها مخاطر خفية، مثل الأسلاك الكهربائية أو أنابيب المياه. احرص على يقوم فني تركيب محترف ومؤهل بتركيب الكثيفة وبما يتوافق مع قوانين البناء المحلية.
- لا تستخدم سوى المعدات والملحقات المضمنة أو المحددة من قبل Bose للاستخدام مع مكبرات الصوت FreeSpace FS2C. للحصول على معلومات حول الملحقات المتوافقة، راجع ورقة البيانات الفنية الخاصة بالمنتج على PRO.BOSE.COM.
- أبق المنتج بعيداً عن مصادر اللهب والحرارة. يجب عدم وضع أية مصادر للهب المكشوف، مثل الشموع المشتعلة، فوق المنتج أو بالقرب منه.
- لا تقم بإجراء أي تعديلات غير مصرح بها على هذا المنتج.
- لا تعرض مكبر الصوت أو مكونات التركيب لأي مواد كيميائية غير تلك التي تحددها شركة Bose، بما في ذلك على سبيل المثال لا الحصر، مواد التبييض أو مواد التنظيف أو بخاخات التلاصق، أو المذيبات القائمة على الهيدروكربون. فقد يؤدي التعرض لمواد مماثلة إلى تحلل المواد البلاستيكية، مما قد يتسبب بتصدع المنتج في وقت مبكر ويخطر السقوط.
- لا تنظف مكبرات الصوت إلا باستخدام قطعة قماش جافة. ولا تعرض مكبر الصوت للصابون أو المنظفات أو الزيوت المعدنية أو الكحول أو غيرها من مواد التنظيف أو المواد الكيميائية.

تصنيفات المنتج:

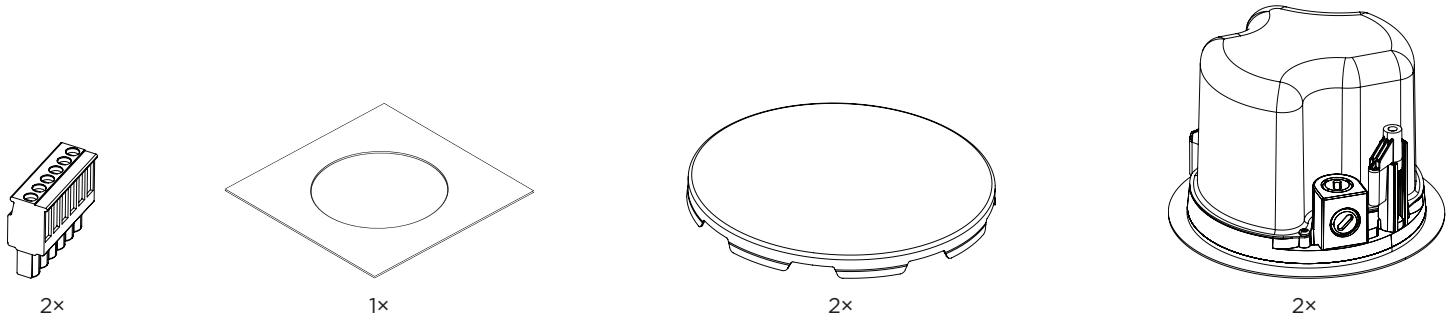
الجهد الكهربائي للدخل: 70 فولت/100 فولت

المعاوقة: 16 أوم، 16 أوط

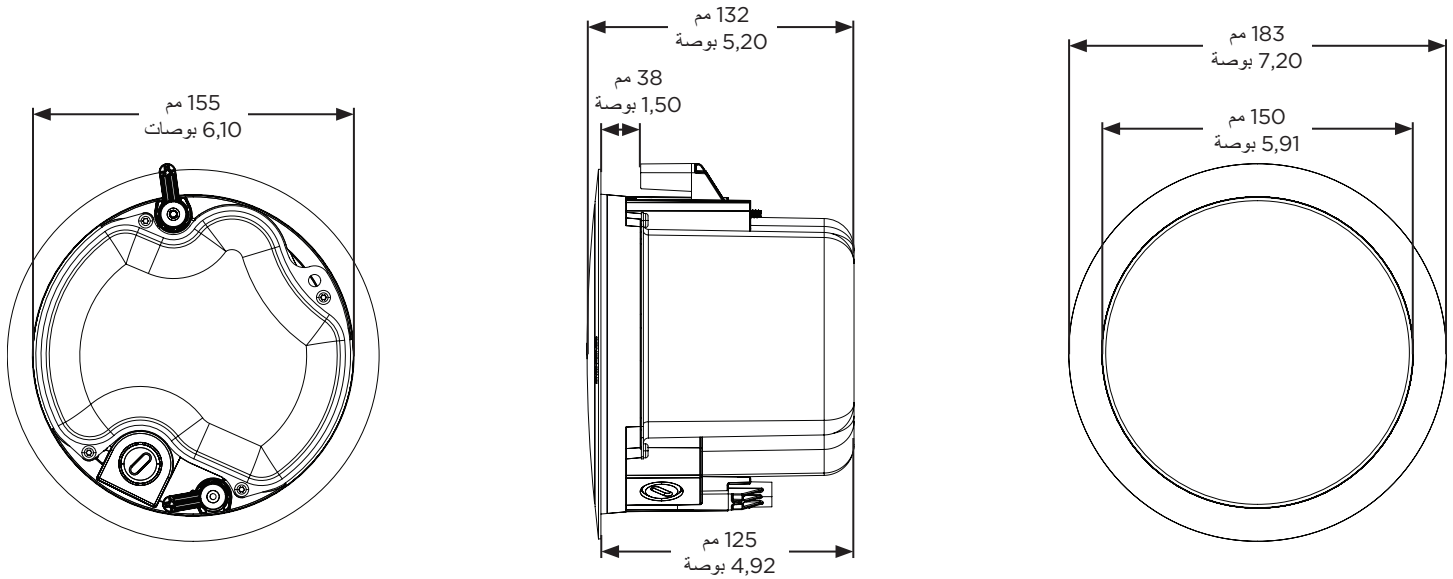
التيار أو الطاقة: (70 فولت): 1 واط، 2 واط، 4 واط، 8 واط، 16 واط؛ (100 فولت): 2 واط،

4 واط، 8 واط، 16 واط

محتويات العبوة



أبعاد المنتج



معلومات هامة حول التركيب

المواصفات الفنية

قبل تركيب مكبر الصوت، راجع القسم إرشادات مهمة حول السلامة في الصفحة 79.



لاستخدامات إخطار الحريق والإخلاء، ببني، تصنيف IP21C بحسب EN 24-54.



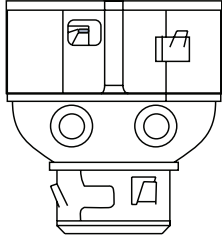
للحصول على مواصفات إضافية، راجع ورقة البيانات الفنية لمكبر الصوت FreeSpace FS2C على PRO.BOSE.COM. للحصول على مواصفات EN 24-54 (بما في ذلك الموازن الخارجي المطلوب)، راجع تصنيفات FreeSpace FS2C EN المعتمدة 24-54 المعتمدة PRO.BOSE.COM على (00 .Rev AM857600).

مادي	أبعاد المنتج
قطر مكبر الصوت: 183 مم (بوصة 7,20)	
قطر العلبة: 155 مم (بوصات 6,10)	
عمق الوعاء المعدني الخلفي: 125 مم (بوصة 4,92)	
فتحة الثقب	165 مم (بوصة 6,50)
سماعة السقف القسوى	38 مم (بوصة 1,50)
الوزن الصافي لمكبر الصوت مع الحاجز الشبكي (فردى)	1,63 كجم (3,60 رطلاً)
وزن الشحن (زوج)	4,40 كجم (9,70 رطلاً)
البيئة	للاستخدام الداخلي فقط

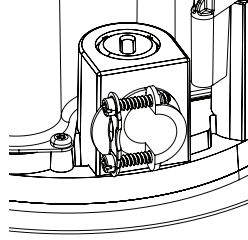
خيارات التركيب

تجهيزات الماسورة

في حال كنت تستخدم ماسورة معدنية مرنة، فاستخدمها مع تجهيزات ماسورة بحجم 3/8-بوصات أو موصل ثنائي (مزدوج) يبلغ 3/8-بوصات.
ملاحظة: لا تكون تجهيزات الماسورة متوفرة مع الجهاز.



3/8-بوصات، مزدوجة

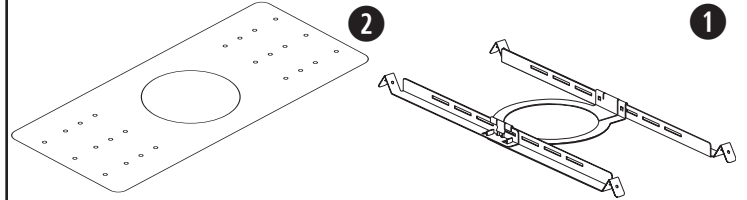


3/8-بوصات، فردية

خيارات التركيب والملحقات

يجب توفر أحد الخيارين التاليين للتركيب. راجع دليل تركيب الملحق ذي الصلة على موقع PRO.BOSE.COM للحصول على إرشادات التركيب.

- 1 عارضة ألواح قابلة للضغط (غير مضمنة)
- 2 قاعدة مسطحة صلبة (غير مضمنة)



اختيار طريقة التركيب

1 التثبيت العلوي

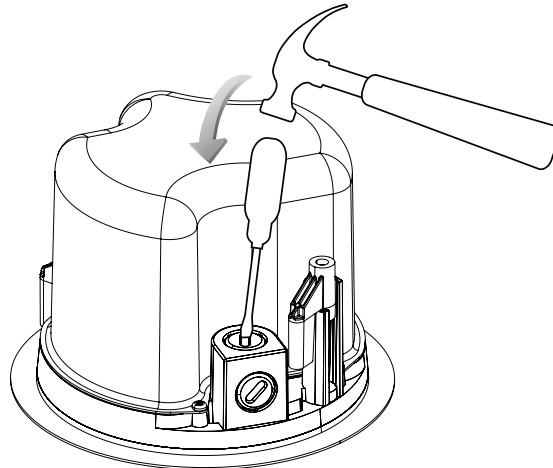
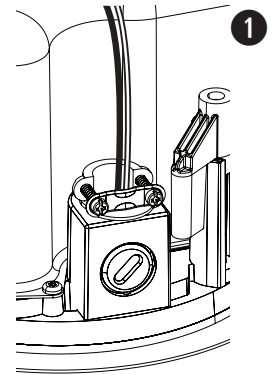
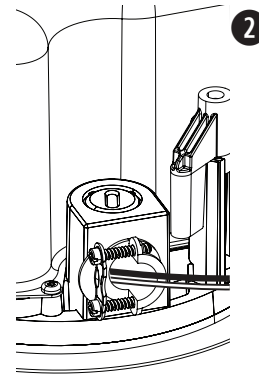
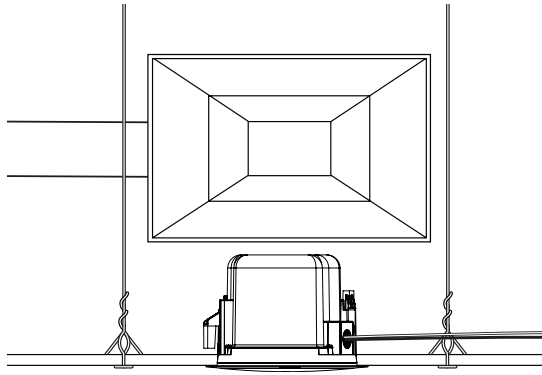
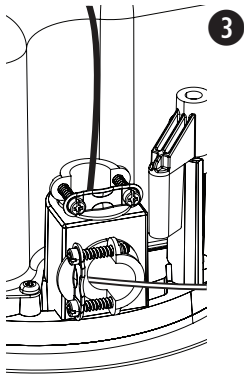
استخدم التثبيت العلوي عند توفر مساحة أعلى السقف.

2 التثبيت الجانبي

استخدم التثبيت الجانبي عند وجود مساحة محدودة أعلى السقف.

3 التثبيت من الناحيتين

استخدم التثبيت من الناحيتين عندما يلزم توفر مخطط أسلاك لدخول الإشارة وخرج الإشارة المستقل وتوفر مساحة فوق السقف.

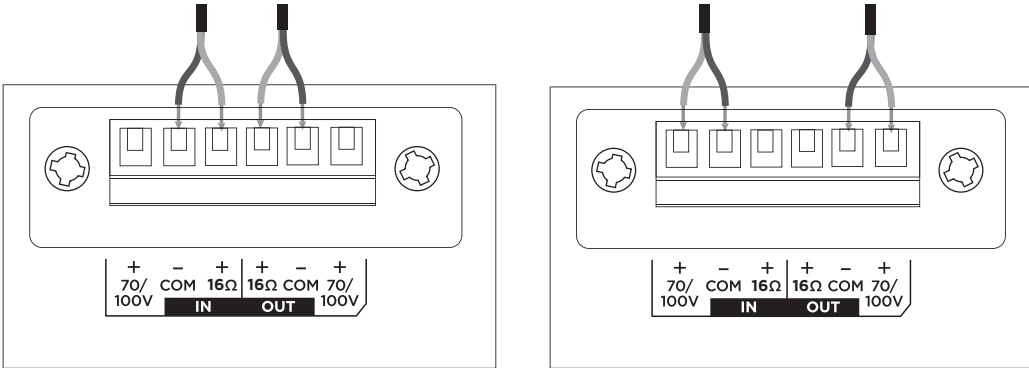


توصيل أسلاك مكبر الصوت

قياس الأسلاك

تم تصميم مكبر الصوت FreeSpace FS2C للعمل بأسلاك مقياس 18 بمقياس السلك الأمريكي (0,8 مم²) إلى 14 بمقياس السلك الأمريكي (2,1 مم²) فقط.

مخططات التوصيل



16 أوم

100/70 فولت

اكتشف ستة ملليمترات (1/4 بوصة) من السلك العاري لتوصيله بالأطراف.

ملاحظة: يجب أن تتوافق طريقة توصيل الأسلاك مع:

في كندا، CSA C22.1، القانون الكهربائي الكندي، الجزء الأول، معيار السلامة للتركيبات الكهربائية، القسم 32؛

في الولايات المتحدة، القانون الكهربائي الوطني، NFPA 70، والقانون الوطني لإنذارات الحريق وتبادل الإشارات، NFPA 72.

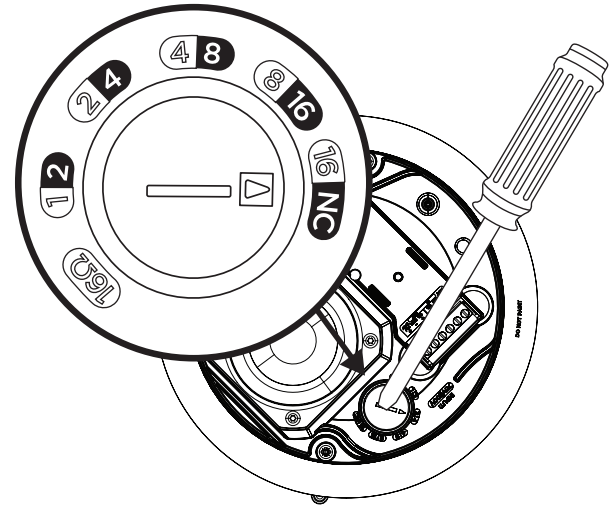
إعدادات مكبر الصوت

70 فولت					
16 أوم	1 واط	2 واط	4 واط	8 واط	16 واط*
	2 واط	4 واط	8 واط	16 واط	**NC
100 فولت					

* القيمة الافتراضية للشركة المصنعة ** NC: بدون توصيل (لا تستخدمه)

إعداد تفريغ المحوّل

تثبيت التفريغ بإدارته. استخدم مفك براغي برأس مسطح.



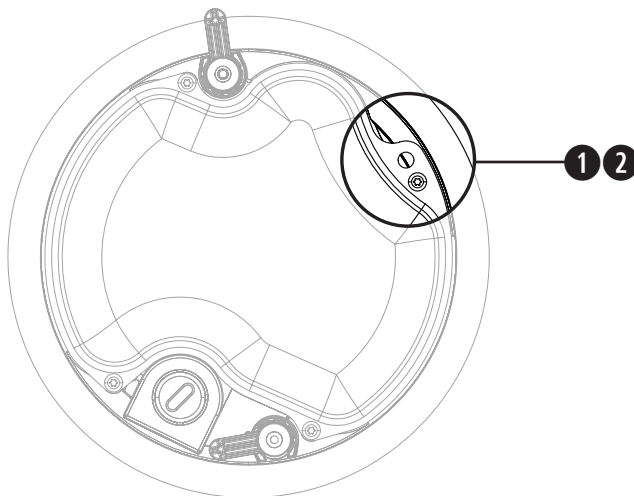
تحضير التركيب

استخدام كبل الأمان

تتطلب بعض قوانين البناء الإقليمية استخدام طريقة ثانوية لتثبيت مكبرات الصوت بإحكام، بهدف دعم الهياكل وتوفير مستوى إضافي من الأمان. اختر وضعية وطريقة ومعدات للتركيب متوافقة مع قوانين ولوائح البناء المحلية.

توصي Bose باستخدام (1) سلك أمان أو (2) كبل أمان كآلية تثبيت ثانوية. راجع الرسم البياني الموجود في الجهة اليسرى لمعرفة نقاط التثبيت الآمنة.

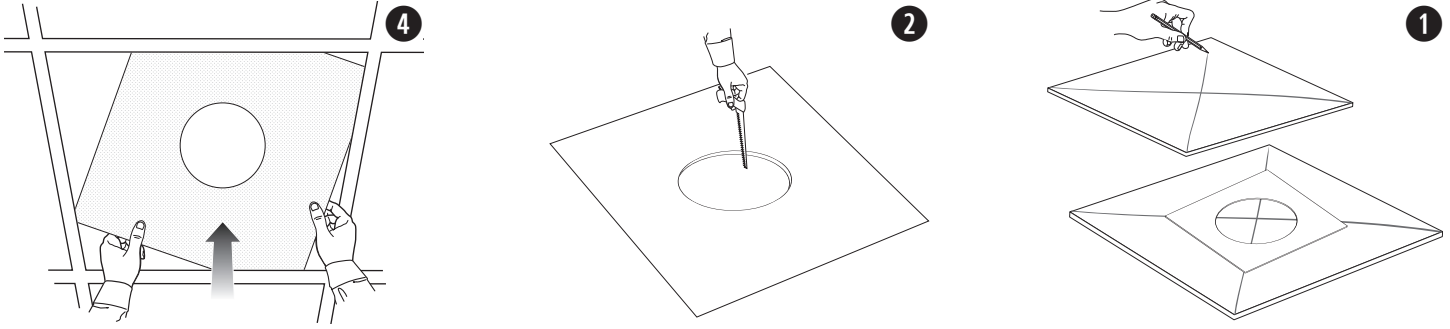
اتبع إرشادات الجهة المصنعة عند استخدام أي آلية تثبيت ثانوية.



التحضير لتركيب عارضة ألواح

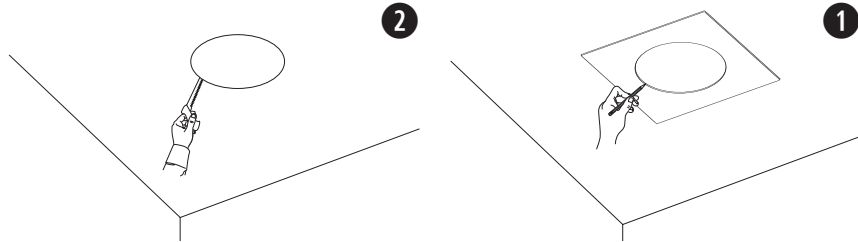
لوح السقف

1. قم بإزالة اللوح واستخدم القالب لرسم شكل ثقب مكبر الصوت على اللوح. لمحاذاة القالب في وسط اللوح، ارسم حرف "X" عن طريق توصيل الزوايا قترًا، ثم ضع القالب في الوسط باستخدام نقطة التقاطع.
2. قم بإجراء ثقب في اللوح.
3. ركب عارضة الألواح للحصول على الإرشادات حول كيفية تركيب عارضة ألواح، راجع دليل التركيب الخاص بعارضة الألواح ذي الصلة على موقع PRO.BOSE.COM.
4. استبدل لوح السقف.



السقف الصلب

1. استخدم القالب لرسم ثقب في السقف.
2. قم بإجراء ثقب في السقف.
3. ركب عارضة الألواح للحصول على الإرشادات حول كيفية تركيب عارضة ألواح، راجع دليل التركيب الخاص بعارضة الألواح ذي الصلة على موقع PRO.BOSE.COM.



التركيب في سقف صلب باستخدام قاعدة مسطحة صلبة (بنية جديدة)

- للحصول على معلومات حول كيفية تركيب قاعدة مسطحة صلبة، راجع دليل التركيب الخاص بالقاعدة المسطحة الصلبة من DesignMax وFreeSpace على موقع PRO.BOSE.COM. بعد تركيب القاعدة المسطحة الصلبة، راجع تركيب مكبر الصوت في الصفحة 84.

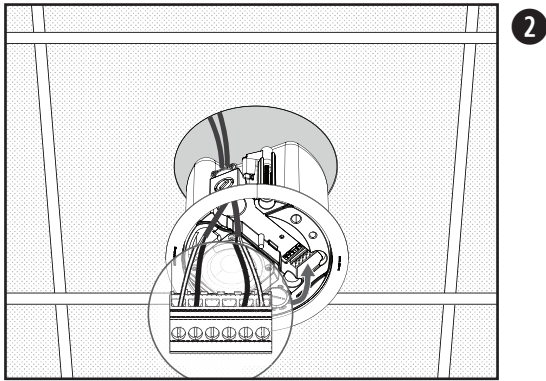
نقطة توصيل الطرف المصنوع من السيراميك

يتوافق FreeSpace FS2C مع ملحق طرف اختياري مصنوع من السيراميك. راجع الرسم البياني لمعرفة مكان نقطة توصيل الطرف المصنوع من السيراميك. للحصول على مزيد من المعلومات حول الطرف المصنوع من السيراميك، راجع دليل تركيب الطرف المصنوع من السيراميك على موقع PRO.BOSE.COM.

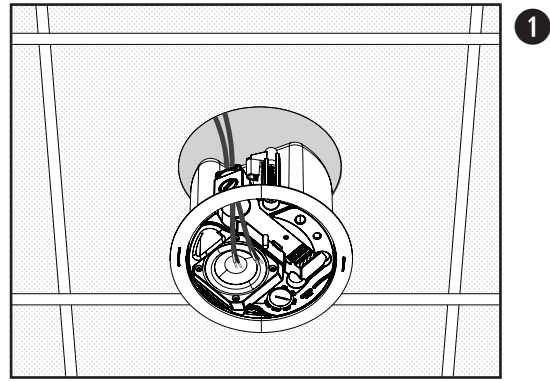


تركيب مكبر الصوت

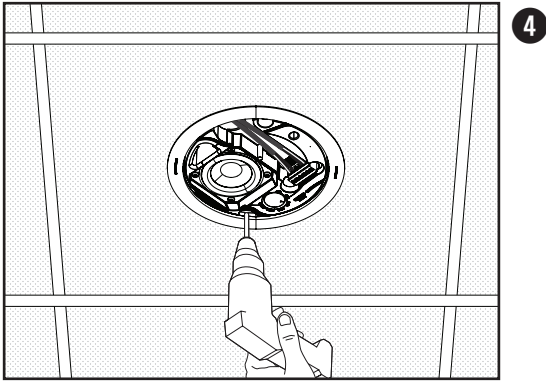
1. مرر سلك الصوت عبر فتحة الأسلاك.
2. اقم بتوصيل سلك الموصل وأدخله في مكبر الصوت. أحكم شدّ تجهيزات ربط المواسير، إذا كان ذلك مطبقًا. للحصول على معلومات حول توصيل الأسلاك، راجع توصيل أسلاك مكبر الصوت في الصفحة 82.
3. أدخل مكبر الصوت عبر الفتحة وفي عارضة الألواح أو في القاعدة المسطحة الصلبة (راجع الصفحة 83) وأبر (بعكس اتجاه عقارب الساعة) براغي ذراع الخطاف بمقدار نصف دورة لتحرير أذرع الخطاف. قم بخفض مستوى مكبر الصوت ببطء حتى تثبتك أذرع الخطاف مع عارضة الألواح أو القاعدة المسطحة الصلبة.
4. أحكم شدّ براغي أذرع الخطاف لتثبيت مكبر الصوت في مكانه. **تحذير:** قد يؤدي شدّ البراغي بشكل مفرط أو حتى إرخائها بشكل مفرط إلى إلحاق ضرر بأذرع الخطاف أو نقطة توصيل الخطاف أو السقف، ما قد يؤدي إلى خطر السقوط.



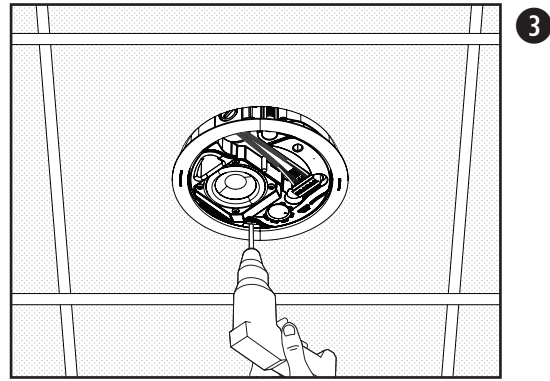
2



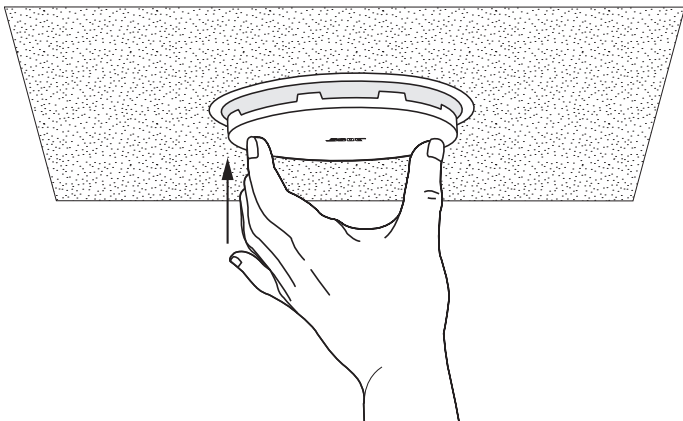
1



4



3



تركيب الحاجز الشبكي

ملاحظة: قبل تركيب الحاجز الشبكي، اضبط إعدادات نقطة تفرع مكبر الصوت على الإعداد المناسب للتركيب. راجع إعدادات مكبر الصوت في الصفحة 82.

بعد تحديد درجة ميل الشعار المناسبة للتركيب، قم بمحاذاة الحاجز الشبكي مع الجانب الداخلي من علبة مكبر الصوت وادفعه لأعلى حتى يتم تثبيته في مكانه. إذا لزم الأمر، ادفع السنة الحاجز الشبكي نحو الداخل لتركيبتها بطريقة صحيحة في علبة مكبر الصوت.

إزالة الحاجز الشبكي

أدخل أداة صغيرة (لا يزيد قطرها عن 1,5 مم) عبر ثقب الحاجز الشبكي الموجودة عند حافة هذا الأخير واسحبها لفك تشبيق الحاجز الشبكي. **تنبيه:** لا تستخدم مفك براغي لإزالة الحاجز الشبكي من العلبة. قد يؤدي ذلك إلى إلحاق الضرر بمكبر الصوت.



السلامة والامتثال التنظيمي

اجتاز مكبر الصوت FreeSpace FS2C من Bose الاختبارات وهو يتوافق مع المواصفات والاستخدامات التالية:

مدرج ضمن معيار ANSI/UL 1480-2016 CAN/ULC-S541

استخدام إرسال إشارات الوقاية من الحرائق UUMW/ UUMW7- من الفئة UL، رقم الملف S 3241. رقم التحكم 42S9. غير مخصص للاستخدام مع أنظمة مراقبة التيار المستمر.

مناسب للاستخدام في الداخل في الأماكن الجافة.

EN 24-54، للعام 2008، مكبر صوت لأنظمة التنبيه الصوتي لاكتشاف الحرائق وأنظمة إنذار الحريق للمباني

النوع البيئي: A (الاستخدامات الداخلية)

مناسب للتركيب باستخدام طرق توصيل الأسلاك من الفئة 1 أو الفئة 2 أو الفئة 3 بما يتوافق مع NFPA 70 القانون الكهربائي الوطني، العام 2002، المادة 640

مناسب للاستخدام مع طرق توصيل أسلاك دوائر إنذار الحريق بما يتوافق مع المعيار NFPA 70، من القانون الكهربائي الوطني، العام 2002، المادة 760.

مناسب للاستخدام في أماكن التهوية التي تتم فيها معالجة الهواء.

المعيار UL-2043، اختبار الحريق وإطلاق دخان مرني للمنتجات المنفصلة وملحقاتها المثبتة في أماكن معالجة الهواء.

المعيار NFPA 70، من القانون الكهربائي الوطني، العام 2002، المادة (c) 22-300.

المعيار NFPA 90-A، العام 2002، تركيب أجهزة تكييف الهواء وأنظمة التهوية، الفقرة 4.3.10.2.6.5.

توجيه التوافق الكهرومغناطيسي (EMC) EEC/89/336 والمادة 10 (1) من التوجيه، EN50081-1 وEN50082-1 وفقاً لعلامة CE.

تم تصميم مكبر الصوت FreeSpace FS2C وفقاً للمتطلبات المحددة في المواصفات التنظيمية الأوروبية التالية للأنظمة المجمعة:

قانون الممارسات القياسية البريطاني BS 5839، الجزء 8، عند الاستخدام مع صندوق الطرف المصنوع من السيراميك والمنصهر الحراري.

تم الاختبار وفقاً لمعيار IEC60268-5.

زاوية التغطية الاسمية (لكل UL 1480) عمودي: 145/25 درجة على 3-ديسيبل؛ 175/5 درجة على 6-ديسيبل
أفقي: 140/20 درجة على 3-ديسيبل؛ 175/5 درجة على 6-ديسيبل

مستوى حساسية ضغط مأخذ القدرة بالواط لحساسية UL بالديسيبل (A) عند 3.1 أمتار (10 أقدام):

معيار ANSI/UL 1480-2016 في الولايات المتحدة		القدرة الكهربائية بالواط
100 فولت	70 فولت	المأخذ
—	71.9 ديسيبل A	1 واط
A 74.9 ديسيبل	A 74.5 ديسيبل	2 واط
A 77.5 ديسيبل	A 77.2 ديسيبل	4 واط
A 79.9 ديسيبل	A 79.8 ديسيبل	8 واط
A 82.2 ديسيبل	A 82.1 ديسيبل	16 واط
—	A 82.6 ديسيبل	16 أوم

معيار CAN/ULC-S541 في كندا		القدرة الكهربائية بالواط
100 فولت	70 فولت	المأخذ
—	77.3 ديسيبل A	1 واط
A 79.8 ديسيبل	A 80.0 ديسيبل	2 واط
A 82.6 ديسيبل	A 82.4 ديسيبل	4 واط
A 84.6 ديسيبل	A 84.8 ديسيبل	8 واط
A 86.3 ديسيبل	A 86.7 ديسيبل	16 واط
—	A 86.0 ديسيبل	16 أوم

يتم تحديد مستويات ضغط الصوت وفقاً لطريقة الإبلاغ المحددة UL 1480.

استجابة التردد:

إنذار بالحريق (UL) من 95 هرتز إلى 17 كيلوهرتز



861336-0020

©2020 Bose Corporation, All rights reserved.
Framingham, MA 01701-9168 USA
PRO.BOSE.COM
AM861336 Rev. 01
December 2020

