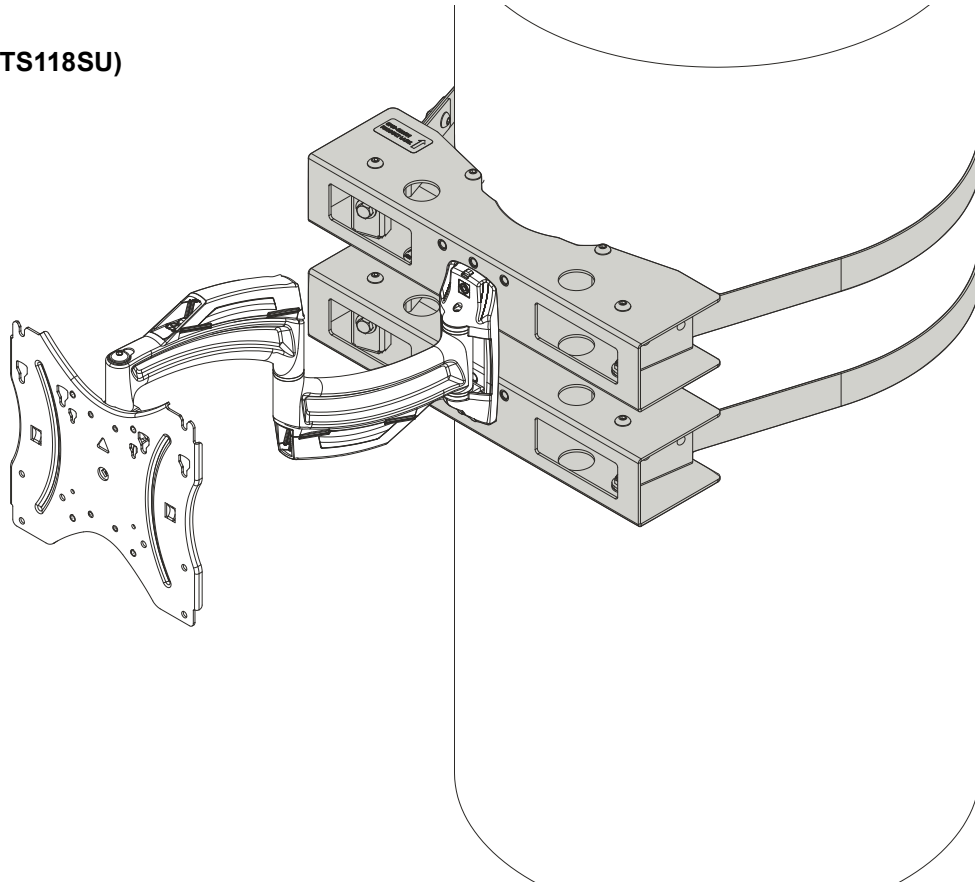

INSTALLATION INSTRUCTIONS

(with TS118SU)



Structural Column Adapter

 **CHIEF**[®]

A brand of  **legrand**[®]

FCASCA

DISCLAIMER

Legrand | AV and its affiliated corporations and subsidiaries (collectively "Legrand | AV"), intend to make this manual accurate and complete. However, Legrand | AV makes no claim that the information contained herein covers all details, conditions or variations, nor does it provide for every possible contingency in connection with the installation or use of this product. The information contained in this document is subject to change without notice or obligation of any kind. Legrand | AV makes no representation of warranty, expressed or implied, regarding the information contained herein. Legrand | AV assumes no responsibility for accuracy, completeness or sufficiency of the information contained in this document.

DEFINITIONS

MOUNTING SYSTEM: A MOUNTING SYSTEM is the primary Chief product to which an accessory and/or component is attached.

ACCESSORY: AN ACCESSORY is the secondary Chief product which is attached to a primary Chief product, and may have a component attached or setting on it.

COMPONENT: A COMPONENT is an audiovisual item designed to be attached or resting on an accessory or mounting system such as a video camera, CPU, screen, display, projector, etc.



WARNING: A WARNING alerts you to the possibility of serious injury or death if you do not follow the instructions.



CAUTION: A CAUTION alerts you to the possibility of damage or destruction of equipment if you do not follow the corresponding instructions.



IMPORTANT SAFETY INSTRUCTIONS



WARNING: Failure to read, thoroughly understand, and follow all instructions can result in serious personal injury, damage to equipment, or voiding of factory warranty! It is the installer's responsibility to make sure all accessories are properly assembled and installed using the instructions provided.



WARNING: Failure to provide adequate structural strength for this accessories can result in serious personal injury or damage to equipment! It is the installer's responsibility to make sure the structure to which this accessory is attached can support five times the combined weight of all equipment. Reinforce the structure as required before installing the accessory.



WARNING: Exceeding the weight capacity can result in serious personal injury or damage to equipment! It is the installer's responsibility to make sure the combined weight of all components attached to accessory does not exceed the weight limit of the mount to which it is attached.



WARNING: Use this accessory only for its intended use as described in these instructions. Do not use attachments not recommended by the manufacturer.



WARNING: Never operate this accessory if it is damaged. Return the accessory to a service center for examination and repair.

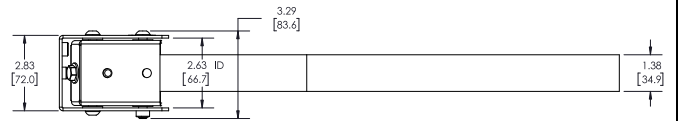
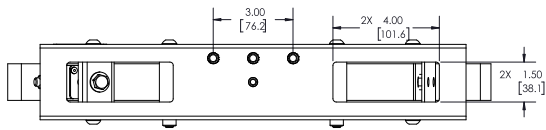
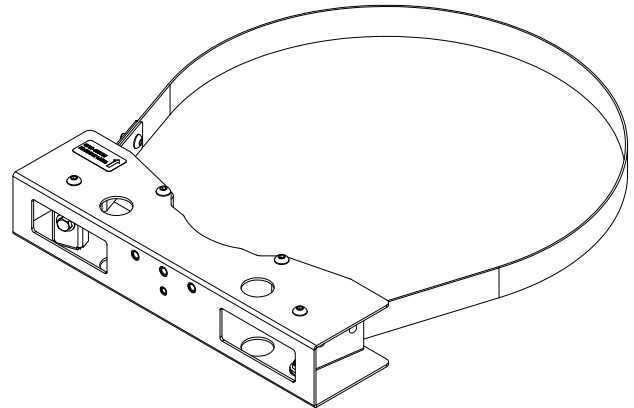
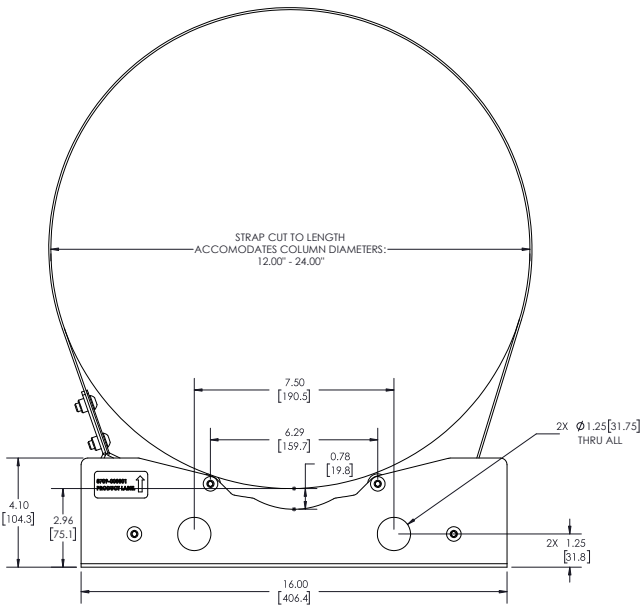


WARNING: Do not use this accessory outdoors.

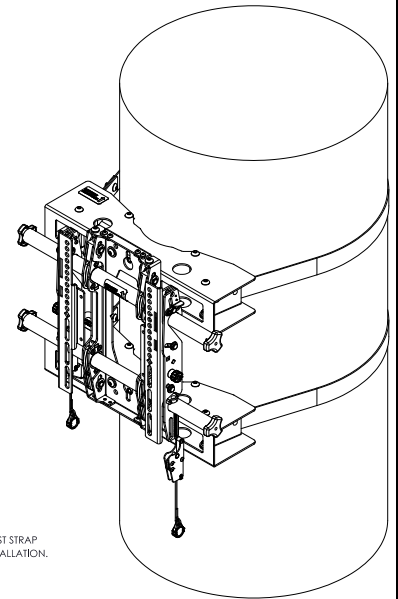
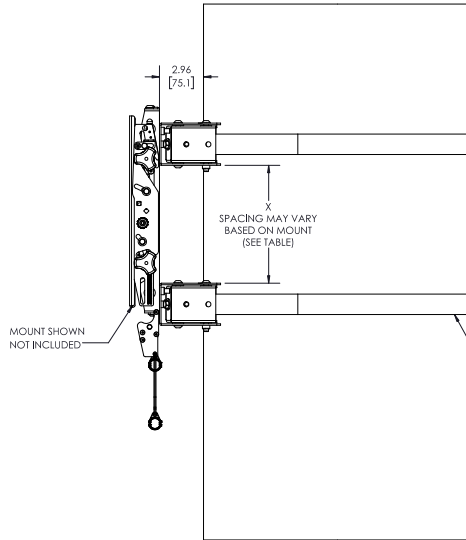
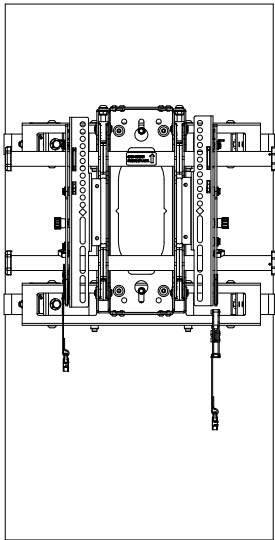
IMPORTANT ! : The FCASCA accessory is designed to be mounted to concrete columns between 12-24" in diameter.

--SAVE THESE INSTRUCTIONS--

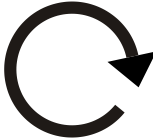

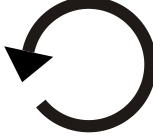


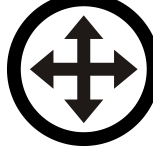






DIMENSIONS



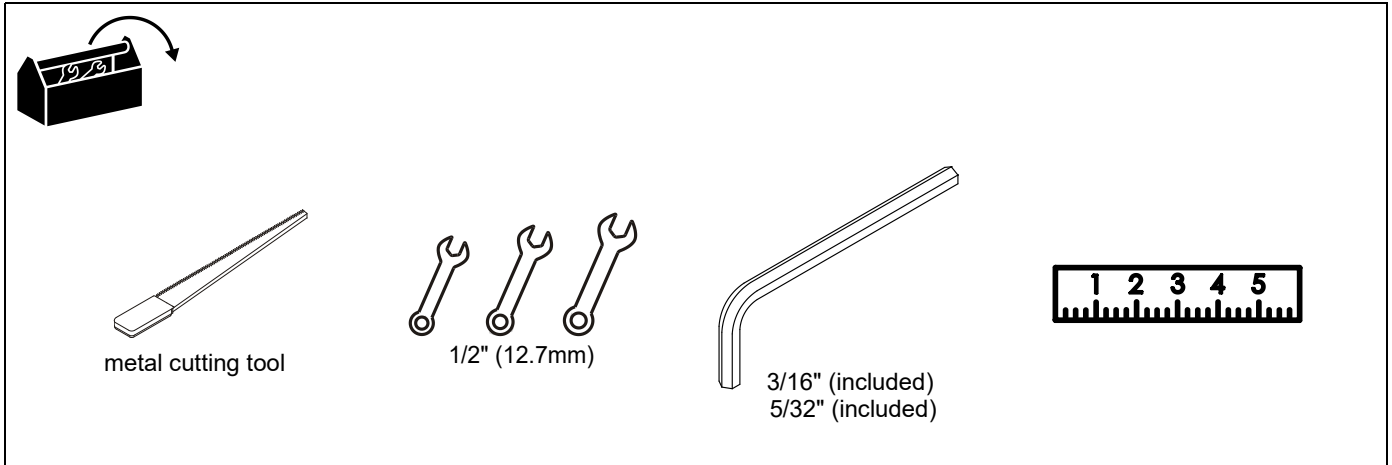
MOUNT STYLE	LENGTH (X)
MTMS1U	7.92"
MTM1U, MSM1U, MTMP1U	13.17"
TS118SU	1.99"
TS218SU	5.17"
TS318SU D	9.50"
FMSWM	11.17"



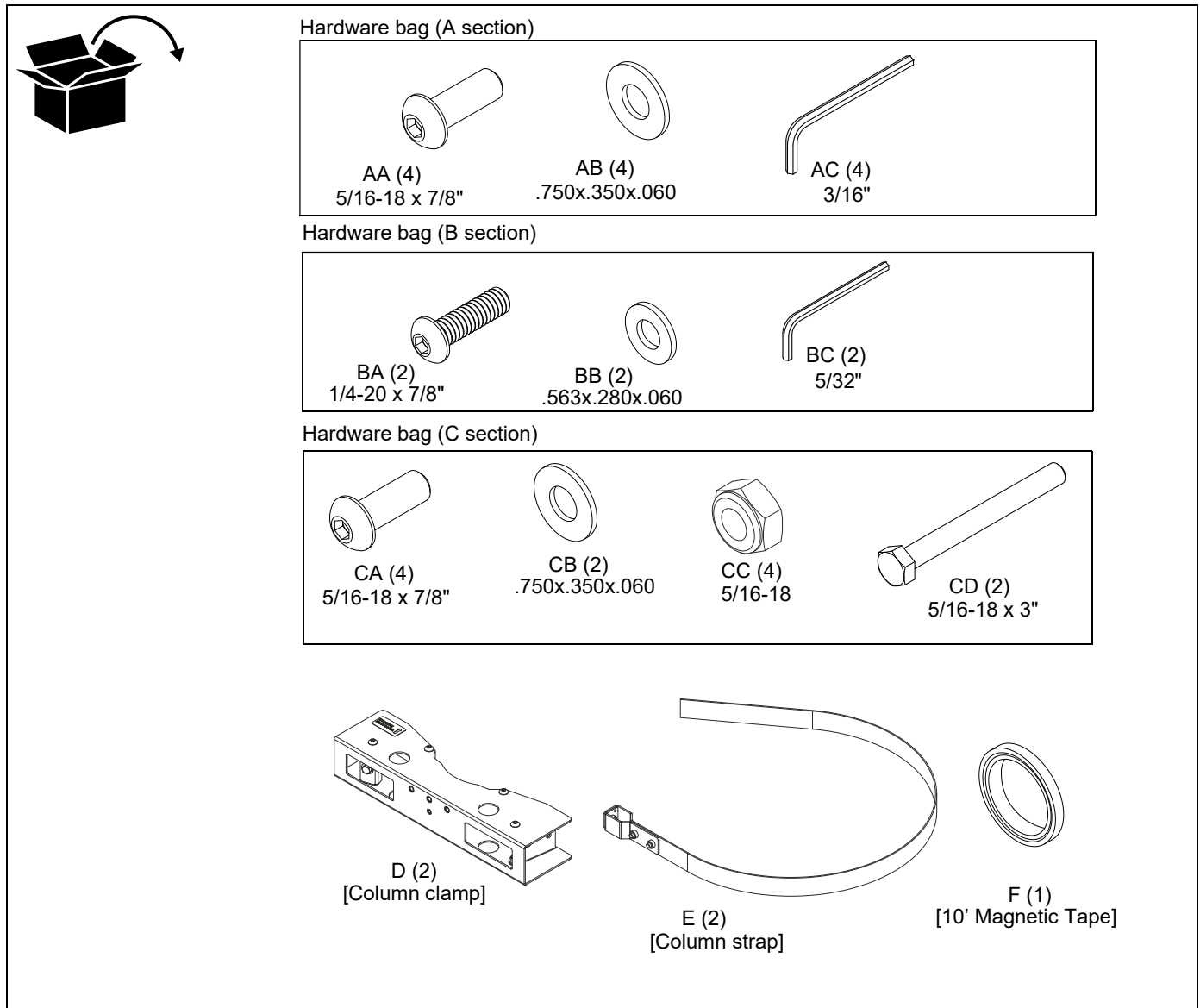
LEGEND

	Tighten Fastener Apretar elemento de fijación Befestigungsteil festziehen Apertar fixador Serrare il fissaggio Bevestiging vastdraaien Serrez les fixations		Pencil Mark Marcar con lápiz Stiftmarkierung Marcar com lápis Segno a matita Potloodmerkteken Marquage au crayon
	Loosen Fastener Aflojar elemento de fijación Befestigungsteil lösen Desapertar fixador Allentare il fissaggio Bevestiging losdraaien Desserrez les fixations		Drill Hole Perforar Bohrloch Fazer furo Praticare un foro Gat boren Percez un trou
	Phillips Screwdriver Destornillador Phillips Kreuzschlitzschraubendreher Chave de fendas Phillips Cacciavite a stella Kruiskopschroevendraaier Tournevis à pointe cruciforme		Adjust Ajustar Einstellen Ajustar Regolare Afstellen Ajuster
	Open-Ended Wrench Llave de boca Gabelschlüssel Chave de bocas Chiave a punte aperte Steeksleutel Clé à fourche		Remove Quitar Entfernen Remover Rimuovere Verwijderen Retirez
	By Hand A mano Von Hand Com a mão A mano Met de hand À la main		Optional Opcional Optional Opcional Opzionale Optie En option
	Hex-Head Wrench Llave de cabeza hexagonal Sechskantschlüssel Chave de cabeça sextavada Chiave esagonale Zeskantsleutel Clé à tête hexagonale		Security Wrench Llave de seguridad Sicherheitsschlüssel Chave de segurança Chiave di sicurezza Veiligheidssleutel Clé de sécurité

TOOLS REQUIRED FOR INSTALLATION



PARTS



Assembly And Installation

1. Cut column straps (E) to length based on size of structural column. See table below for details.

Diameter	Strap Length
12"	32"
18"	47.5"
24"	65"

NOTE: If structural column is not one of these exact diameters, it will be necessary to temporarily install strap around column to determine where it should be cut.

2. Use two 5/16-18 x 7/8" button head cap screws (CA) and two 5/16-18 hex nuts (CC) to attach column strap (E) to column clamp (D). (See Figure 1)

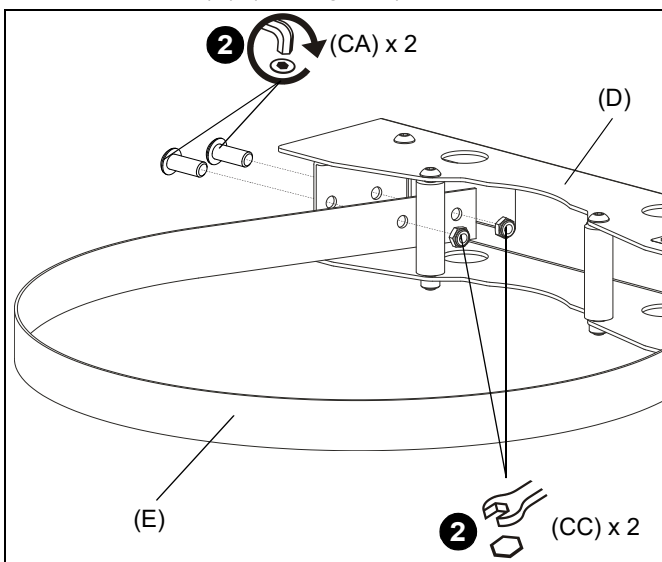


Figure 1

3. Wrap strap around column at desired mounting height. (See Figure 2)
4. Use 5/16-18 x 3" hex head carriage screw (CD) and .750x.350x.060 spacers (CB) to secure strap around column. Tighten to a torque rating of 75 inch pounds. (See Figure 2)

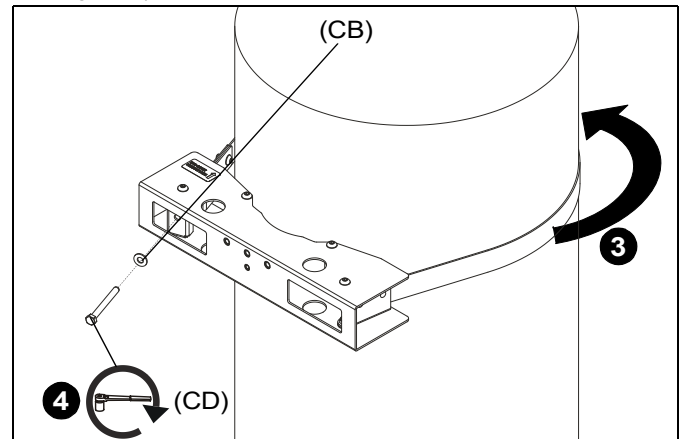


Figure 2

Thinstall Mounts (TS118/218/318) and FMSWM

NOTE: If installing to MTMP1U, MTM1U, MSM1U or MTMS1U proceed to **MTMP1U/MTM1U/MSM1U/MTMS1U** section.

5. Loosely install appropriate hardware (AA and AB) or (BA and BB) to appropriate mounting hole in top column clamp (D). (See Figure 3) or (See Figure 4)
6. Hang mount onto loosely installed screw and tighten screw.
7. Install lower column clamp (D) following Steps 1-4, aligning it with the lower mounting hole on mount. (See Figure 3) or (See Figure 4)
8. Use appropriate hardware (AA and AB) or (BA and BB) to secure mount to lower column clamp (D). (See Figure 3) or (See Figure 4)

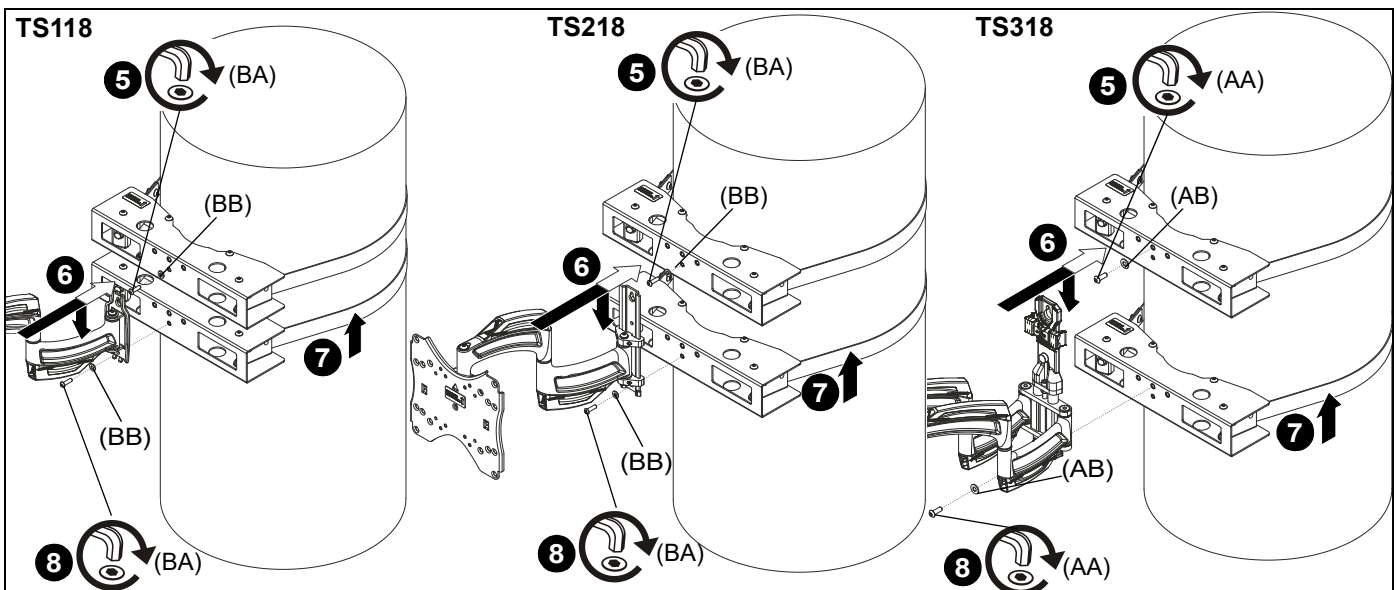


Figure 3

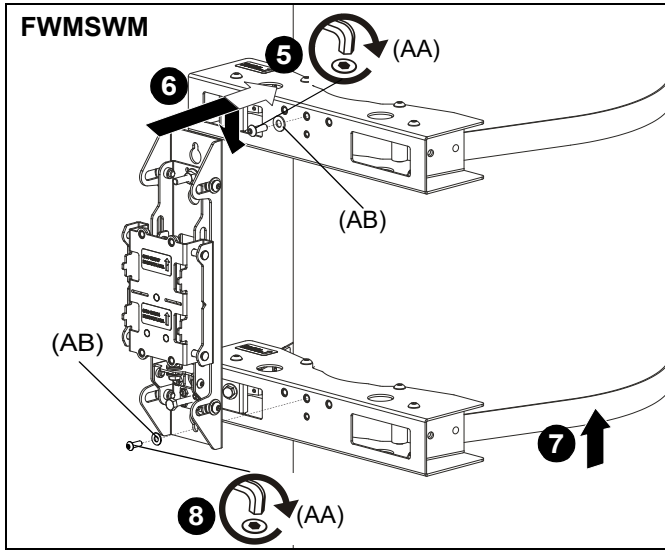


Figure 4

MTMP1U/MTM1U/MSM1U/MTMS1U

- Use two 5/16-18 x 7/8" button head cap screws (AA) and two .750x.350x.060 spacers (AB) to secure mount to top column clamp (D). (See Figure 5)

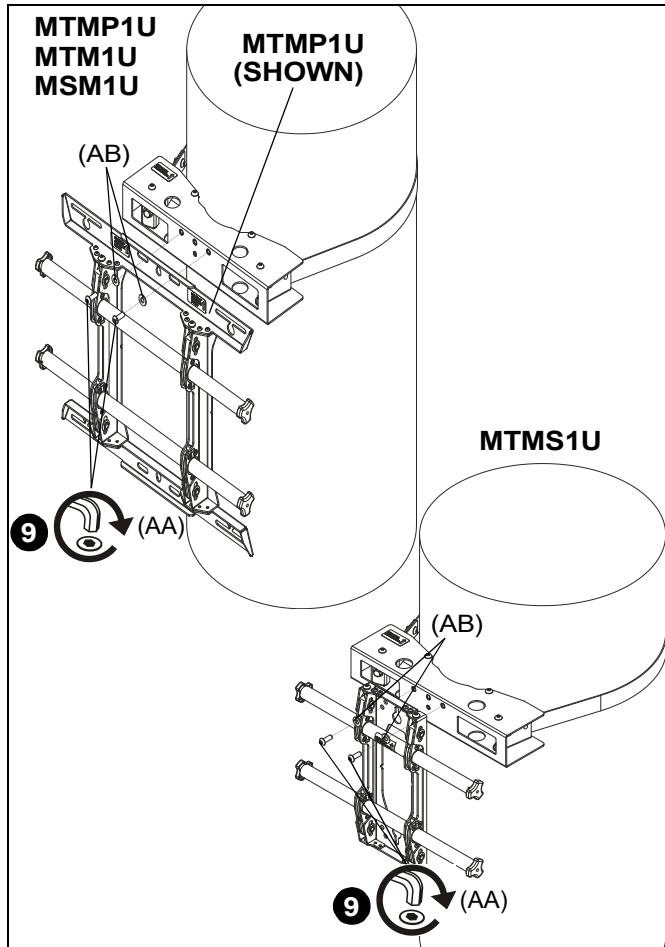


Figure 5

- Install lower column clamp (D) following Steps 1-4, aligning it with the lower mounting hole on mount. (See Figure 6)
- Use two 5/16-18 x 7/8" button head cap screws (AA) and two .750x.350x.060 spacers (AB) to secure mount to lower column clamp (D). (See Figure 6)

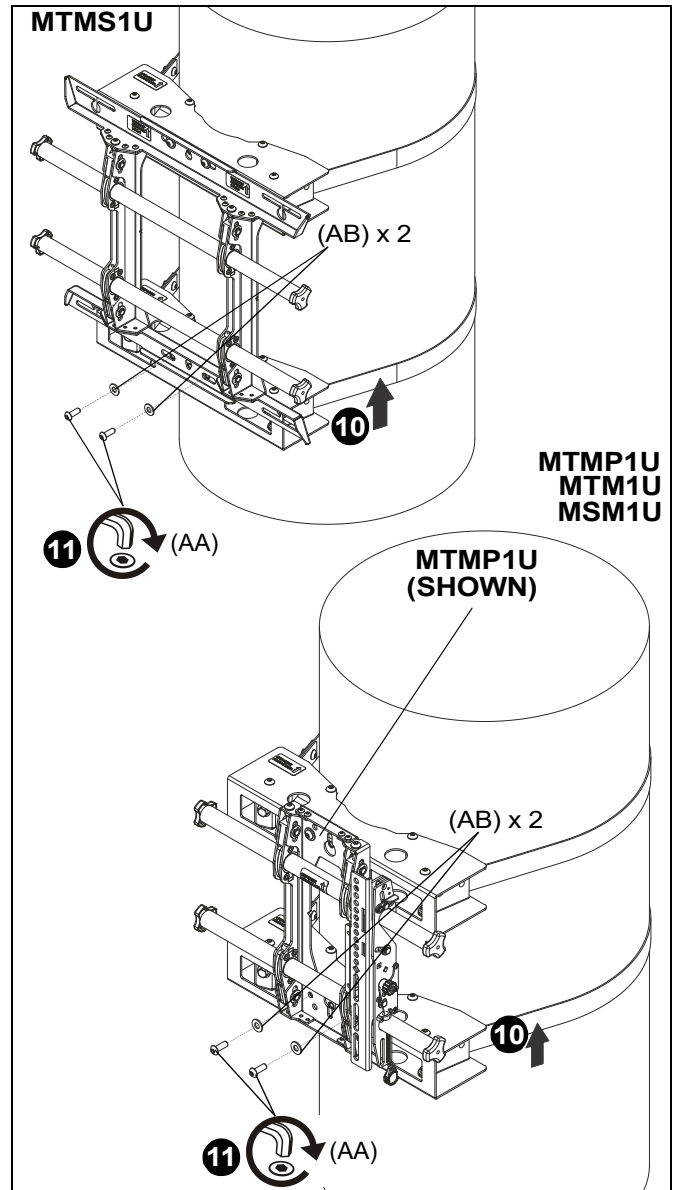


Figure 6

NOTE: Magnetic tape (F) may be used to cover holes on strap (E) after installation.



A brand of  **legrand**

8800-003123 Rev02
©2020 Legrand | AV
www.legrandav.com
04/20

USA/International	A 6436 City West Parkway, Eden Prairie, MN 55344 P 800.582.6480 / 952.225.6000 F 877.894.6918 / 952.894.6918
Europe	A Franklinstraat 14, 6003 DK Weert, Netherlands P +31 (0) 495 580 852 F +31 (0) 495 580 845
Asia Pacific	A Office No. 918 on 9/F, Shatin Galleria 18-24 Shan Mei Street Fotan, Shatin, Hong Kong P 852 2145 4099 F 852 2145 4477

