

DETAIL A



PEDESTALPRO.COM
1-800-660-3072

UNLESS OTHERWISE SPECIFIED:

DIMENSIONS ARE IN INCHES
TOLERANCES:
FRACTIONAL $\pm 1/32$
ANGULAR: $\pm 2^\circ$
TWO PLACE DECIMAL ± 0.010
THREE PLACE DECIMAL ± 0.005

INTERPRET GEOMETRIC
TOLERANCING PER:
ASME Y14.5 -2009

NAME	DATE
DRAWN	
CHECKED	

PROPRIETARY AND CONFIDENTIAL

THE INFORMATION CONTAINED IN THIS DRAWING IS THE SOLE PROPERTY OF PEDESTALPRO LLC. ANY REPRODUCTION IN PART OR AS A WHOLE WITHOUT THE WRITTEN PERMISSION OF PEDESTALPRO LLC IS PROHIBITED.

TITLE:
INSTALLATION

Wednesday, October
31, 2018 11:52:18 AM

WEIGHT:

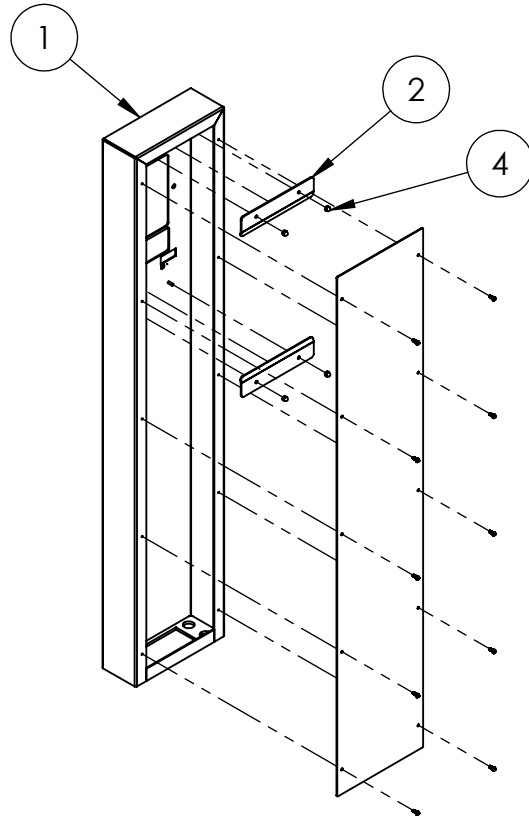
SIZE **A** PART NO.
MX-SS-7F

NO SCALE

REV
0

SHEET 1 OF 9

ITEM NO.	PART NUMBER	DESCRIPTION	QTY.
1	MX-SS-7F MAIN BODY	304SS TOWER WELDMENT	1
2	MX-SS-7F BRACKET	304SS FLUSH MOUNT BRACKET	2
3	MX-SS-7F ACCESS DOOR	304SS FLUSH MOUNT ACCESS DOOR	1
4	--	10-24 SS ACORN NUTS	4
10	91772A194	8-32 SS BUTTON HEAD SCREW	10



NOTES:

- BRUSHED #4 FINISH.
- MOUNTS A BUTTERFLY MX 21 INCH SURFACE MOUNT UNIT.



PEDESTALPRO.COM
1-800-660-3072

UNLESS OTHERWISE SPECIFIED:

DIMENSIONS ARE IN INCHES
TOLERANCES:
FRACTIONAL $\pm 1/32$
ANGULAR: $\pm 2^\circ$
TWO PLACE DECIMAL ± 0.010
THREE PLACE DECIMAL ± 0.005

INTERPRET GEOMETRIC
TOLERANCING PER:
ASME Y14.5 -2009

NAME	DATE
DRAWN	
CHECKED	

PROPRIETARY AND CONFIDENTIAL
THE INFORMATION CONTAINED IN THIS
DRAWING IS THE SOLE PROPERTY OF
PEDESTALPRO LLC. ANY REPRODUCTION
IN PART OR AS A WHOLE WITHOUT THE
WRITTEN PERMISSION OF PEDESTALPRO LLC
IS PROHIBITED.

TITLE:

MX-SS-7F

Wednesday, October
31, 2018 11:52:18 AM

WEIGHT:

SIZE
A

PART NO.
ASSEMBLY

REV
0

NO SCALE

SHEET 2 OF 9