



I N S T A L L A T I O N

Sarix® Enhanced Series III



Environmental IR Bullet (IBE) Models

C6647M (2/20)

Contents

Contents	3
Important Notices	5
Regulatory Notices (FCC Class A)	5
Radio and Television Interference	5
Legal Notice (Audio Notice)	5
Video Quality Caution	5
Open Source Software Notice	5
Power Source	6
ESD Warning	6
Warranty Statement	6
Supplemental Resources	6
Firmware Version	6
Description	8
System Model Numbers	8
Recommended mounts	8
Bullet Camera Models	9
Supplied Parts List	9
User-Supplied Parts List	9
Product Label	9
Getting Started	9
Product Overview	10
Installation	11
Micro SD Card Slot, RESET BUTTON, and Default Button	11
All-In-One Cable	12
Mounting the Camera	13
Surface Mount: Ceiling or Wall	14
Installation Guide	14
Surface Mount with Wall Mount Junction Box (IBP3BBAP-ES)	15
Parts List Supplied with the Mount	15
Installation Guide	15
In-Ceiling or Wall Mount w/ Embedded Junction Box (IBP3BBAP-EI)	16
Parts List Supplied with the Mount	16
Installation Guide	16
Connecting the Cables	17
Ethernet Wiring Requirement for PoE+	17
Power Wiring	17
Positioning the Camera	18
Adjusting the Sun Shield	19
Accessing the Camera	20
Pelco Troubleshooting Contact Information	20

Important Notices

REGULATORY NOTICES (FCC CLASS A)

This device complies with Part 15 of the FCC Rules. Operation is subject to the following two conditions: (1) this device may not cause harmful interference, and (2) this device must accept any interference received, including interference that may cause undesired operation.

RADIO AND TELEVISION INTERFERENCE

This equipment has been tested and found to comply with the limits of a Class A digital device, pursuant to Part 15 of the FCC rules. These limits are designed to provide reasonable protection against harmful interference when the equipment is operated in a commercial environment. This equipment generates, uses, and can radiate radio frequency energy and, if not installed and used in accordance with the instruction manual, may cause harmful interference to radio communications. Operation of this equipment in a residential area is likely to cause harmful interference in which case the user will be required to correct the interference at his own expense.

Changes and Modifications not expressly approved by the manufacturer or registrant of this equipment can void your authority to operate this equipment under Federal Communications Commission's rules.

This Class A digital apparatus complies with Canadian ICES-003.

Cet appareil numérique de la classe A est conforme à la norme NMB-003 du Canada

LEGAL NOTICE (AUDIO NOTICE)

SOME PELCO EQUIPMENT CONTAINS, AND THE SOFTWARE ENABLES, AUDIO/VISUAL AND RECORDING CAPABILITIES, THE IMPROPER USE OF WHICH MAY SUBJECT YOU TO CIVIL AND CRIMINAL PENALTIES. APPLICABLE LAWS REGARDING THE USE OF SUCH CAPABILITIES VARY BETWEEN JURISDICTIONS AND MAY REQUIRE, AMONG OTHER THINGS, EXPRESS WRITTEN CONSENT FROM RECORDED SUBJECTS. YOU ARE SOLELY RESPONSIBLE FOR INSURING STRICT COMPLIANCE WITH SUCH LAWS AND FOR STRICT ADHERENCE TO ANY/ALL RIGHTS OF PRIVACY AND PERSONALTY. USE OF THIS EQUIPMENT AND/OR SOFTWARE FOR ILLEGAL SURVEILLANCE OR MONITORING SHALL BE DEEMED UNAUTHORIZED USE IN VIOLATION OF THE END USER SOFTWARE AGREEMENT AND RESULT IN THE IMMEDIATE TERMINATION OF YOUR LICENSE RIGHTS THEREUNDER.

NOTE: Improper use of audio/visual recording equipment may subject you to civil and criminal penalties. Applicable laws regarding the use of such capabilities vary between jurisdictions and may require, among other things, express written consent from the recorded subjects. You are solely responsible for insuring strict compliance with such laws and for strict adherence to any/all right of privacy and personality.

VIDEO QUALITY CAUTION

Frame Rate Notice Regarding User-Selected Options

Pelco systems are capable of providing high quality video for both live viewing and playback. However, the systems can be used in lower quality modes, which can degrade picture quality, to allow for a slower rate of data transfer and to reduce the amount of video data stored. The picture quality can be degraded by either lowering the resolution, reducing the picture rate, or both. A picture degraded by having a reduced resolution may result in an image that is less clear or even indiscernible. A picture degraded by reducing the picture rate has fewer frames per second, which can result in images that appear to jump or move more quickly than normal during playback. Lower frame rates may result in a key event not being recorded by the system.

Judgment as to the suitability of the products for users' purposes is solely the users' responsibility. Users shall determine the suitability of the products for their own intended application, picture rate and picture quality. In the event users intend to use the video for evidentiary purposes in a judicial proceeding or otherwise, users should consult with their attorney regarding any particular requirements for such use.

OPEN SOURCE SOFTWARE NOTICE

This product includes certain open source or other software originated from third parties that is subject to the GNU General Public License (GPL), GNU Library/Lesser General Public License (LGPL) and different and/or additional copyright licenses, disclaimers, and notices.

The exact terms of GPL, LGPL, and some other licenses are provided to you with this product. Please refer to the exact terms of the GPL and LGPL at <http://www.fsf.org> (Free Software Foundation) or <http://www.opensource.org> (Open Source Initiative) regarding your rights under said license. You may obtain a complete corresponding machine-readable copy of the source code of such software under the GPL or LGPL by sending your request to digitalsupport@pelco.com; the subject line should read *Source Code Request*. You will then receive an email with a link for you to download the source code.

This offer is valid for a period of three (3) years from the date of the distribution of this product by Pelco.

POWER SOURCE

This product is intended to be supplied by a Listed Power Adapter or DC power source marked "L.P.S." (or "Limited Power Source"), rated 12Vdc, 2A, 24Vac (50/60 Hz), 1.5A or POE 56Vdc, 0.6A, Tma = 60 degree C, and the altitude of operation = 2000m. If you need further assistance with purchasing the power source, please contact to PELCO, INC for further information.

KOREAN CLASS A EMC

이 기기는 업무용 (A 급) 전자파 적합기기로서 판매자 또는 사용자는 이 점을 주의하시길 바라며, 가정 외의 지역에서 사용하는 것을 목적으로 합니다.

ESD WARNING



WARNING: This product is sensitive to Electrostatic Discharge (ESD). To avoid ESD damage to this product, use ESD safe practices during installation. Before touching, adjusting or handling this product, correctly attach an ESD wrist strap to your wrist and appropriately discharge your body and tools. For more information about ESD control and safe handling practices of electronics, please refer to ANSI/ESD S20.20-1999 or contact the Electrostatic Discharge Association (www.esda.org).

WARRANTY STATEMENT

For information about Pelco's product warranty and thereto related information, refer to www.pelco.com/warranty.

SUPPLEMENTAL RESOURCES

All resources are available in one location: <https://www.pelco.com/fixed-ip-sarix-enhanced-series>
From this location, select the asset(s) you want to download.

Name	Description
Sarix Enhanced Series Firmware	Download the latest firmware for your Sarix Enhanced Series camera system.
Sarix Enhanced Series Documentation	Download the latest specification sheets as well as installation and operations manuals for the Sarix Enhanced Series.
VxToolbox	Download the latest firmware for camera management utility. This software helps you discover the camera and update firmware.

FIRMWARE VERSION

Before installing the camera, visit the online Pelco supplemental resources to check for firmware updates.

Description

The Sarix Enhanced III Series Bullets feature a sturdy design that is IK10 (20 Joules) rated, vandal resistant. The environmental models feature worry-free use in harsh environments with IP66, IP67, IP68, IP69K, and Type 4X ratings, and a wide range of operating temperatures. Sarix Enhanced III Series cameras contain an integrated P-Iris, autofocus, and motorized zoom lens for quick installation and easy maintenance. Included are unique, advanced autofocus options: temperature change, day/night transition, and manual autofocus.

The Sarix Enhanced III Series Bullet camera offers flexible mounting options, and uses a standard Web browser for easy remote setup and administration. The Sarix Enhanced III Series Environmental IR Bullet camera easily connects to Pelco IP and hybrid systems such as VideoXpert, VX Toolbox, Endura version 2.0 (or later), and Digital Sentry version 7.3 (or later). The camera also conforms with ONVIF Profile S, Profile G, and Profile T for connection with third-party software. Pelco offers an Application Programming Interface (API) and Software Developer's Kit (SDK) for interfacing with Pelco's IP cameras.

This document describes the installation and initial setup procedures to begin operating the camera. For more information about operating your camera, refer to the operation manual specific to the product.

SYSTEM MODEL NUMBERS

Resolution	Model Number	Lens	Description
2 MP	IBE238-1ER	2.8 ~ 8 mm	Sarix Enhanced Environmental Bullet
3 MP	IBE332-1ER	8 ~ 20 mm	Sarix Enhanced Environmental Bullet
3 MP	IBE338-1ER	2.8 ~ 8 mm	Sarix Enhanced Environmental Bullet
5 MP	IBE539-1ER	4 ~ 9 mm	Sarix Enhanced Environmental Bullet
8 MP	IBE832-1ER	9 ~ 20 mm	Sarix Enhanced Environmental Bullet 4K
8 MP	IBE839-1ER	4 ~ 9 mm	Sarix Enhanced Environmental Bullet 4K

RECOMMENDED MOUNTS

MOUNTS	Description
IBP3-PLMT	Pole mount
IBP3-PLMT with IBP3BBAP-ES	Pole Mount
IBP3BBAP-ES	Wall Mount
IBP3BBAPEI	In-ceiling mount

Bullet Camera Models

SUPPLIED PARTS LIST

Qty Description

- 1 Bullet camera
- 1 Power terminal block
- 6 M4 x 25 mm self-tapping screws
- 1 RJ-45 plug cover and O-ring
- 6 Plastic expansion anchors
- 1 Torx T20 security L-key
- 1 Installation manual
- 1 Important Safety Instructions document

USER-SUPPLIED PARTS LIST

In addition to the standard tools and cables required for a video security installation, you will need to provide the following items:

Qty Description

- 1 Cat 5e (or higher) cable with RJ-45 connector; ensure that the cable is terminated for your application (PoE or non-PoE)
- 1 Flathead screwdriver
- 1 16-24 AWG 2 conductor cable for power (optional)
- 1 Up to 256 GB Micro SDHC or SDXC card capable of a minimum write speed of 10 MB/sec is recommended for recording HD video (Optional)
- 1 24-28 AWG 4 or 8 multi conductor cable for alarms and/or audio (optional)
- 1 Tool for drilling

PRODUCT LABEL

The product label lists the model number, date code, serial number, and Media Access Control (MAC) address. This information might be required for setup. A product label is located on the bottom of the camera and on the side of the product box.

GETTING STARTED

Before installing your device, thoroughly familiarize yourself with the information in the installation section of this manual.

NOTES:

- Pelco recommends connecting the device to a network that uses a Dynamic Host Configuration Protocol (DHCP) server to address devices.
- Do not use a network hub when configuring the network settings for the device.
- To ensure secure access, place the device behind a firewall when it is connected to a network.

Product Overview

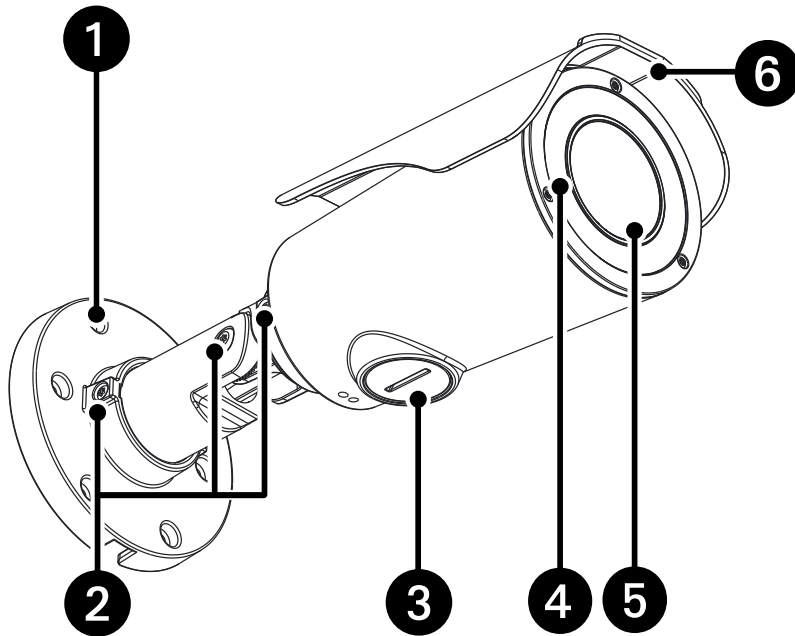


Figure 1. Sarix Enhanced III IBE Series Bullet

1. **Mounting Base:** Use the mounting base to surface mount the camera or mount with one of the optional mounting accessories (pole mount, in-ceiling mount, or wall mount).
2. **Set Screws:** Three set screws to secure after aiming the camera.
3. **SD Card, Reset Button, and Default Button Access:** Onboard micro SD card storage up to 256 GB.
4. **Infrared and Camera Status LEDs:** Camera includes adaptive IR illumination. Camera also includes a Camera Status LED when;
 - a. Solid red for more than 5 secs indicates there is a booting error.
 - b. Flashing green indicates booting is normal.
 - c. Flashing orange indicates a firmware update is in progress.
 - d. LED will turn off after a successful boot up.
5. **Camera Lens:** Built-in, varifocal.
6. **Sun Shield Screw:** One screw to fix the sun shield after adjustment.

Installation

MICRO SD CARD SLOT, RESET BUTTON, AND DEFAULT BUTTON

Installing a microSD card into the card slot to store videos and snapshots and accessing the Reset and Defaults Button.

1. Use a flathead screwdriver to remove the plug covering the access hole on the bottom of the camera.
2. Insert a Micro SD Card into the slot. **NOTE:** Do not remove the microSD card when the camera is powered on.

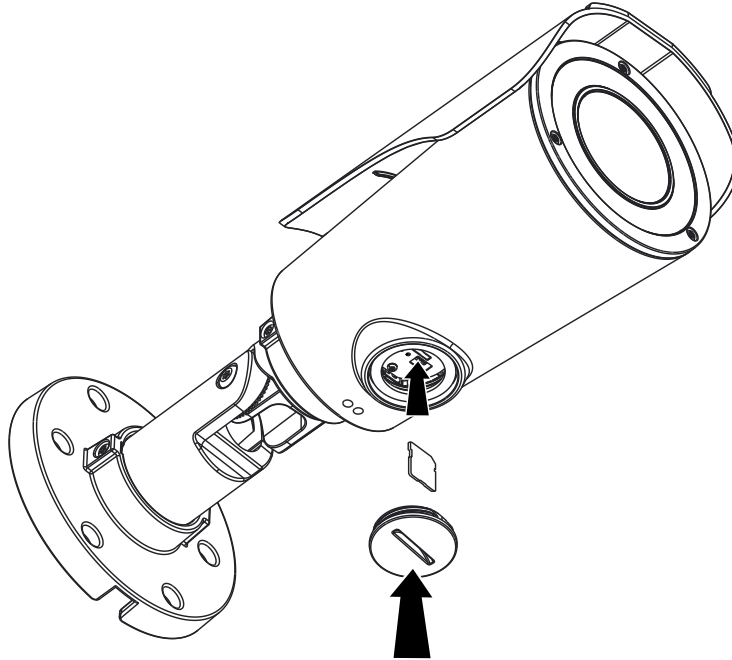


Figure 2. microSD Card Installation

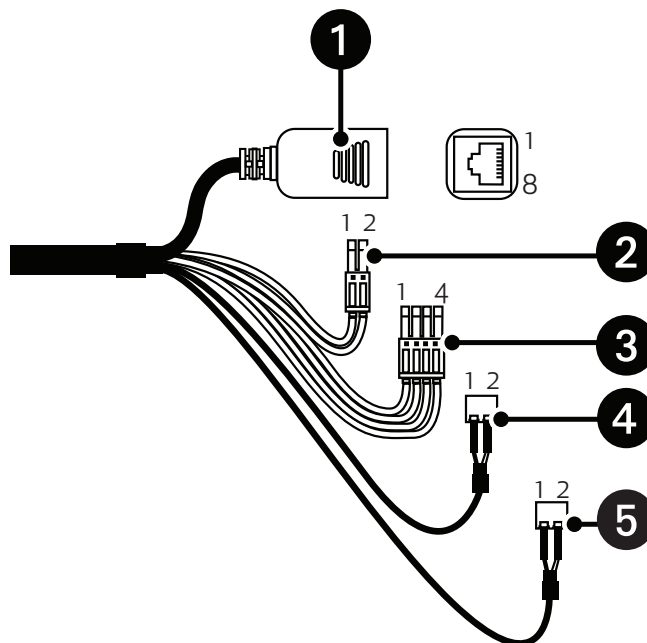
NOTE: To record continuously with the microSD card, contact the manufacturer of the microSD card for information regarding its reliability and life expectancy.

The **Reset Button** and **Default Button** are located under the internal cover along with the microSD card slot. Use the **Reset Button** to cycle power to the camera and initiate a reboot. Use the **Defaults Button** to reset the camera to factory defaults.

3. When the camera is powered on, press and hold the **Default Button** with a proper tool for at least 4 seconds to restore the camera to factory default settings.
4. Press and release the reset button with a proper tool to reboot the camera.
5. Re-attach the plug to cover the access hole on the bottom of the camera.

All-In-One Cable

No	Cable	Pin	Definition
1	Ethernet/PoE+		RJ-45 Network Port
2	Power (DC 12V/AC 24V)	1	DC 12V+/AC 24V
		2	DC 12V-/AC 24V
3	Alarm I/O (4-position Terminal Block)	1	Alarm Out +
		2	Alarm Out COM
		3	Alarm In +
		4	Alarm In GND
4	Audio Out (2-position Terminal Block)	1	Audio Out (+)
		2	Audio Out (-)
5	Audio In (2-position Terminal Block)	1	Audio In (+)
		2	Audio In (-)



Mounting the Camera

You can install the Sarix Enhanced III Series Bullet Cameras using one of the following mounting methods:

1. Camera can mount directly to the wall. Refer to the section Surface Mount: Ceiling or Wall.
2. Installation using a wall mount junction box (optional accessory). Refer to the section Surface Mount with Wall Mount Junction Box (IBP3BBAP-ES).
3. Installation using an embedded wall mount junction box. Refer to the Section In-Ceiling or Wall Mount w/Embedded Junction Box (IBP3BBAP-EI).
4. Installation using a pole mount adapter (optional accessory). Refer to the IBP3-PLMT Pole Mount Adapter Installation Manual.

Surface Mount: Ceiling or Wall

INSTALLATION GUIDE

The Sarix Enhanced 3 Series Bullet Camera can be installed directly to a wall or ceiling with the integrated 3-axis adjustable bracket mount

1. Using the Mounting Template, mark the position for two (minimum) or up to six (maximum) of the mounting hole locations to be used as well as the cable entry position in the middle.
 - a. **NOTE:** If the screw holes are blocked by the camera body, loosen the three screws, but do not detach the screws. Then rotate the camera body to reach the screw holes.

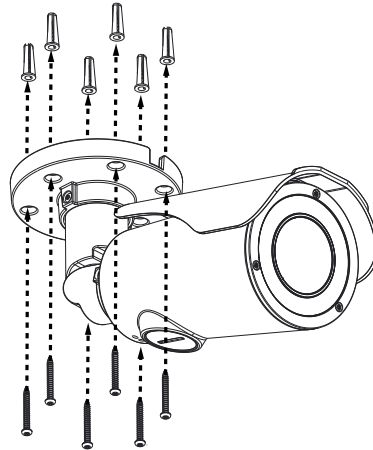


Figure 3. Ceiling Mount

2. Using a 1/4" drill bit, drill the mounting holes. Press in the plastic anchors (supplied) into the holes.
3. Using a 1" to 1-1/2" drill bit, drill out the cable entry hole.
4. Feed the cables through the opening.
5. Refer to the Connecting the Cables section before proceeding.
6. Push the cables back through the hole into the wall/ceiling, and then attach the Mounting Base to the wall using the M4x25mm screws (supplied).
7. Proceed to the Positioning the Camera section to complete the installation.

Surface Mount with Wall Mount Junction Box (IBP3BBAP-ES)

PARTS LIST SUPPLIED WITH THE MOUNT

Qty Description

- 1 Wall mount junction box
- 1 Mounting Template
- 4 Plastic screw anchors
- 4 M4 x 31 mm self-tapping screws
- 4 M4 x 14 mm T20 tamper resistant screws
- 3 M4 x 10 mm Phillips screws
- 3 M3 x 8 mm Phillips screws
- 1 Metal plate
- 1 Waterproof rubber grommet

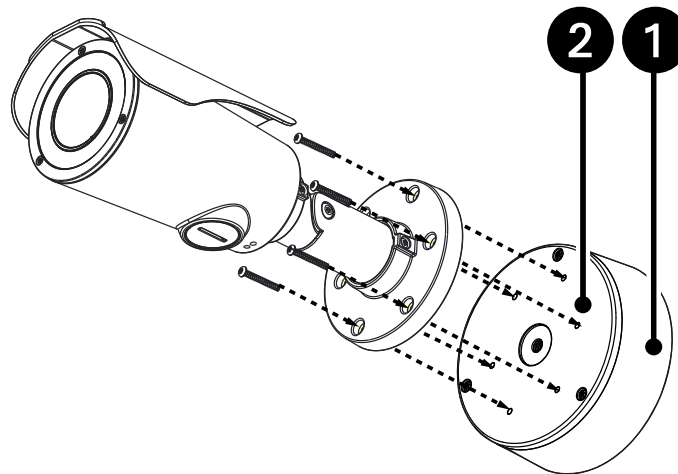


Figure 4. Installation with Wall Mount Junction Box

INSTALLATION GUIDE

1. Attach the IBP3BBAP-ES backbox (#1) to the desired surface:
 - a. Using the Mounting Template, mark the position of the three mounting hole locations to be used as well as the cable entry position if cables will enter through the back of the junction box.
 - b. Using a 1/4" drill bit, drill the mounting holes (and if applicable, the cable entry hole with a 1" to 1-1/2" drill bit).
 - c. Press in the plastic anchors (supplied) into the holes.
 - d. Incoming cables should be fed through the backbox from the back or side depending on your installation.
 - e. Secure the backbox to the wall by attaching it to the wall using the two M4 x 31 mm screws (supplied).
2. Attach the Bullet Mounting Base to the cover plate:
 - a. Feed the All-in-One cable through the center opening of the cover plate.
 - a. Secure the Bullet Mounting Based to the cover plate using the 4, M4 x 14 mm Tamper Resistant Screws.
3. Slip the rubber grommet onto the All-in-One cable, and then insert the rubber grommet into the center hole of cover plate (#2).

NOTE: Please identify both sides of the rubber grommet. The angled side must be facing towards the terminals of the cables and cover plate to prevent water ingress.

4. Secure the rubber grommet to the cover plate by attaching the metal plate (supplied) to the cover plate with 3, M3 x 8 mm screws.
5. Refer to the Connecting the Cables section before proceeding.
6. Attach the cover plate (#2) to the backbox with the 3, M4 x 10 mm screws (supplied).
7. Proceed to the Positioning the Camera section to complete the installation.

In-Ceiling or Wall Mount w/ Embedded Junction Box (IBP3BBAP-EI)

PARTS LIST SUPPLIED WITH THE MOUNT

Qty	Description
1	Sarix Bullet In-Ceiling Mount junction box
1	Mounting template
4	M4 x 14 mm T20 T20 tamper resistant screws
3	M4 x 10 mm Phillips screws
3	M3 x 8 mm Phillips screws
1	Metal plate
1	Waterproof rubber grommet

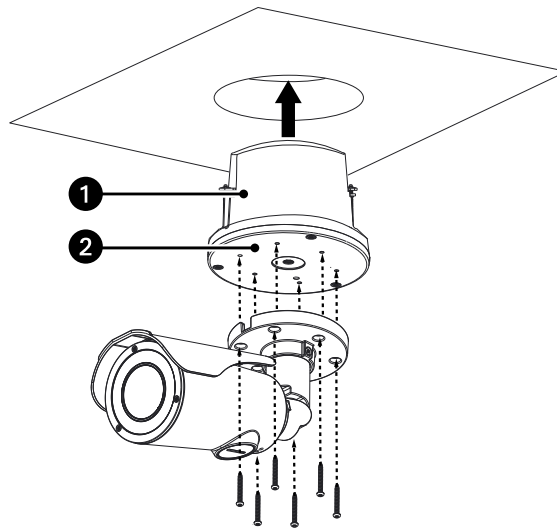


Figure 5. Installation with Embedded Junction Box

INSTALLATION GUIDE

1. Attach the IBP3BBAP-EI backbox (#1) to the desired surface:
 - a. Using the Mounting template, mark the desired position of the backbox.
 - b. Cut a round hole (recommended diameter of 26.9 mm).
 - c. Incoming cables should be fed through the back box from the back or side depending on your installation.
 - d. Push the backbox into the hole, making sure the securing tabs are in the inward position so as not to catch on the hole opening.
 - e. Tighten the screws to secure the back box to the ceiling or wall surface.
2. Attach the Bullet Mounting Base to the cover plate:
 - a. Feed the All-in-One cable through the center opening of the cover plate.
 - b. Secure the Bullet Mounting Base to the cover plate using the 4, M4 x 14 mm Tamper Resistant Screws.
3. Slip the rubber grommet onto the All-in-One cable and then insert the rubber grommet into the center hole of the cover plate (#2).

NOTE: Please identify both sides of the rubber grommet. The angled side must be facing towards the terminals of the cables and cover plate to prevent water ingress.

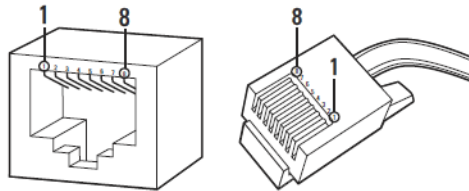
4. Secure the rubber grommet to the cover plate by attaching the metal plate (supplied) to the cover plate with 3, M3 x 8 mm screws.
5. Refer to the Connecting the Cables section before proceeding.
6. Attached the cover plate (#2) to the back box with the 3, M4 x 10 mm screws (supplied).
7. Proceed the Positioning the Camera section to complete the installation.

Connecting the Cables

Refer to the table in the All-in-One Cable Section to identify all I/O interfaces. The All-in-One Cable is also labeled with this information. Make the appropriate/applicable cable connections.

ETHERNET WIRING REQUIREMENT FOR POE+

Connect a Cat5e cable or higher cable (not supplied) to the RJ-45 network connector. The 8-pin port includes video over Ethernet, and PoE+ for the camera. PoE+ injects power over the same cabling that carries the network data, eliminating the need for a separate power supply. This simplifies the installation and operation of the camera without affecting network performance.



1000BASE-TX	
Pin	Function
1	BI_DA+
2	BI_DA-
3	BI_DB+
4	BI_DC+
5	BI_DC-
6	BI_DB-
7	BI_DD+
8	BI_DD-

POWER WIRING

To wire the connector, insert cables into the power connector (supplied). Attach the cables as identified in the All-in-One Cable Section (e.g. Pin 1 is +12 VDC or 24 VAC 1; Pin 2 is -12 VDC or 24 VAC 2) with a small slotted screwdriver and then plug the connector into the All-in-One Cable Plug.

NOTE: 12 VDC or 24 VAC may be used instead of PoE+ or in addition to PoE+ for power failover in case PoE+/network is temporarily lost.

Positioning the Camera

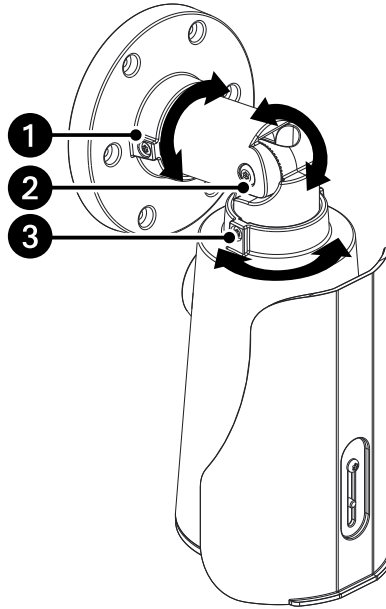


Figure 6. Camera Positioning

- Retaining Ring for Pan Adjustment (1): Loosen the set screw with the T20 I-key (supplied) and rotate the retaining ring to adjust the camera horizontally until you are satisfied with the field of view.
- Bracket Axis for tilt Adjustment (2): Loosen the set screw with the T20 I-key (supplied) and tilt the bracket axis to adjust the camera vertically until you are satisfied with the field of view.
- Adjustable Ring for 360° Rotation (3): Loosen the set screw with the T20 I-key (supplied) and rotate the camera body to adjust the camera until you are satisfied with the field of view.

After adjustments, make sure to tighten each set screw with the T20 I-key to prevent the camera from moving.

NOTE: Limitation for three axes position:

- Pan range: 360°
- Rotate range: 360°
- Tilt range: +7.5° ~ -90°

NOTE: The camera field of view is set by making adjustments to zoom and focus via the web UI. Refer to the operations manual.

Adjusting the Sun Shield

The Sarix Enhanced III Bullet cameras have an adjustable sun shield that can be positioning to minimize negative influences from rain and/or sunlight depending on the camera's field of view.

To adjust the Sun Shield:

1. Loosen the sun shield screw on the top of the sun shield.
2. Move the sun shield forward or backward to adjust until the desired position.

NOTE: Be sure to adjust the sun shield in accordance with the lens field of view settings to minimize clipping of the image while optimizing coverage for shadowing, solar glare, and rain.

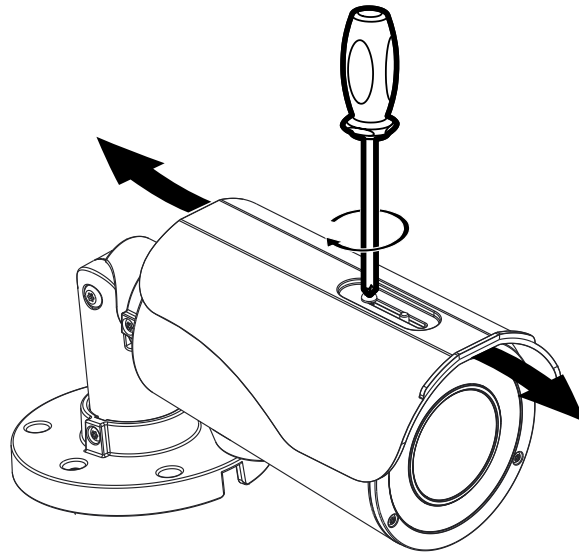


Figure 7. *Adjusting the Sun Shield*

Accessing the Camera

Anyone who access the camera can view live video. If you want to prevent users from viewing video without logging in, you must change the permissions for public users.

The recommended browsers for your camera are the latest version of Internet Explorer®, Microsoft™ Edge™, Google Chrome™ browser, or Mozilla® Firefox®. For supported browser versions, refer to the specification sheet.

1. Open a web browser.
2. Type the camera's IP address (192.168.0.20) or host name in your browser's address bar, and the press Enter.

NOTE: You can obtain your camera's IP address or access the camera using the Pelco Device Utility or VxToolbox software. If DHCP is enabled but a DHCP server is not on the network, the camera automatically assigns itself both an IPv4 link local address (169.254.x.x, where the lower two octets are random) and a 192.168.0.20 address. Additional cameras will assign themselves different IPv4 link local addresses and the next available 192.168.0.x IP addresses in sequential order. For example, if three cameras are connected to a network without a DHCP server, the first camera to connect assigns itself the IP address 192.168.0.20, the second camera assigns itself 192.168.0.21, and the third camera assigns itself 192.168.0.22.

3. Click Login.
4. If needed, type your user name and password.

NOTE: For security purposes, it is recommended that you create a user account when you login to the camera for the first time.

- In its out-of-the-box configuration, the camera has no user name and password assigned. For security purposes, it is recommended that you set an administrative user name and password after initial configuration of the camera. Creation of an administrative user name changes the state of the camera to its "operational mode," where credentials must be provided in order to change its configuration.
- There is no provision for recovering a forgotten administrator user name or password. The camera can be restored to its out-of-the-box, no-password configuration by powering down, depressing the reset button with an object such as a paper clip, and holding the button down for at least five seconds while power the camera back up.

NOTE: The Reset button for the camera is located near the microSD card slot.

- If a user name and password exist, a Login link appears in the upper right area of your web browser.

5. Click Log In.

PELCO TROUBLESHOOTING CONTACT INFORMATION

If the instructions provided fail to solve your problem, contact Pelco Product Support at 1-800-289-9100 (USA and Canada) or +1-559-292-1981 (international) for assistance. Be sure to have the serial number available when calling.

Do not try to repair the unit yourself. Leave maintenance and repairs to qualified technical personnel only.

REVISION HISTORY

Manual #	Date	Comments
C6647M	2/20	Original version.

Pelco, the Pelco logo, and other trademarks associated with Pelco products referred to in this publication are trademarks of Pelco, Inc. or its affiliates. ONVIF and the ONVIF logo are trademarks of ONVIF Inc. All other product names and services are the property of their respective companies. Product specifications and availability are subject to change without notice.

© Copyright 2020, Pelco, Inc.
All rights reserved.

PELCOTM

Pelco, Inc. 625 W. Alluvial Fresno, California 93711 United States
USA & Canada Tel (800) 289-9100 Fax (800) 289-9150
International Tel +1 (559) 292-1981 Fax +1 (559) 348-1120
www.pelco.com