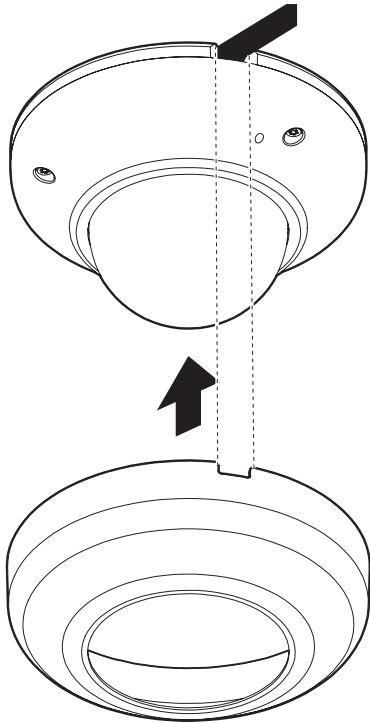


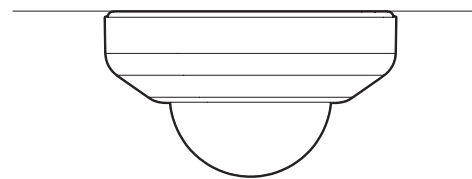
Decorative rings for V7 ultra low-profile vandal domes



- 1 Make sure the camera is properly installed on the mounting surface. See the camera's QSG for more information.
- 2 Align the direction of the decorative ring with the cable hole on the side of the camera.
- 3 Being careful to avoid scratching the bubble dome, place the decorative ring over the bubble dome until it is cupping the dome cover. Press down along the outer edge of the decorative ring until flush with the dome cover.

⚠ **Warning:**

When removing the decorative ring, be careful to avoid scratching, smudging, or getting dirt on the bubble dome.



NOTE: Download all your support materials and tools in one place

1. Go to: <http://www.digital-watchdog.com/resources>
2. Search your product by entering the part number in the '**Search by Product**' search bar. Results for applicable part numbers will populate automatically based on the part number you enter.
3. Click '**Search**'. All supported materials, including manuals and quick start guide (QSGs) will appear in the results.

