

4.0MP WDR Network IR Turret Camera

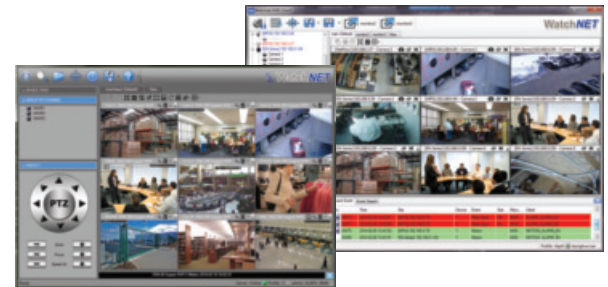


MPIX-40IRBFTL / MPIX-40IRBFTL-B



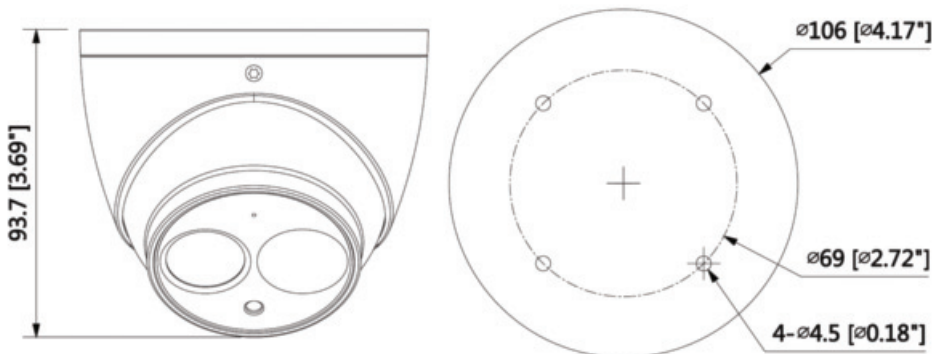
Features:

- ❖ 1/3 4MP progressive scan CMOS
- ❖ 2.8mm fixed lens
- ❖ Max. IR LEDs Length 35m/115feet
- ❖ H.265 & H.264 triple-stream encoding
- ❖ 25/30fps@4M(2688×1520)
- ❖ Smart Detection supported
- ❖ WDR(120dB), Day/Night(ICR), 3DNR, AWB, AGC, BLC
- ❖ Multiple network monitoring:
Built-in web server & Multifunction VMS
- ❖ Micro SD memory, IP67, PoE
- ❖ Smart phones compatible



FREE Multisite VMS Software
Download from www.watchnetinc.com

Optional Brackets:



Model	MPIX-40IRBFTL / MPIX-40IRBFTL -B
Camera	
Image Sensor	1/3" 4Megapixel progressive scan CMOS
Effective Pixels	2688(H) x 1520(V)
RAM/ROM	512MB/32MB
Min. Illumination	0.04Lux/F2.0(Color,1/3s,30IRE) 0.3Lux/2.0(Color,1/30s,30IRE) 0Lux/F2.0(IR on)
Electronic Shutter Speed	Auto/Manual, 1/3(4)~1/100000s
Scanning System	Progressive
IR Distance	Up to 35m (115ft)
IR On/Off Control	Auto / Manual
IR LEDs	1
Lens	
Max Aperture	F2.0 (F2.0, F2.0)
Focal Length	2.8mm
Optical Zoom	N/A
Lens Type	Fixed
Mount Type	Board-in Type
Angle of View	H:104° (87°, 55°), V:57° (48°, 31°)
Close Focus Distance	N/A
Video	
Compression	H.265+/H.265/H.264+/H.264
Streaming Capability	3 Streams
Resolution	4M(2688×1520)/3M(2304×1296)/ 1080P(1920×1080)/1.3M(1280×960)/ 720P(1280×720)/D1(704×576/704×480)/ VGA(640×480)/CIF(352×288/352×240)
Frame Rate	Main Stream: 4M(1~25/30fps) Sub Stream: D1(1~25/30fps) Third Stream: 1080P(1~14/4fps)
Bit Rate Control	CBR/VBR
Bit Rate	H.264: 192~10240Kbps / H.265: 80~8192Kbps
Day/Night	Auto(ICR) / Color / B/W
BLC Mode	BLC / HLC / WDR(120dB)
White Balance	Auto/Natural/Street Lamp/Outdoor/Manual
Gain Control	Auto/Manual
Noise Reduction	3D DNR
Motion Detection	Off / On (4 Zone, Rectangle)
Region of Interest	Off / On (4 Zone)
Digital Zoom	16x
Flip	0°/90°/180°/270°
Mirror	Off / On
Privacy Masking	Off / On (4 Area, Rectangle)

Audio	
Compression	G.711a/ G.711Mu/ AAC/ G.726
Network	
Ethernet	R J - 45 (10/100Base -T)
Protocol	HTTP; HTTPs; TCP; ARP; RTSP; RTP; UDP; SMTP; FTP; DHCP; DNS; DDNS; PPPOE; IPv4/IPv6; QoS; UPnP;NTP; Bonjour; 802.1x; Multicast; ICMP; IGMP; SNMP
Interoperability	ONVIF, PSIA, CGI
Streaming Method	Unicast / Multicast
Max. User Access	10 Users /20 Users
Edge Storage	NAS Local PC for instant recording Micro SD card 128GB
Interface	
Video Interface	N/A
Audio Interface	Built-in Mic (Optional)
RS485	N/A
Alarm	N/A
Smart Function	
Smart detection	Supported
Electrical	
Power supply	DC12V, PoE (802.3af)(Class 0)
Power Consumption	<6.1W
Environmental	
Operating Conditions	-40°C ~ +60°C (-40°F ~ +140°F) / Less than 95% RH
Storage Conditions	-40°C ~ +60°C (-40°F ~ +140°F) / Less than 95% RH
Ingress protection	IP67
Vandal resistance	N/A
Construction	
Casing	Metal
Dimensions	φ106mm × 93.7mm / 4.17" × 3.70"
Net Weight	0.47kg / 1.04lb
Gross Weight	0.65kg / 1.43lb

* All product names, logos and brands are property of their respective owners. All company products and service names used on this box/website/brochure are for identification purposes only. Use of these names, logos and brands does not imply endorsement. 2019 WatchNET Inc. © All Rights Reserved. All product specifications are subject to change without notice.

CANADA:
351 Ferrier Street, Unit 5
Markham, ON L3R 5Z2
Toll Free: 1-866-843-6865
Tel: 416-410-6865
Fax: 1-866-331-3341

USA:
171 Cooper Ave. Suite 110
Tonawanda, NY 14150 USA
Toll Free: 1-855-404-3193
Local: 1-716-877-7277
Fax: 1-866-331-3341

Rev June 07, 2019

info@watchnetinc.com
www.watchnetinc.com

INDIA:
RZ- 2, Ground Floor
Kapashera
Opp Kapashera Police Station
New Delhi-110037
Tel/Fax: +91 11 26816005

UAE:
PO Box 126312
No 703, Oxford Towers
Business Bay
Dubai, UAE
Tel: +971 4 2767117