

# TRIVE™

Access & Power Integration



## Trove1V1

- Trove1 enclosure with Altronix/HID VertX® backplane (TV1)

## TV1

- Altronix/HID VertX® backplane only

## Trove2V2

- Trove2 enclosure with Altronix/HID VertX® backplane (TV2)

## TV2

- Altronix/HID VertX® backplane only

## TMV2

- Altronix/HID VertX® Door Backplane. Fits Trove2 and Trove3 enclosures

## Trove3V3

- Trove3 enclosure with Altronix/HID VertX® backplane (TV3)

## TV3

- Altronix/HID VertX® backplane only

# Installation Guide



More than just power.™

All registered trademarks are property of their respective owners.

Rev. THID011117

Installing Company: \_\_\_\_\_ Service Rep. Name: \_\_\_\_\_

Address: \_\_\_\_\_ Phone #: \_\_\_\_\_

## Overview:

Altronix Trove1V1, Trove2V2 and Trove3V3 accommodate various combinations of HID VertX® boards with or without Altronix power supplies and sub-assemblies for access systems.

## Agency Listings:

- UL 294 - 6th edition: Line Security I, Destructive Attack I, Endurance IV, Stand-by Power II (Stand-by Power Level I if no battery is supplied).
- This Class B digital apparatus complies with Canadian ICES-003.  
Cet appareil numérique de la classe B est conforme à la norme NMB-003 du Canada.
- CE European Conformity.

## Specifications:

### Trove1V1

#### Trove1 enclosure with TV1 Altronix/HID VertX® backplane.

- 16 Gauge enclosure with ample knockouts for convenient access.
- Includes: tamper switch, cam lock, lock nuts and mounting hardware.
- Enclosure Dimensions (H x W x D):  
18" x 14.5" x 4.625" (457mm x 368mm x 118mm).

### TV1

#### Altronix/VertX® backplane.

- 16 Gauge backplane.
- Includes mounting hardware.
- Dimensions (H x W x D):  
16.625" x 12.5" x 0.3125" (422.3mm x 317.5mm x 7.9mm).

See TV1 Sub-Assembly Position Chart on Pg. 3 for the list of compatible sub-assemblies.

### Trove2V2

#### Trove2 enclosure with TV2 Altronix/VertX® backplane.

- 16 Gauge enclosure with ample knockouts for convenient access.
- Includes: tamper switch, cam lock, lock nuts and mounting hardware.
- Enclosure Dimensions (H x W x D):  
27.25" x 21.75" x 6.5" (692.2mm x 552.5mm x 165.1mm).

### TV2

#### Altronix/HID VertX® backplane only.

- 16 Gauge backplane.
- Includes: lock nuts and mounting hardware.
- Dimensions (H x W x D):  
25.375" x 19.375" x 0.3125" (644.5mm x 492.1mm x 7.9mm).

See TV2 Sub-Assembly Position Charts on Pgs. 5, 7 for the list of compatible sub-assemblies.

### TMV2 - Optional Door Backplane

- Fits Altronix Trove2 and Trove3 enclosure door.
  - Dimensions (H x W x D):  
23.75" x 18.125" x 0.3125" (603.3mm x 460.4mm x 7.9mm).
- See TMV2 Sub-Assembly Position Chart on Pg. 8 for the list of compatible sub-assemblies.

### Trove3V3

#### Trove3 enclosure with TV3 Altronix/VertX® backplane.

- 16 Gauge enclosure with ample knockouts for convenient access.
- Includes: two (2) tamper switches, cam lock, lock nuts and mounting hardware.
- Enclosure Dimensions (H x W x D):  
36.12" x 30.125" x 7.06" (917.5mm x 768.1mm x 179.3mm).

### TV3

#### Altronix/HID VertX® backplane only.

- 16 Gauge backplane.
- Includes: lock nuts and mounting hardware.
- Dimensions (H x W x D): 34" x 28" x 0.3125"  
(863.6mm x 711.2mm x 7.9mm).

See TV3 Sub-Assembly Position Charts on Pgs. 9, 11 for the list of compatible sub-assemblies.

## Battery Backup:

- Trove1 enclosure accommodates up to two (2) 12VDC/7AH batteries.
- Trove2 enclosure accommodates up to two (2) 12VDC/12AH batteries.
- Trove3 enclosure accommodates up to four (4) 12VDC/12AH batteries.

## Hardware:

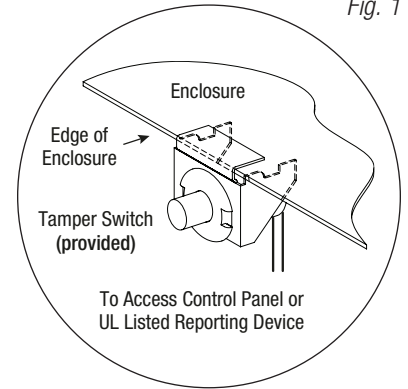


## Installation Instructions for Trove1, Trove2, Trove3:

Wiring methods shall be in accordance with the National Electrical Code/NFPA 70/ANSI, and with all local codes and authorities having jurisdiction. Product is intended for indoor use only.

1. Remove backplane from enclosure. Do not discard hardware.
2. Mark and predrill holes in the wall to line up with the top two/three keyholes in the enclosure. Install two/three upper fasteners and screws in the wall with the screw heads protruding. Place the enclosure's upper keyholes over the two/three upper screws, level and secure. Mark the position of the lower two/three holes. Remove the enclosure. Drill the lower holes and install the two/three fasteners. Place the enclosure's upper keyholes over the two/three upper screws. Install the two/three lower screws and make sure to tighten all screws.
3. Mount included UL Listed tamper switch(es) (Altronix Model TS112 or equivalent) in desired location, opposite hinge. Slide the tamper switch bracket onto the edge of the enclosure approximately 2" from the right side (Fig. 1, pg. 3). Connect tamper switch wiring to the Access Control Panel input or the appropriate UL Listed reporting device.  
To activate alarm signal open the door of the enclosure.

Fig. 1



### TV1 Sub-Assembly Position Chart for the Following Models:

Altronix Power Supplies/Sub-Assemblies			
Sub-Assembly	Pem Mounting	Input Rating	Output Rating
AL400ULXB2	(A)	115VAC, 60Hz, 3.5A	12VDC @ 4A or 24VDC @ 3A
AL600ULXB		115VAC, 60Hz, 3.5A	12VDC or 24VDC @ 6A
AL1012ULXB		115VAC, 60Hz, 2.6A	12VDC @ 10A
AL1024ULXB2		115VAC, 60Hz, 4.2A	24VDC @ 10A
eFlow4NB*		120VAC, 60Hz, 3.5A	12VDC or 24VDC @ 4A
eFlow6NB*		120VAC, 60Hz, 3.5A	12VDC or 24VDC @ 6A
eFlow102NB*		120VAC, 60Hz, 3.5A	12VDC @ 10A
eFlow104NB*		120VAC, 60Hz, 4.5A	24VDC @ 10A

Altronix Sub-Assemblies		
Sub-Assembly	Pem Mounting	Current Draw
ACM4(CB)	(B)	12VDC @ 0.4A max. or 24VDC @ 0.2A max.
MOM5		12-24VDC @ 55mA max.
PD4UL(CB)		N/A
PD8UL(CB)		N/A
LINQ2*	(C)	12-24VDC @ 100mA max.

HID VertX® Sub-Assemblies		
Sub-Assembly	Pem Mounting	Current Draw
V100	(D)	12VDC @ 60mA
V200		12VDC @ 50mA
V300		12VDC @ 60mA
V1000		12/24VDC @ 1000mA
V2000		12/24VDC @ 1000mA

\*LINQ2 can be installed when utilizing eFlow power supply/charger boards.

## Installation Instructions for Sub-Assemblies to TV1:

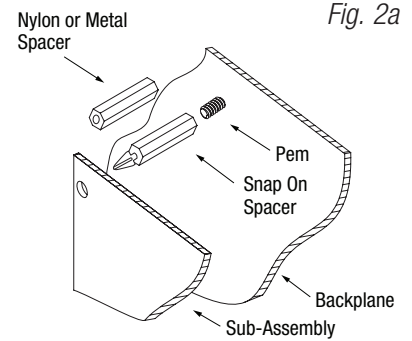
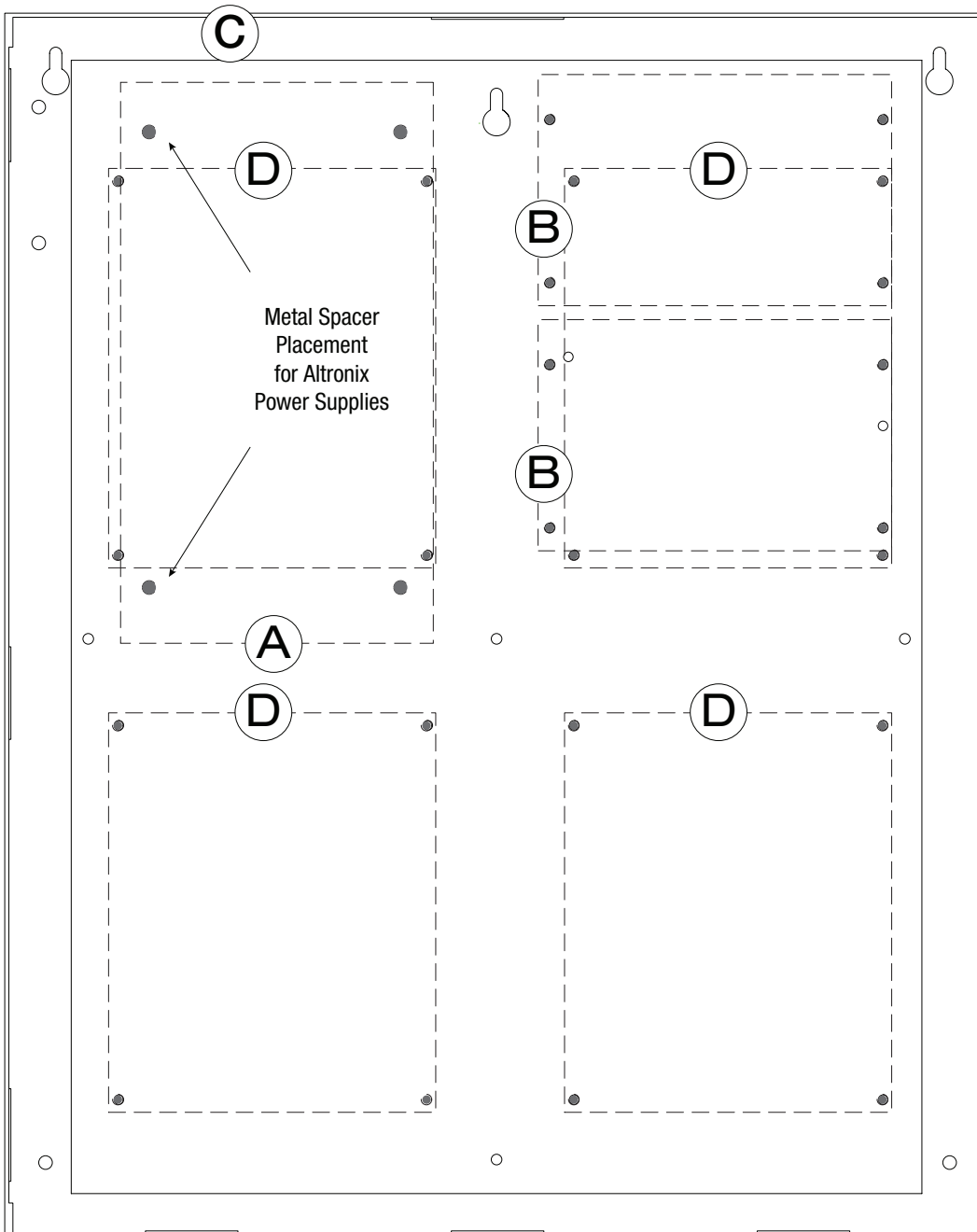
### Altronix Power Supplies/Chargers and/or Sub-Assemblies:

1. Fasten spacers (provided) to pems that match the hole pattern for Altronix Power Supply/Chargers or Altronix Sub-Assembly boards (positions (A) and (B), *Fig. 2, pg. 4*). Use snap on nylon spacers for the upper two mounting holes in the board. Use metal spacers for the bottom mounting holes to provide sufficient grounding for the board.
2. Affix boards to spacers (*Fig. 2, pg. 4*) by pressing down the upper mounting holes onto snap on spacers. Use provided mounting screws to affix the lower mounting holes. Make sure that boards are locked onto spacers.
3. For detailed information about installing and connecting Altronix sub-assemblies refer to the individual Installation Instructions and **Trove Installation Guide, Rev. 101817**.

### HID VertX® Sub-Assemblies:

4. Fasten spacers (provided) onto metal pems configuration (D) of backplane (*Fig. 2, pg. 4*).
5. Mount boards to spacers utilizing 7/8" pan head screws (provided) (*Fig. 2a, pg. 4*).
6. Fasten backplane to Trove1 enclosure utilizing lock nuts (provided).

*Fig. 2 - Refer to TV1 Sub-Assembly Position Chart, Pg. 3.*



*Fig. 2a*

## TV2 Sub-Assembly Position Chart for the Following Models:

Altronix Power Supplies/Sub-Assemblies			
Sub-Assembly	Pem Mounting	Input Rating	Output Rating
AL400ULXB2	Ⓐ	115VAC, 60Hz, 3.5A	12VDC @ 4A or 24VDC @ 3A
AL600ULXB		115VAC, 60Hz, 3.5A	12VDC or 24VDC @ 6A
AL1012ULXB		115VAC, 60Hz, 2.6A	12VDC @ 10A
AL1024ULXB2		115VAC, 60Hz, 4.2A	24VDC @ 10A
eFlow4NB*		120VAC, 60Hz, 3.5A	12VDC or 24VDC @ 4A
eFlow6NB*		120VAC, 60Hz, 3.5A	12VDC or 24VDC @ 6A
eFlow102NB*		120VAC, 60Hz, 3.5A	12VDC @ 10A
eFlow104NB*		120VAC, 60Hz, 4.5A	24VDC @ 10A

Altronix Sub-Assemblies		
Sub-Assembly	Pem Mounting	Current Draw
ACM4(CB)	Ⓑ	12VDC @ 0.4A max. or 24VDC @ 0.2A max.
MOM5		12-24VDC @ 55mA max.
PD4UL(CB)		N/A
PD8UL(CB)		N/A
LINQ2*	Ⓒ	12-24VDC @ 100mA max.

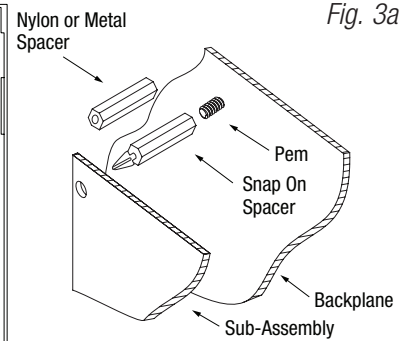
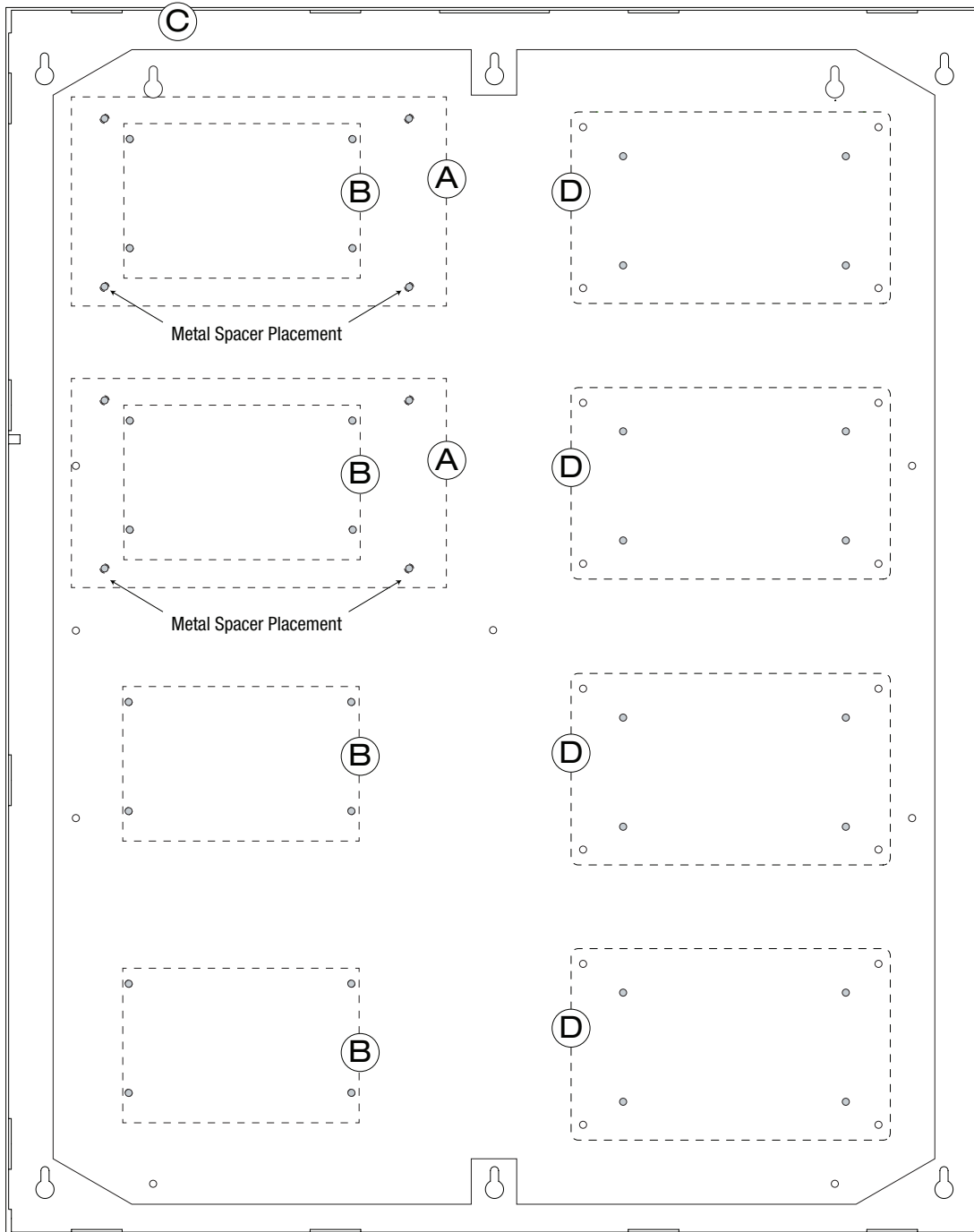
Altronix Adapters		
Adapter	Pem Mounting	Current Draw
GB1	Ⓓ	Genetec™ Synergis™ Cloud Link adapter plate

\*LINQ2 can be installed when utilizing eFlow power supply/charger boards.

## Installation Instructions for Altronix Sub-Assemblies to TV2:

1. Fasten spacers (provided) to pems that match the hole pattern for Altronix Power Supply/Chargers, Sub-Assembly boards or adapters. Use snap on nylon spacers for the upper two mounting holes in the board. Use metal spacers for the bottom mounting holes to provide sufficient grounding for the board.
  2. Affix boards to spacers (*Fig. 3, pg. 6*) by pressing down the upper mounting holes onto nylon spacers. Use provided mounting screws to affix the lower mounting holes. Make sure that boards are locked onto spacers.
  3. For detailed information about installing and connecting Altronix sub-assemblies refer to the individual Installation Instructions and **Trove Installation Guide, Rev. 101817**.
- Note:** For GB1 please use spacers supplied with the adapter.

*Fig. 3 - Refer to TV2 Sub-Assembly Position Chart, Pg. 5.*



*Fig. 3a*

## Installation Instructions for HID VertX® Sub-Assemblies to TV2:

1. Fasten spacers (provided) onto metal pems configuration (A) of backplane (Fig. 4, pg. 7).
2. Mount boards to spacers utilizing 7/8" pan head screws (provided) (Fig. 4a, pg. 7).
3. Fasten backplane to Trove2 enclosure utilizing lock nuts (provided).

### TV2 Sub-Assembly Position Chart for the Following Models:

HID VertX® Sub-Assemblies		
Sub-Assembly	Pem Mounting	Current Draw
V100	(A)	12VDC @ 60mA
V200		12VDC @ 50mA
V300		12VDC @ 60mA
V1000		12/24VDC @ 1000mA
V2000		12/24VDC @ 1000mA

Fig. 4

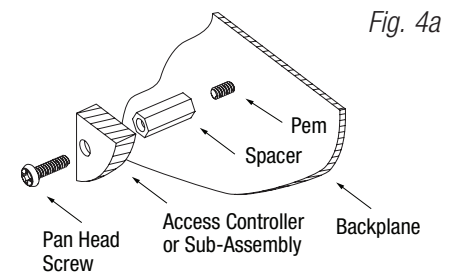
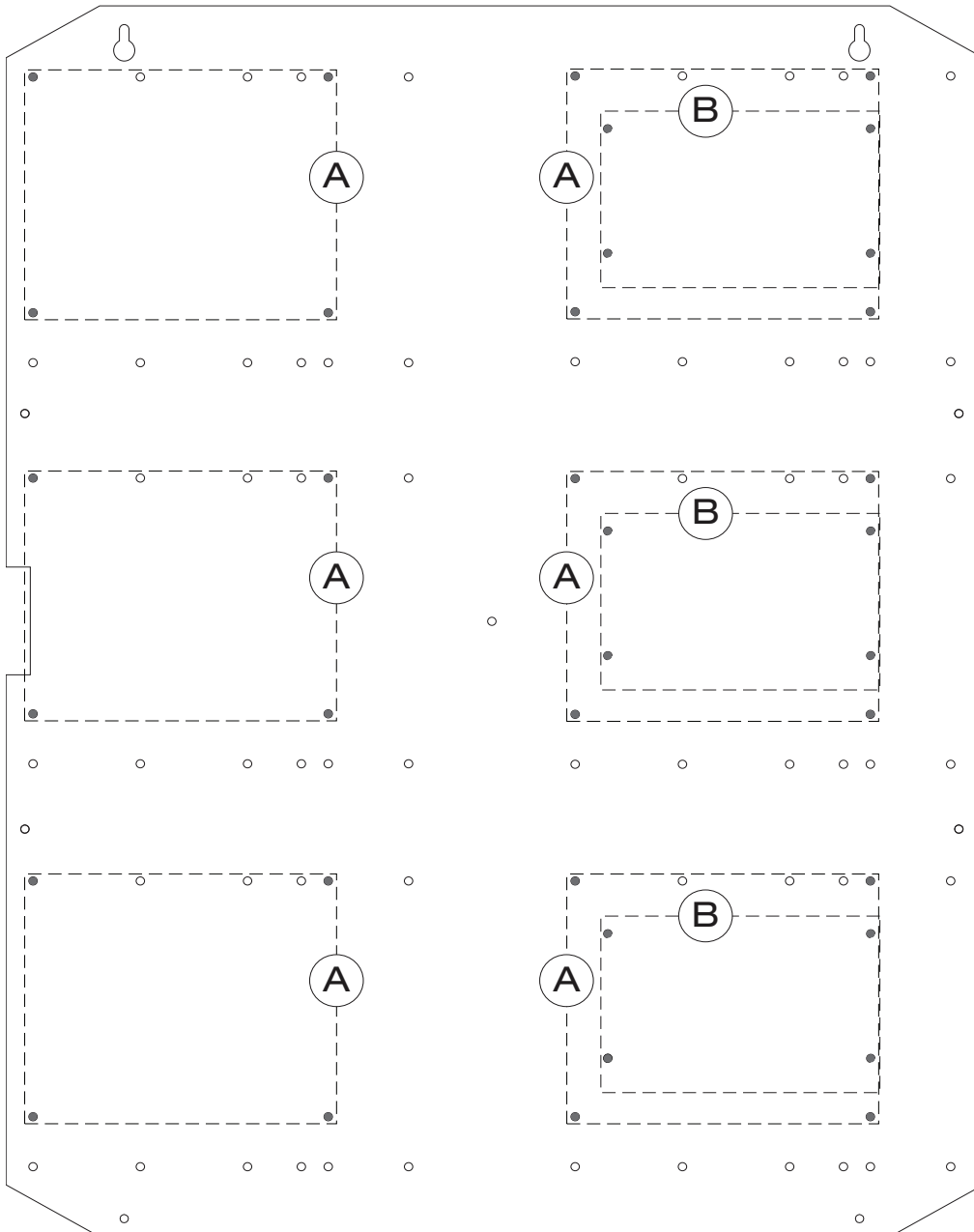


Fig. 4a

## TMV2: Configuration of HID VertX® and/or Altronix Boards

### HID VertX® Access Controllers:

1. Fasten spacers (provided) to pems which match the hole pattern for HID VertX® V100, V200, V300, V1000 or V2000 boards (Fig. 5, pg. 8).
2. Mount boards to spacers (Fig. 5, pg. 8) utilizing 7/8" pan head screws (provided).
3. Fasten backplane to Trove2 enclosure door utilizing lock nuts (provided).

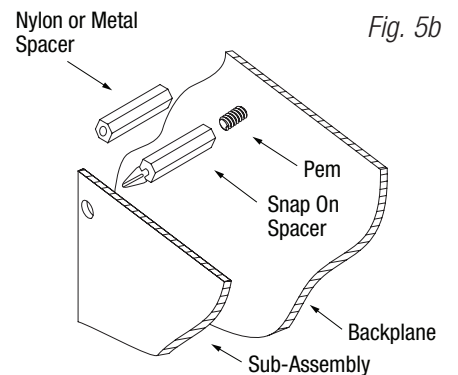
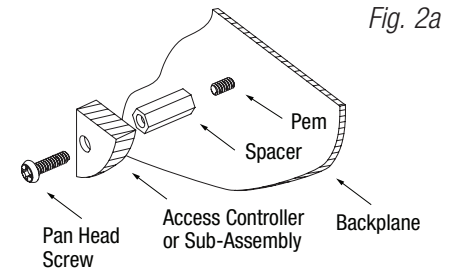
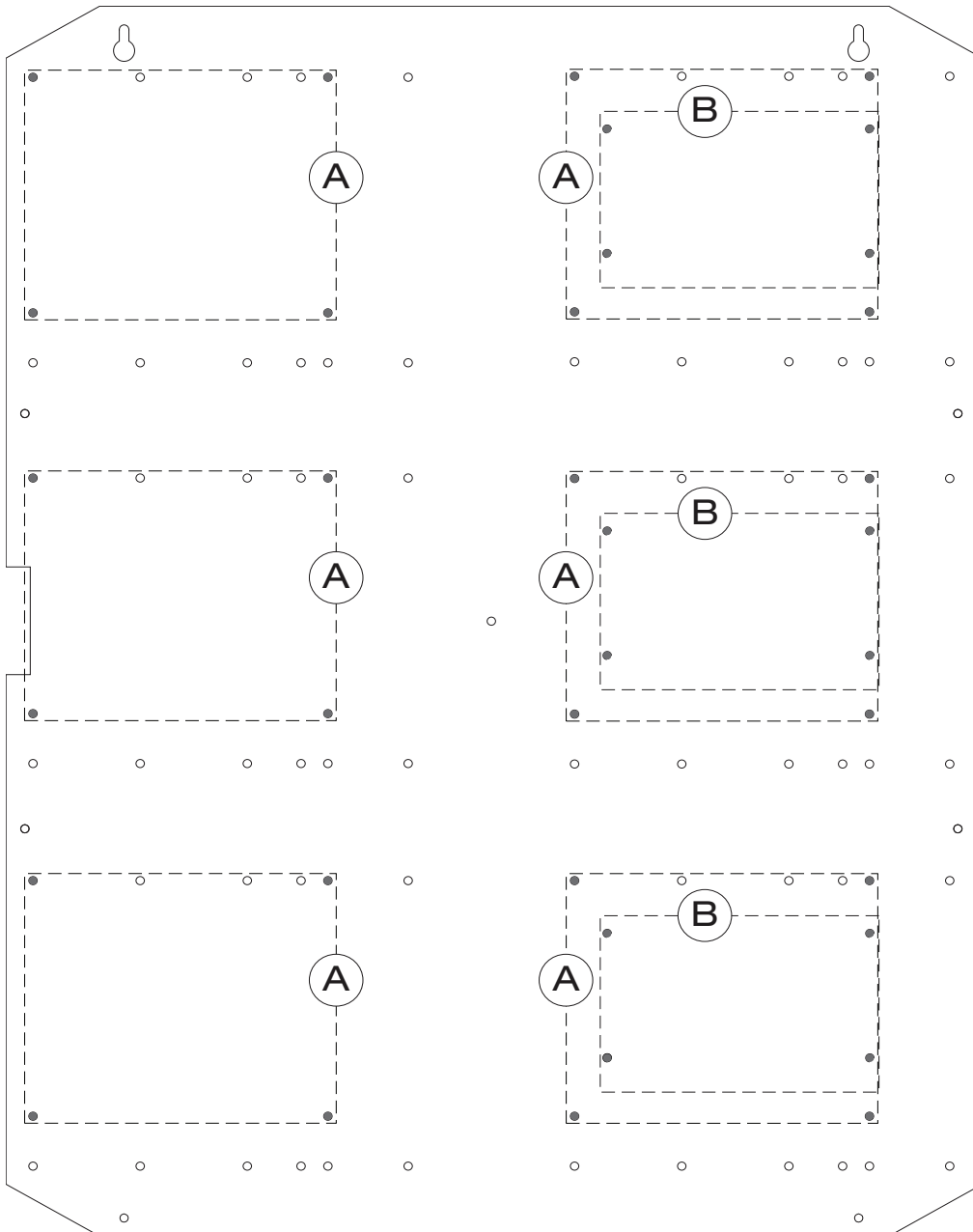
### Altronix Sub-Assemblies and/or Adapters:

1. Fasten nylon / snap on spacers to pems which match the hole pattern for Altronix Sub-Assemblies (Fig. 5, 5b, pg. 8).
  2. Mount boards to spacers utilizing pan head screws provided with the product or by depressing board onto snap on spacer (Fig. 5, pg. 8).
- Note: For GB1 please use spacers supplied with the adapter.

### Access Controller Position Chart for the Following Models:

HID VertX®	
<b>Access Controller</b>	<b>Pem Mounting</b>
V100, V200, V300, V1000 or V2000	(A)
Altronix	
<b>Sub-Assembly or Adapter</b>	<b>Pem Mounting</b>
ACM4(CB), MOM5, PD4UL(CB), PD8UL(CB), PDS8(CB), VR6, GB1 (Genetec Synergis Cloud Link adapter plate)	(B)

Fig. 5





### TV3 Sub-Assembly Position Chart for the Following Models:

Altronix Power Supplies/Sub-Assemblies			
Sub-Assembly	Pem Mounting	Input Rating	Output Rating
AL400ULXB2	Ⓐ	115VAC, 60Hz, 3.5A	12VDC @ 4A or 24VDC @ 3A
AL600ULXB		115VAC, 60Hz, 3.5A	12VDC or 24VDC @ 6A
AL1012ULXB		115VAC, 60Hz, 2.6A	12VDC @ 10A
AL1024ULXB2		115VAC, 60Hz, 4.2A	24VDC @ 10A
eFlow4NB*		120VAC, 60Hz, 3.5A	12VDC or 24VDC @ 4A
eFlow6NB*		120VAC, 60Hz, 3.5A	12VDC or 24VDC @ 6A
eFlow102NB*		120VAC, 60Hz, 3.5A	12VDC @ 10A
eFlow104NB*		120VAC, 60Hz, 4.5A	24VDC @ 10A

Altronix Sub-Assemblies		
Sub-Assembly	Pem Mounting	Current Draw
ACM8(CB)	Ⓐ	12VDC @ 0.5A max. or 24VDC @ 0.3A max.
ACM4(CB)	Ⓑ	12VDC @ 0.4A max. or 24VDC @ 0.2A max.
MOM5		12-24VDC @ 55mA max.
PD4UL(CB)		N/A
PD8UL(CB)		N/A
LINQ2*	Ⓒ	12-24VDC @ 100mA max.

Altronix Adapters		
Adapter	Pem Mounting	Current Draw
GB1	Ⓓ	Genetec™ Synergis™ Cloud Link adapter plate

\*LINQ2 can be installed when utilizing eFlow power supply/charger boards.

## Installation Instructions for Altronix Sub-Assemblies to TV3:

1. Fasten spacers (provided) to pems that match the hole pattern for Altronix Power Supply/Chargers, Sub-Assembly boards or adapters.  
Use snap on nylon spacers for the upper two mounting holes in the board.  
Use metal spacers for the bottom mounting holes to provide sufficient grounding for the board.
2. Affix boards to spacers (*Fig. 6, pg. 10*) by pressing down the upper mounting holes onto nylon spacers.  
Use provided mounting screws to affix the lower mounting holes. Make sure that boards are locked onto spacers.
3. For detailed information about installing and connecting Altronix sub-assemblies refer to the individual Installation Instructions and **Trove Installation Guide, Rev. 101817**.

Fig. 6 - Refer to TV3 Sub-Assembly Position Chart, Pg. 9.

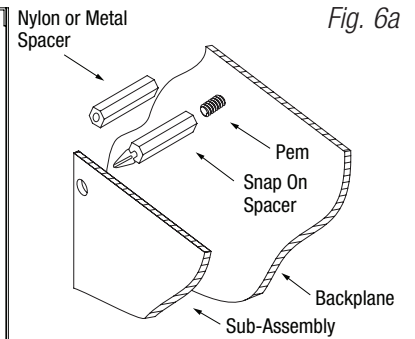
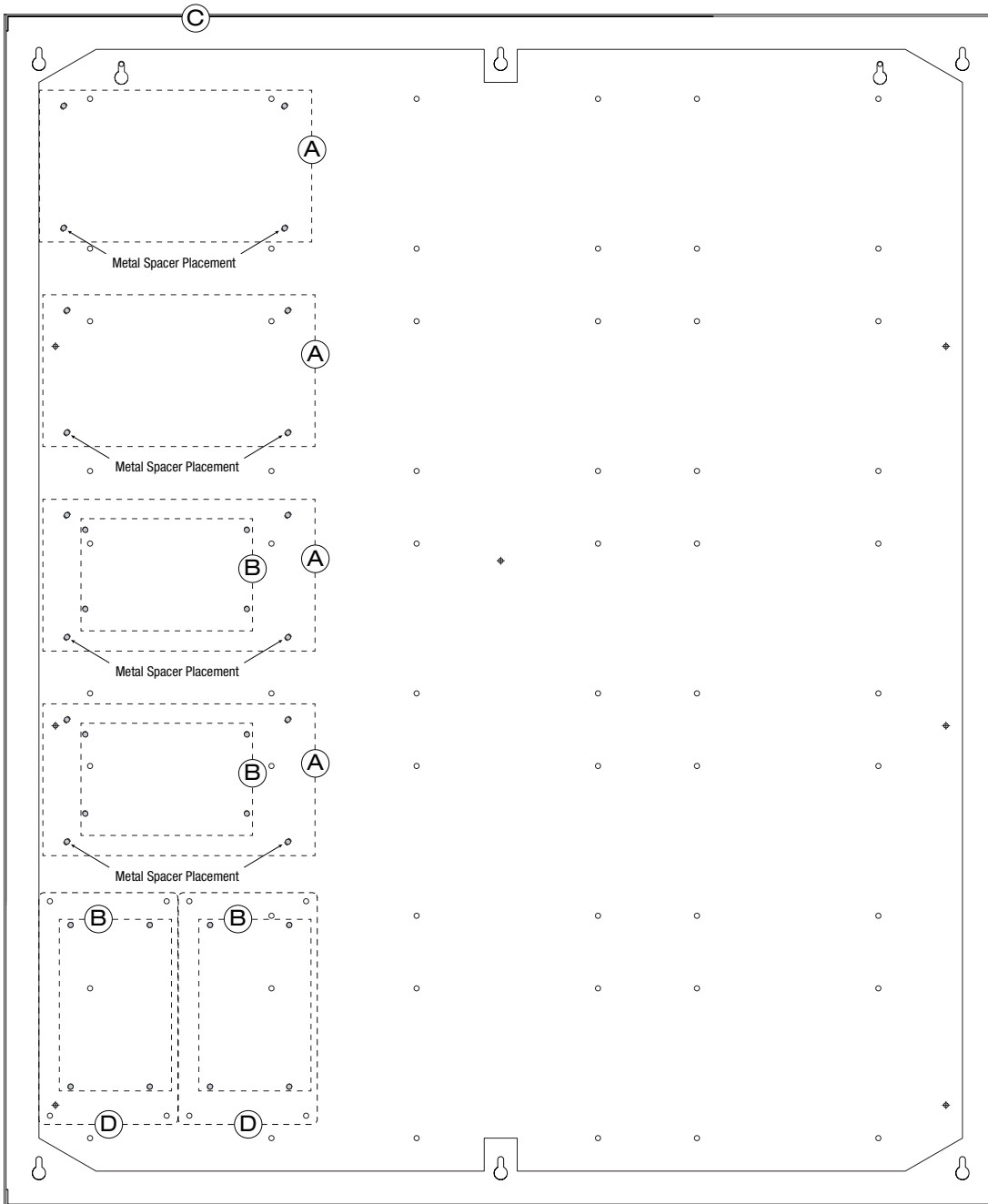


Fig. 6a

## Installation Instructions for HID VertX® Sub-Assemblies to TV3:

1. Fasten spacers (provided) onto metal pems configuration (A) of backplane (Fig. 7, pg. 11).
2. Mount boards to spacers utilizing 7/8" pan head screws (provided) (Fig. 7a, pg. 11).
3. Fasten backplane to Trove2 enclosure utilizing lock nuts (provided).

### TV3 Sub-Assembly Position Chart for the Following Models:


HID VertX® Sub-Assemblies		
Sub-Assembly	Pem Mounting	Current Draw
V100	 A	12VDC @ 60mA
V200		12VDC @ 50mA
V300		12VDC @ 60mA
V1000		12/24VDC @ 1000mA
V2000		12/24VDC @ 1000mA

Fig. 7

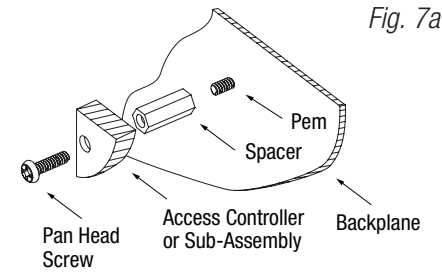
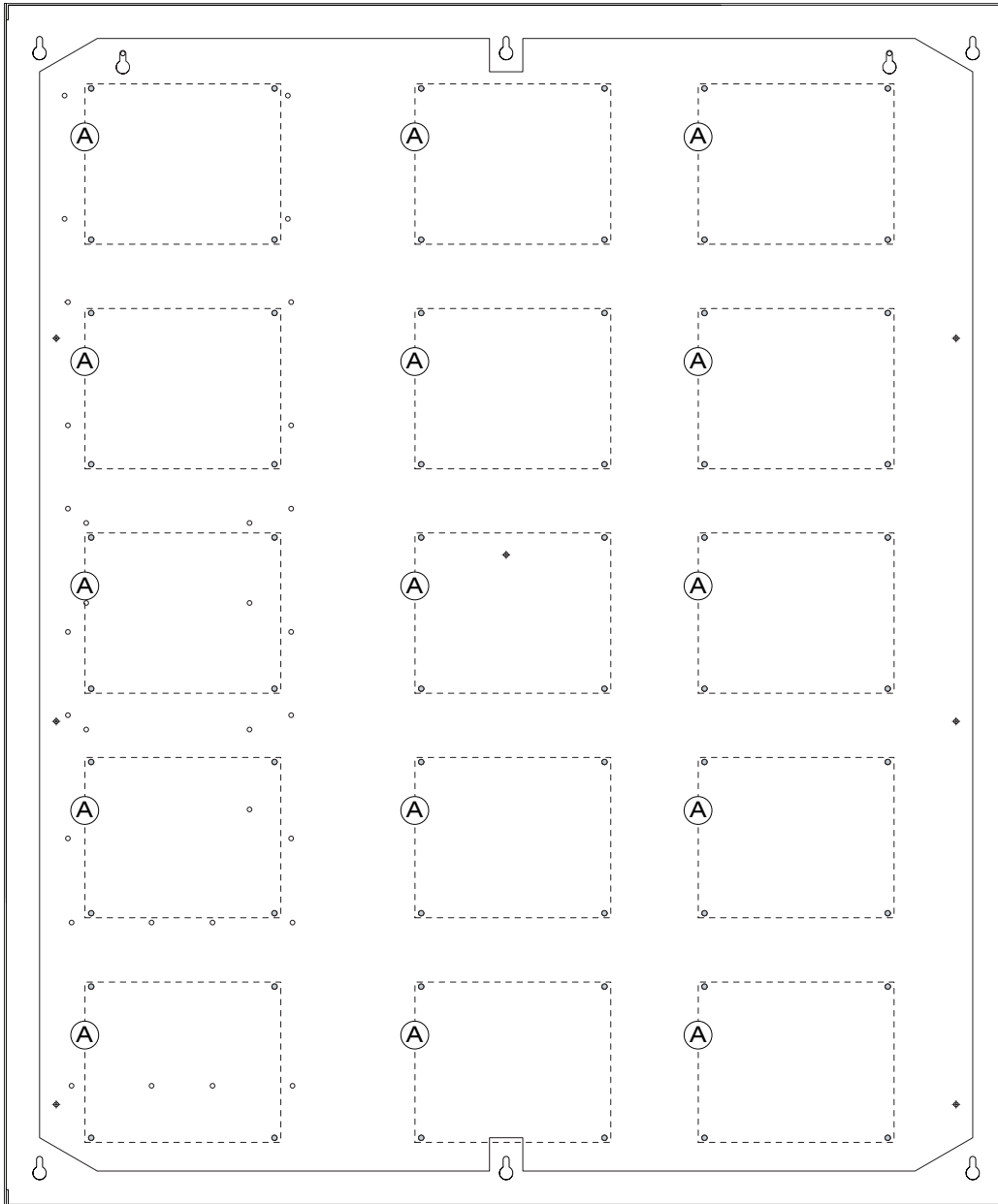
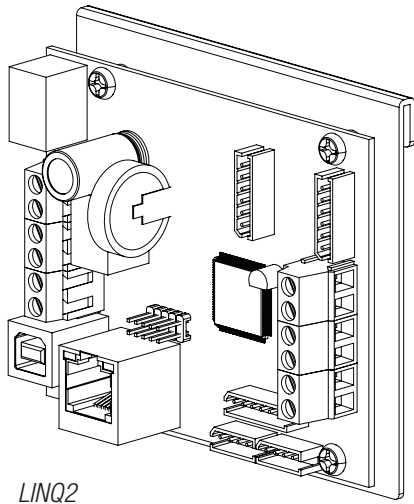


Fig. 7a



## eFlow Power Supply/Chargers can be Controlled and Monitored while Reporting Power/Diagnostics from Anywhere over the Network...



LINQ2

# LINQ™

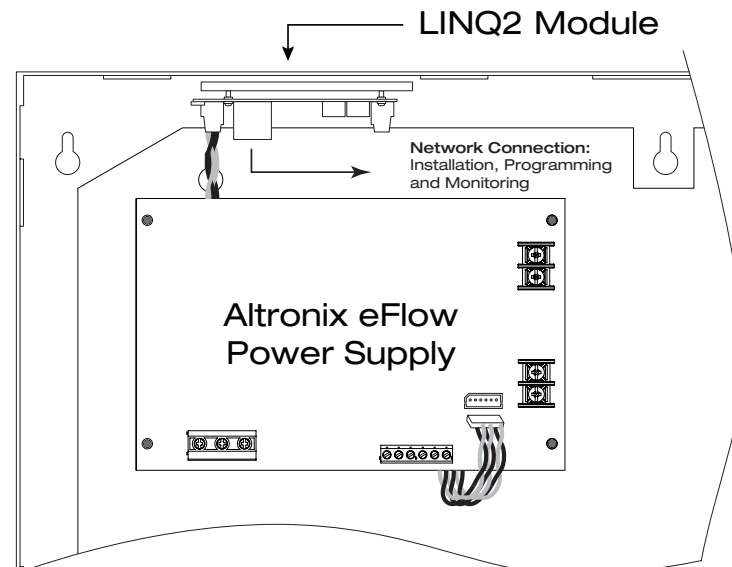
### LINQ2 - Network Communication Module

LINQ2 provides remote IP access to real-time data from eFlow power supply/chargers to help keep systems up and running at optimal levels. It facilitates fast and easy installation and set-up, minimizes system downtime, and eliminates unnecessary service calls, which helps reduce Total Cost of Ownership (TCO) - as well as creating a new source of Recurring Monthly Revenue (RMR).

### Features:

- UL Listed in the U.S. and Canada.
- Local or remote control of up to (2) two Altronix eFlow power output(s) via LAN and/or WAN.
- Monitor real time diagnostics: DC output voltage, output current, AC & battery status/service, input trigger state change, output state change and unit temperature.
- Access control and user management: Restrict read/write, Restrict users to specific resources
- Two (2) integral network controlled Form "C" Relays.
- Three (3) programmable input triggers: Control relays and power supplies via external hardware sources.
- Email and Windows Dashboard notifications
- Event log tracks history.
- Secure Socket Layer (SSL).
- Programmable via USB or web browser - includes operating software and 6 ft. USB cable.

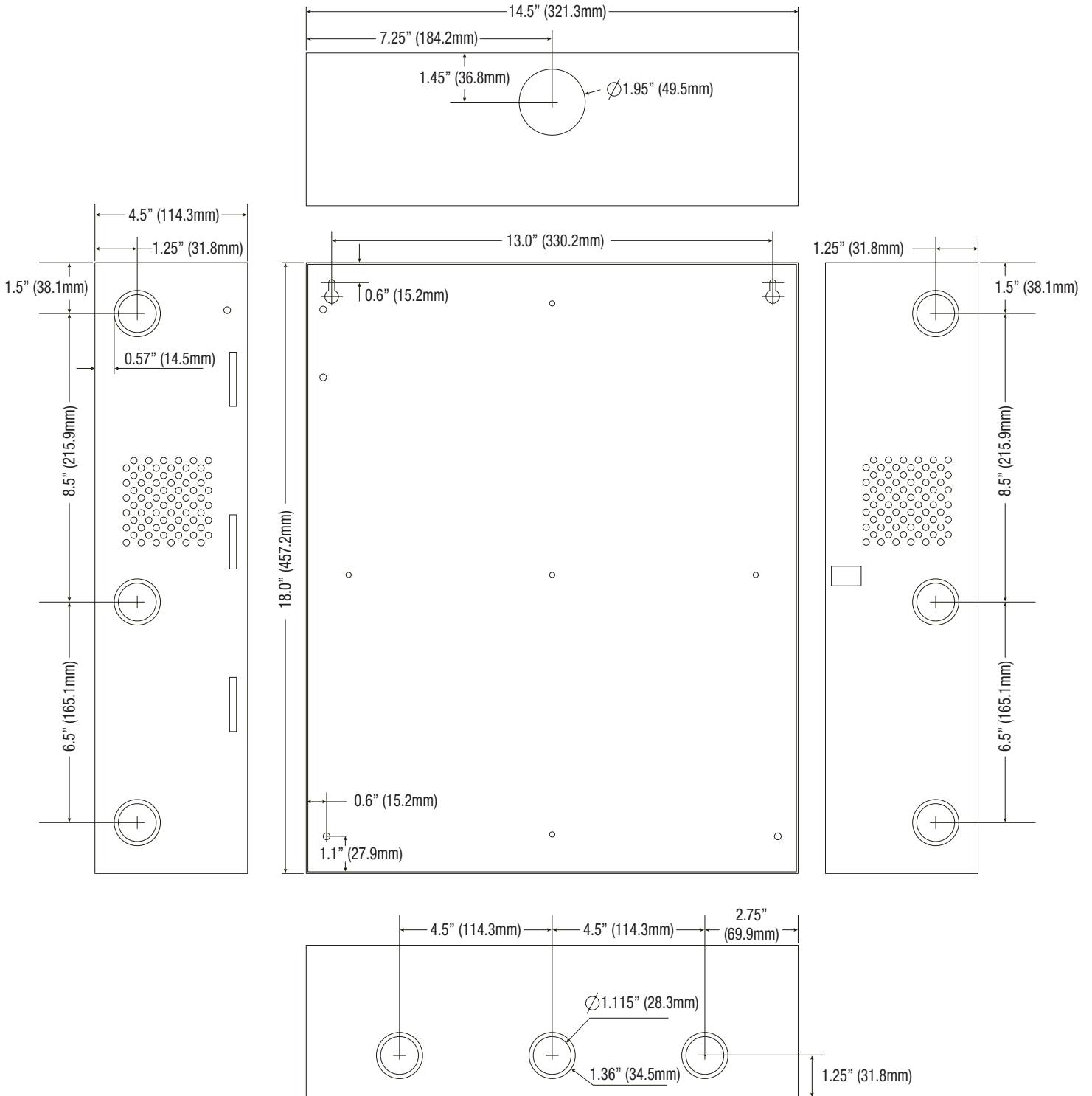
### LINQ2 Mounts Inside any Trove Enclosure



## Notes:

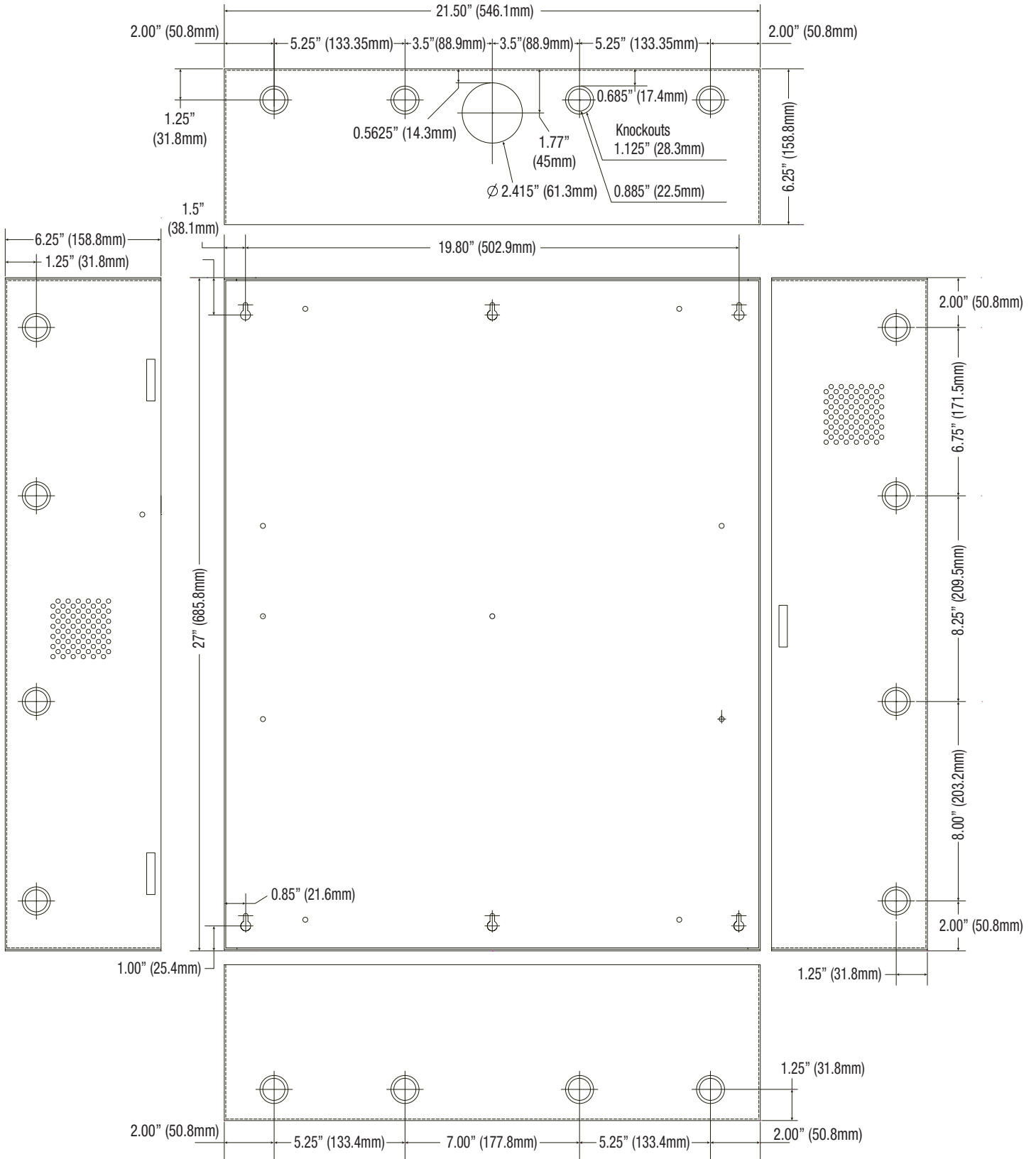
## Trove1 Enclosure Dimensions (H x W x D approximate):

18" x 14.5" x 4.625" (457mm x 368mm x 118mm)



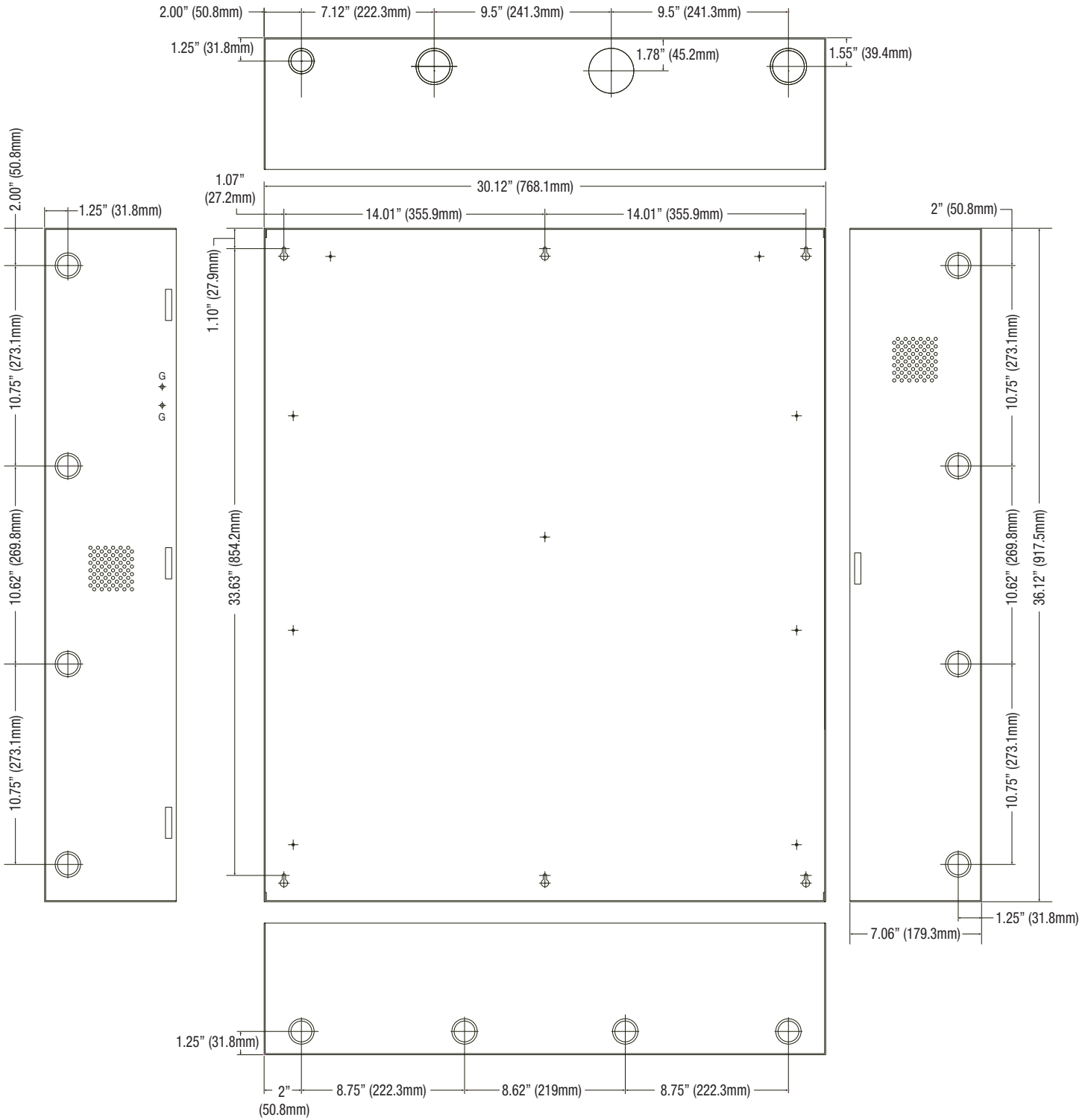
# Trove2 Enclosure Dimensions (H x W x D approximate):

27.25" x 21.75" x 6.5" (692.15mm x 546.1mm x 165.1mm)



# Trove3 Enclosure Dimensions (H x W x D approximate):

36.12" x 30.125" x 7.06" (917.5mm x 768.1mm x 179.3mm)



Altronix is not responsible for any typographical errors.

140 58th Street, Brooklyn, New York 11220 USA | phone: 718-567-8181 | fax: 718-567-9056

web site: [www.altronix.com](http://www.altronix.com) | e-mail: [info@altronix.com](mailto:info@altronix.com)

II Trove / HID VertX

J20U

