

Radiant Stack Light

Configurable to fit every need

The Radiant modular stack light allows for up to 7 light modules; 6 light modules and 1 sound module (1 channel/tone); or 5 light modules and 1 sound module (2 channels/tones).

How to Configure Your Stack Light

Follow the to configure a **steady** stack light.

Follow the to configure a **flashing** stack light with flashing controls in the light module. **This allows the user to select a different flash pattern for each light module.**

Follow the to configure a **flashing** stack light with flashing controls in the wiring module. **This option requires all light modules to have the same flash pattern.**



Step 5:
TOP CAP
Included
with Wiring
and Sound
Module

Step 4:
Select a
SOUND
MODULE
(Optional)

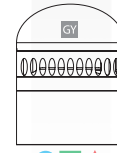
Step 3:
Select a
LIGHT
MODULE

Step 2:
Select a
WIRING
MODULE

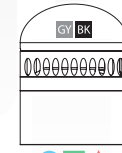
Step 1:
Select a
MOUNTING
BASE



TOP CAP
Included with Wiring
and Sound Module



RSL-SM
Piezoelectric sound
module (2 tones)
includes attached
top cap



RSL-SMM
Piezoelectric sound
module (16 tones)
includes attached
top cap



RSL-LMS
LED
light module



RSL-LMB
Bright LED
light module



RSL-LMM
Multi-pattern
superbright LED light
module (4 light effects)



RSL-WML
Wiring module
12-24VAC/DC



RSL-WMLM
Multi-pattern wiring
module 12-24VAC/DC
(4 light effects)



RSL-WMH
Wiring module
120-240VAC



RSL-WMHM
Multi-pattern wiring
module 120-240VAC
(4 light effects)



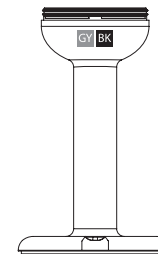
RSL-BF
Flat Base



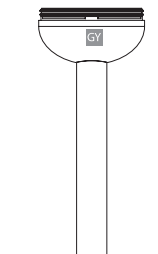
RSL-BW
Wall Base



RSL-BP
Pipe Mount



RSL-BE
Extended Base



RSL-BT
Tube Base
(4 lengths)

For additional configuration information, reference "How to Order" section on individual product pages.
Note: top cap provided with each wiring module.

Model RSL-B

Radiant Mounting Options

Five base options allow for mounting flexibility

Flat Base – Designed for flat surface mounting when cabling from the bottom of the device and a compact design is needed.





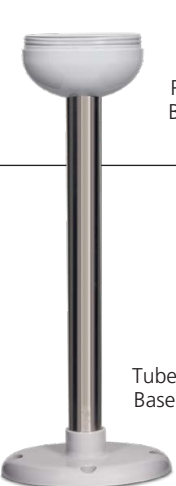
Wall Base – Designed for lateral or wall mounting.

Extended Base – Designed for mounting on a flat surface. Allows for an additional lift of 3.94" (100 mm).

Pipe Base – Designed for installation on a 1/2" NPT pipe.

Tube Base – Designed for flat surface mounting, featuring a stainless steel extension tube when a higher profile design is needed. Lengths available: 5.55" (141mm), 9.49" (241mm), 13.43" (341mm) and 17.36" (441mm).

HOW TO ORDER

	Model Number	Base Color	Weight	
 <p>Flat Base</p>	RSL-BF-GY	Gray	1.76 oz 0.05 kg	
	RSL-BF-BK	Black		
 <p>Wall Base</p>	RSL-BW-GY	Gray	2.12 oz 0.06 kg	
	RSL-BW-BK	Black		
 <p>Extended Base</p>	RSL-BE-GY	Gray	2.50 oz 0.07 kg	
	RSL-BE-BK	Black		
 <p>Pipe Base</p>	RSL-BP-GY	Gray	2.82 oz 0.08 kg	
	RSL-BP-BK	Black		
 <p>Tube Base</p>	RSL-BT1-GY 5.55" / 141.0 mm	Gray	3.53 oz 0.10 kg	
	RSL-BT2-GY 9.49" / 241.0 mm		4.94 oz 0.14 kg	
	RSL-BT3-GY 13.43" / 341.1 mm		6.35 oz 0.18 kg	
	RSL-BT4-GY 17.36" / 440.9 mm		7.76 oz 0.22 kg	

Shown with
included top cap



► Model RSL-WM

Radiant Wiring Modules

RSL-WML and RSL-WMH steady light effect models offer 7 electrical contacts, allowing for up to 7 light modules; 6 light modules + 1 sound module (1 channel) or 5 light modules + 1 sound module (2 channels).

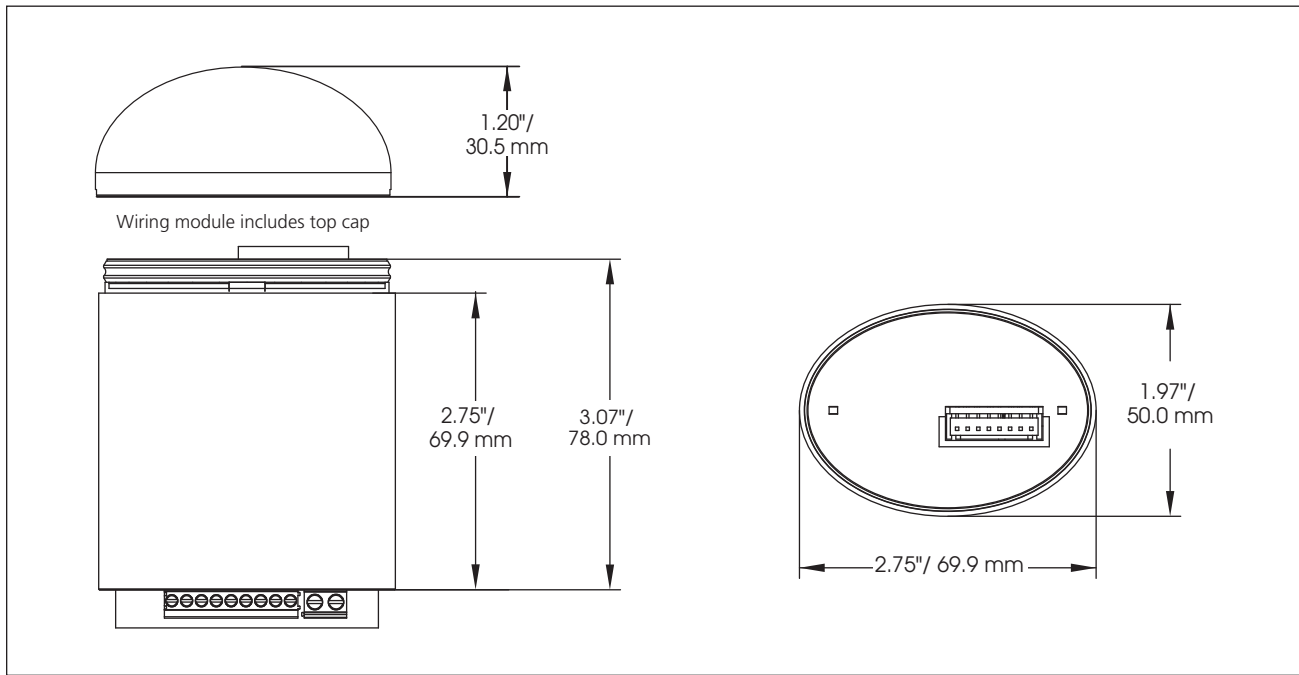
RSL-WMLM and RSL-WMHM share the same features as the RSL-WML and RSL-WMH with the added benefit of the ability to generate a flashing sequence in any of the individual modules via electrical contacts or PLC. The RSL-WMLM and RSL-WMHM have four integrated light effects: single flash, double flash, triple flash and simulated strobe.

A top cap is provided with each wiring module.

F E A T U R E S

- Modular design allows up to 7 light modules; 6 light modules + 1 sound module (1 channel) or 5 light modules + 1 sound module (2 channels)
- Steady effect for models WML or WMH
- Four flash patterns available in models WMLM or WMHM
- Available in 12-24VAC/DC or 120-240VAC
- Available in gray or black housings
- Indoor/outdoor use
- Type 4X, IP65, IP69K enclosure when installed with both gaskets included on each module
- RoHS Compliant
- UL and cUL Listed, CE Certified

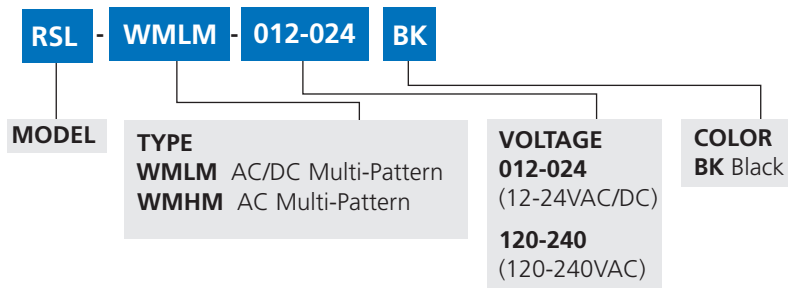
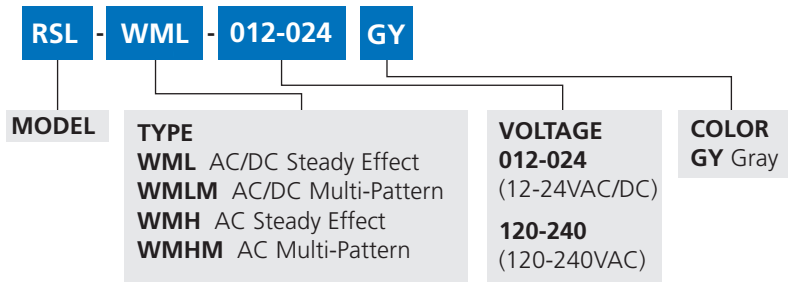
Radiant Wiring Modules (RSL-WM)



SPECIFICATIONS

Operating Temperature:	-22° to 122°F	30° to 50°C
Net Weight:	5.64 oz	0.16 kg

HOW TO ORDER



Stack Light Configuration Steps:

- 1: Select your mounting base
- 2: Select your wiring module based on:
 - A: Voltage
 - B: Steady or flashing effects
- 3: Select your light module(s) based on:
 - A: Color
 - B: Brightness
 - C: Lens type
 - D: Steady or flashing effects
- 4: Select your sound module (optional)



► Model RSL-LMS

Radiant Steady Light Module

RSL-LMS offers a steady LED light with high optical performance. Its modular design and simple functionality are the right choice for a basic stack light application.

RSL-LMS-F consists of a colored fresnel lens with a colored light source. The use of a colored lens with the same colored LED allows optimization of the emission frequency, producing a rich intense light output.

RSL-LMS-O consists of an opaque colored lens with a colored LED. The opaque characteristic allows an optimally diffused light without disturbing the operator.

FEATURES

- Modular design allows up to 7 light modules; 6 light modules & 1 sound module (1 channel) or 5 light modules & 1 sound module (2 channels)
- Steady light effect with 6 LEDs
- Two lens types: Fresnel and Opaque
- Compatible with 12-24VAC/DC or 120-240VAC*
- Indoor/outdoor use
- PLC compatible
- Type 4X, IP65, IP69K enclosure when installed with both gaskets included on each module
- RoHS Compliant
- UL and cUL Listed, CE Certified

*Voltage dependent on selected wiring module

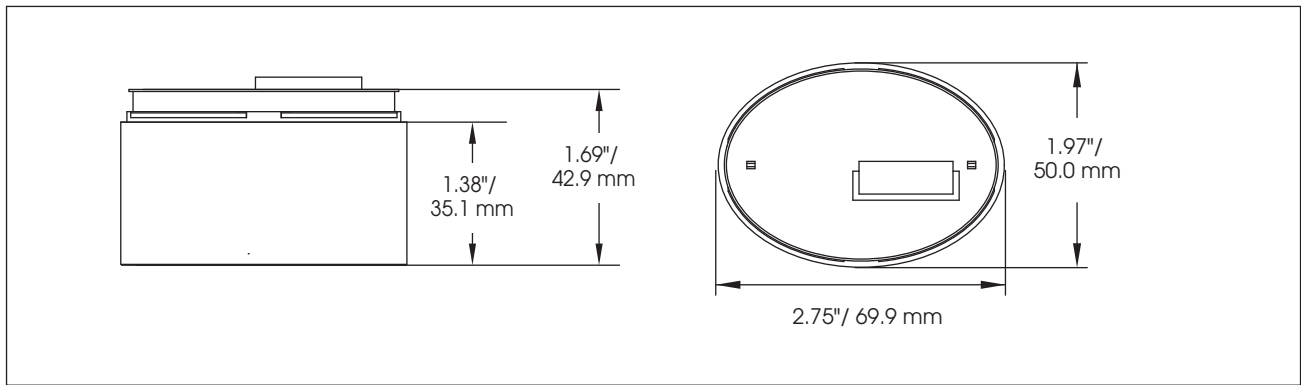


Wiring Modules

MODEL RSL - LMS	MAXIMUM OPERATING CURRENT* (mA)			
	24VDC	24VAC	120VAC	240VAC
RSL-WML/RSL-WMH	35	75	30	25
RSL-WMLM/RSL-WMHM	50	110	30	25

*Maximum operating current listed is for one module. For multiple modules the current will have to be added together throughout the configuration to get the total maximum operating current.

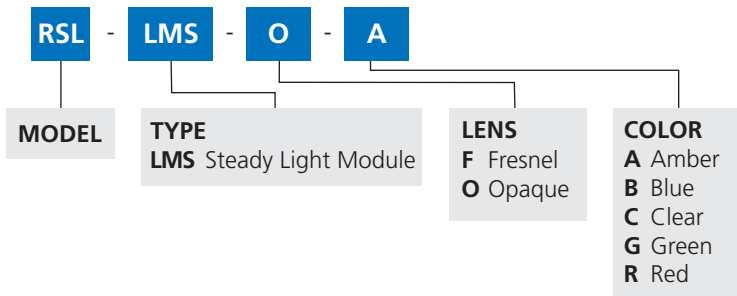
Radiant Steady Light Module (RSL-LMS)



SPECIFICATIONS

Operating Temperature:	-22° to 122°F	-30° to 50°C
Lamp Life:		50,000 Hours
Light Source:		LED
Net Weight:	1.41 oz	0.04 kg

HOW TO ORDER



Stack Light Configuration Steps:

- 1: Select your mounting base
- 2: Select your wiring module based on:
 - A: Voltage
 - B: Steady or flashing effects
- 3: Select your light module(s) based on:
 - A: Color
 - B: Brightness
 - C: Lens type
 - D: Steady or flashing effects
- 4: Select your sound module (optional)

Order Example for a Steady Radiant Stack Light

Example of what is needed to order a model with 120VAC, Steady, Red, Amber & Green LEDs, Fresnel Lens, Flat Surface Mount, Gray Housing

QTY	MODEL	DESCRIPTION
1	RSL-BF-GY	Flat Base, Gray
1	RSL-WMH-120-240GY	120-240VAC Standard Wiring Module, Gray
1	RSL-LMS-F-R	Steady Light Module, Fresnel Lens, Red
1	RSL-LMS-F-A	Steady Light Module, Fresnel Lens, Amber
1	RSL-LMS-F-G	Steady Light Module, Fresnel Lens, Green



► Model RSL-LMB

Radiant Steady, Bright Light Module



RSL-LMB offers a bright, steady LED light with high optical performance. Its modular design and simple functionality combined with bright LED's, make this stack light option the right choice for an advanced application.

RSL-LMB-F consists of a colored fresnel lens with a colored LED. The use of a colored lens with the same colored light source allows for optimization of the emission frequency, producing a rich intense light output.

RSL-LMB-C consists of a clear fresnel lens with colored LED for use in very bright environments or outdoor applications.

FEATURES

- Modular design allows for up to 7 light modules; 6 light modules & 1 sound module (1 channel) or 5 light modules & 1 sound module (2 channels)
- Steady light effect with 6 bright LEDs
- Two lens types: Clear and Colored
- Compatible with 12-24VAC/DC or 120-240VAC*
- Indoor/outdoor use
- PLC compatible
- Type 4X, IP65, IP69K enclosure when installed with both gaskets included on each module
- RoHS Compliant
- UL and cUL Listed, CE Certified

*Voltage dependent on selected wiring module

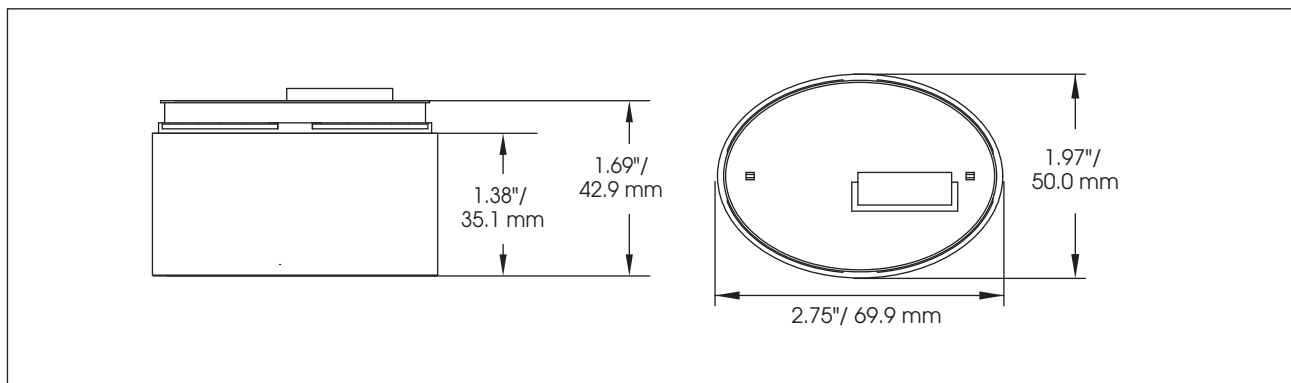


Wiring Modules

MODEL RSL - LMB	MAXIMUM OPERATING CURRENT* (mA)			
	24VDC	24VAC	120VAC	240VAC
RSL-WML/RSL-WMH	50	60	35	25
RSL-WMLM/RSL-WMHM	70	100	35	25

*Maximum operating current listed is for one module. For multiple modules the current will have to be added together throughout the configuration to get the total maximum operating current.

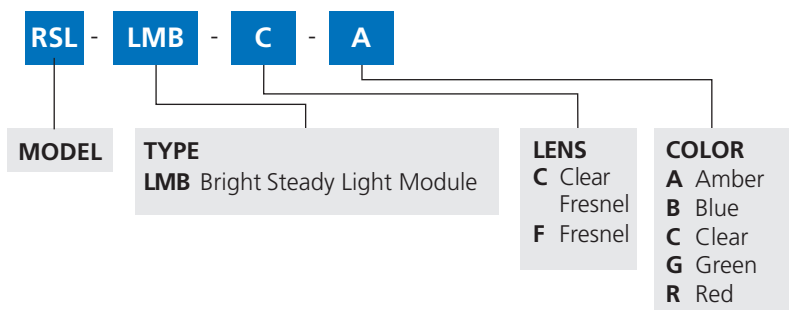
Radiant Steady, Bright Light Module (RSL-LMB)



SPECIFICATIONS

Operating Temperature:	-22° to 122°F	-30° to 50°C
Lamp Life:		50,000 Hours
Light Source:		LED
Net Weight:	1.41 oz	0.04 kg

HOW TO ORDER



Stack Light Configuration Steps:

- 1: Select your mounting base
- 2: Select your wiring module based on:
 - A: Voltage
 - B: Steady or flashing effects
- 3: Select your light module(s) based on:
 - A: Color
 - B: Brightness
 - C: Lens type
 - D: Steady or flashing effects
- 4: Select your sound module (optional)

Order Example for a Flashing Radiant Stack Light with Flash Pattern Selection in the Wiring Module

Example of what is needed to order a model with 12VDC, Flashing, Amber & Red LEDs, Clear Lens, Wall Mount, Sixteen-Tone Sound Module, Black Housing

QTY	MODEL	DESCRIPTION
1	RSL-BW-BK	Wall Base, Black
1	RSL-WMLM-012-024BK	12-24VAC/DC Multi-Pattern Wiring Module, Black
1	RSL-LMB-C-R	Steady Light Module, Clear Lens, Red
1	RSL-LMB-C-A	Steady Light Module, Clear Lens, Amber
1	RSL-SMM-BK	Sixteen-Tone Sound Module, Black



► Model RSL-LMM

Radiant Multi-Pattern Light Module



RSL-LMM offers a multi-pattern LED light with high optical performance. Its modular design and compound functionality make this module ideal for applications where gaining attention is required.

RSL-LMM is capable of producing four integrated light effects: double flash, triple flash, strobe effect and random. The random pattern consists of an uneven flashing pattern, increasing the ability to catch attention.

Pattern selection in the individual light modules allows each light module in your configuration to activate a different flash pattern.

FEATURES

- Modular design allows for up to 7 light modules; 6 light modules & 1 sound module (1 channel) or 5 light modules & 1 sound module (2 channels)
- Four integrated flash patterns selectable via dip-switch
- Compatible with 12-24VAC/DC or 120-240VAC*
- Indoor/outdoor use
- PLC compatible
- Type 4X, IP65, IP69K enclosure when installed with both gaskets included on each module
- RoHS Compliant
- UL and cUL Listed, CE Certified

*Voltage dependent on selected wiring module

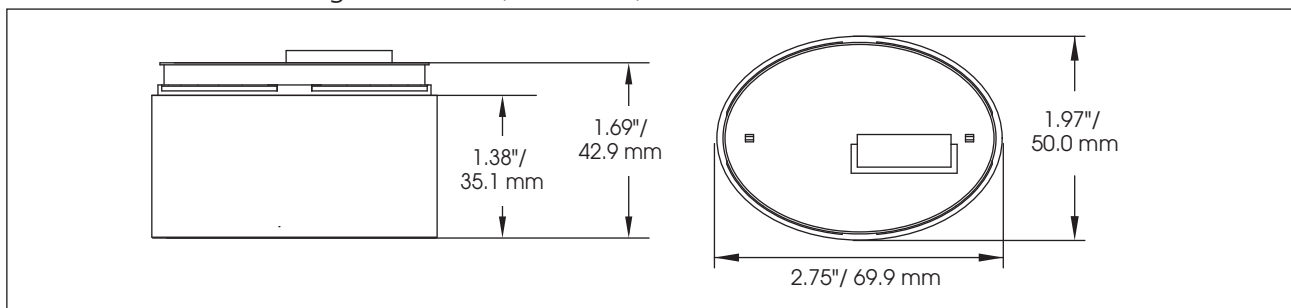


Wiring Modules

MODEL	MAXIMUM OPERATING CURRENT* (mA)			
	24VDC	24VAC	120VAC	240VAC
RSL-LMM				
RSL-WML/RSL-WMH	60	100	35	25

*Maximum operating current is for one module. For multiple modules the current will have to be added throughout the configuration to get the total maximum operating current.

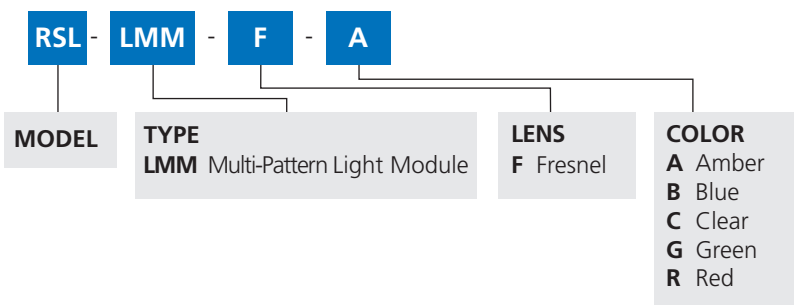
Radiant Multi-Pattern Light Module (RSL-LMM)



SPECIFICATIONS

Operating Temperature:	-22° to 122°F	-30° to 50°C
Lamp Life:		50,000 Hours
Light Source:		LED
Net Weight:	1.41 oz	0.04 kg

HOW TO ORDER



Stack Light Configuration Steps:

- 1: Select your mounting base
- 2: Select your wiring module based on:
 - A: Voltage
 - B: Steady or flashing effects
- 3: Select your light module(s) based on:
 - A: Color
 - B: Brightness
 - C: Lens type
 - D: Steady or flashing effects
- 4: Select your sound module (optional)

Order Example for a Flashing Radiant Stack Light with Flash Pattern Selection in Light Modules

Example of what is needed to order a model with 24VDC, Flashing, Green & Red LEDs, Fresnel Lens, Pipe Mount, Two-Tone Sound Module, Gray Housing

QTY	MODEL	DESCRIPTION
1	RSL-BP-GY	Pipe Mount Base, Gray
1	RSL-WML-012-024GY	12-24VAC/DC Standard Wiring Module, Gray
1	RSL-LMM-F-G	Multi-Pattern Light Module, Fresnel Lens, Green
1	RSL-LMM-F-R	Multi-Pattern Light Module, Fresnel Lens, Red
1	RSL-SM-GY	Two-Tone Sound Module, Gray

Order Example for a Steady & Flashing Combination Radiant Stack Light

Example of what is needed to order a model with 240VAC, Red Flashing, Amber Flashing, Green Steady, Fresnel Lens, Extended Mount, Gray Housing

QTY	MODEL	DESCRIPTION
1	RSL-BE-GY	Extended Mount Base, Gray
1	RSL-WMH-120-240GY	120-240VAC Standard Wiring Module, Gray
1	RSL-LMM-F-R	Multi-Pattern Light Module, Fresnel Lens, Red
1	RSL-LMM-F-A	Multi-Pattern Light Module, Fresnel Lens, Amber
1	RSL-LMS-F-G	Steady Light Module, Fresnel Lens, Green



Radiant sound modules come complete with top cap installed.

► Model RSL-SM and RSL-SMM

Radiant Sound Module

Radiant sound modules add an audible alert to a visual stack light application. Depending on the application need, there are two possible solutions:

RSL-SM contains 2 tones (intermittent and continuous) over 2 channels. It allows for use of both channels, by connecting 2 of the 7 available contacts of the wiring module.

RSL-SMM contains 16 tones (mixed types) over 2 channels. It allows for use of both channels, by connecting 2 of the 7 available contacts of the wiring module. For each channel it is possible to select the sound via dip-switch prior to assembling the unit.

FEATURES

- Modular design offers up to 7 light modules; 6 light modules & 1 sound module (1 channel) or 5 light modules & 1 sound module (2 channels)
- RSL-SM contains 2 tones, RSL-SMM contains 16 tones
- Volume control in model RSL-SMM
- Compatible with 12-24VAC/DC or 120-240VAC*
- Indoor/outdoor use
- PLC compatible
- Type 4X, IP65, IP69K enclosure when installed with both gaskets included on each module
- RoHS Compliant
- UL and cUL Listed, CE Certified

*Voltage dependent on selected wiring module



Wiring Modules

MODEL RSL - SM	DECIBELS @ 1M		MAXIMUM OPERATING CURRENT* (mA)			
	MIN.	MAX.	24VDC	24VAC	120VAC	240VAC
RSL-WML/RSL-WMH	N/A**	87	50	120	30	25
RSL-WMLM/RSL-WMHM	N/A**	87	65	130	30	25

*Maximum operating current is for one module. For multiple modules the current will have to be added throughout the configuration to get the total maximum operating current.

**Model RSL-SM does not offer volume control

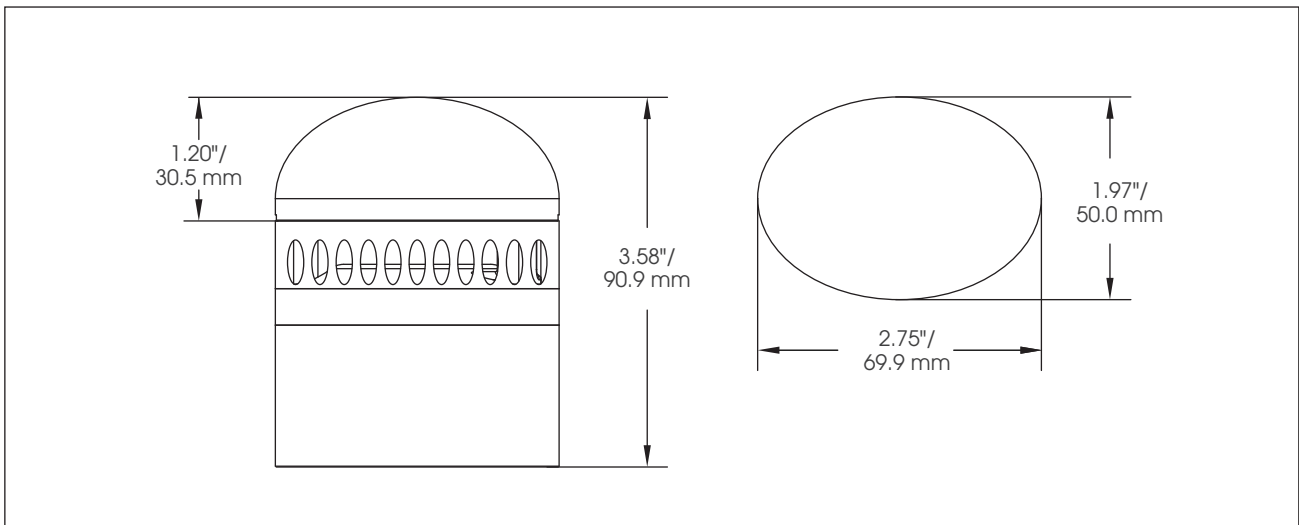


Wiring Modules

MODEL RSL - SMM	DECIBELS @ 1M		MAXIMUM OPERATING CURRENT* (mA)			
	MIN.	MAX.	24VDC	24VAC	120VAC	240VAC
RSL-WML/RSL-WMH	60	90	200	450	100	50
RSL-WMLM/RSL-WMHM	60	90	200	450	100	50

*Maximum operating current is for one module. For multiple modules the current will have to be added throughout the configuration to get the total maximum operating current.

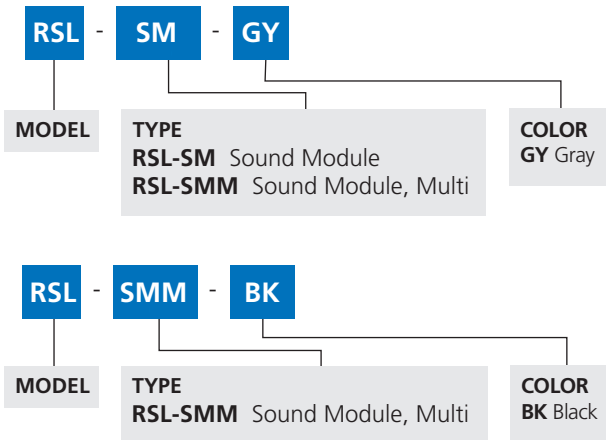
Radiant Sound Module (RSL-SM/RSL-SMM)



SPECIFICATIONS

Operating Temperature:	-22° to 122°F	-30° to 50°C
Net Weight:		
RSL-SM	2.82 oz	0.08 kg
RSL-SMM	3.17 oz	0.09 kg

HOW TO ORDER



Stack Light Configuration Steps:

- 1: Select your mounting base
- 2: Select your wiring module based on:
 - A: Voltage
 - B: Steady or flashing effects
- 3: Select your light module(s) based on:
 - A: Color
 - B: Brightness
 - C: Lens type
 - D: Steady or flashing effects
- 4: Select your sound module (optional)