

EMERGENCY LIGHTING

Emergency Lighting Solution

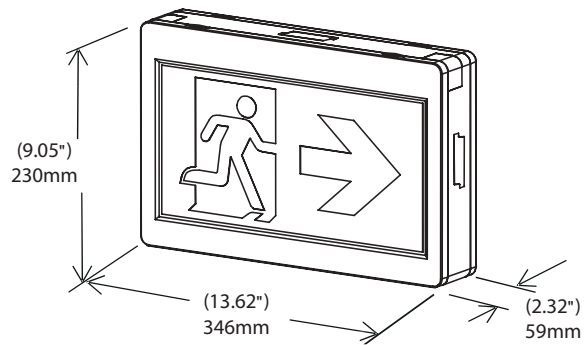
2018 Edition



mircom.com/emergency-lighting



Technical Drawing



FEATURES	
LED Type	SMD LED
Battery Type	Ni-cd
Working Time	90 minutes
Charging Time	15-24 Hours

Model No	Power (W)	Lamp Type	Input Voltage	Frequency	Discharge
ELRM-100	1.5W	SMD LED	120/347VAC	60Hz	90 minutes

DESCRIPTION

- Injection-molded thermoplastic ABS housing
- UL-94V-0 flame rating, fire-retardant
- Wall and ceiling mounting
- Input Voltage: 120/347VAC 60Hz
- Super bright SMD LED
- Nickel Cadmium Battery
- Test switch and charge indicator light
- Overcharge & Over-discharge protection
- Backup time: ≥90 minutes
- Conversion time: <0.2 second
- IP Class: IP20
- Insulation: II, Range: 80m2 / 860sq.ft
- Operating Temperature: 0 °C ~ 40 °C / 32 °F ~104 °F

Included Pictograms



Arrow Right 2pcs



Without Arrow 1pcs

ELRM-180-2RC

LED Running Man Sign with 2X LED Remotes Built-In (Remote Capable)



Included Pictograms



Arrow Right 2pcs

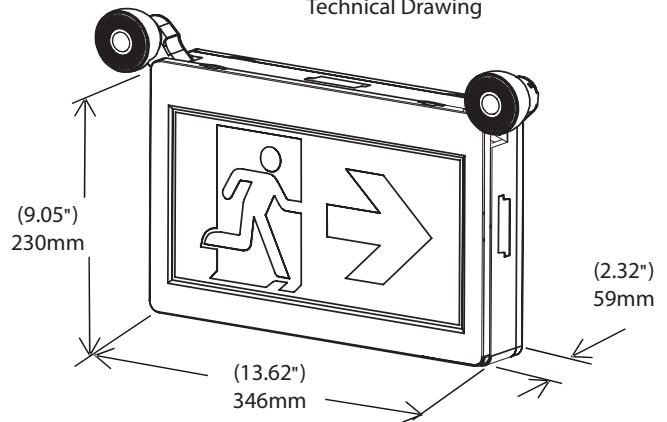


Without Arrow 1pcs



FEATURES	
LED Type	SMD LED
Battery Type	Ni-cd
Working Time	90 minutes
Charging Time	15-24 Hours

Technical Drawing



Model No	Power (W)	Lamp Type	Input Voltage	Frequency	Discharge
ELRM-180	3.5W	2x1 LED	120/347VAC	60Hz	90 minutes

DESCRIPTION

- Injection-molded thermoplastic ABS housing
- UL-94V-0 flame rating, fire-retardant
- Wall and ceiling mounting
- Input Voltage: 120/347VAC 60Hz
- Super bright SMD LED 2x1W
- Nickel Cadmium Battery
- Test switch and charge indicator light
- Overcharge & Over-discharge protection
- Backup time: ≥90 minutes
- Conversion time: <0.2 second
- IP Class: IP20
- Insulation: II, Range: 80m2 / 860sq.ft
- Operating Temperature: 0 °C ~ 40 °C / 32 °F ~104 °F

Remote Add-ons:



EL-7030A (2pc Max)



EL-7030B (1pc Max)

EL-7030A

Single LED Remote Head (Universal Voltage)



DESCRIPTION

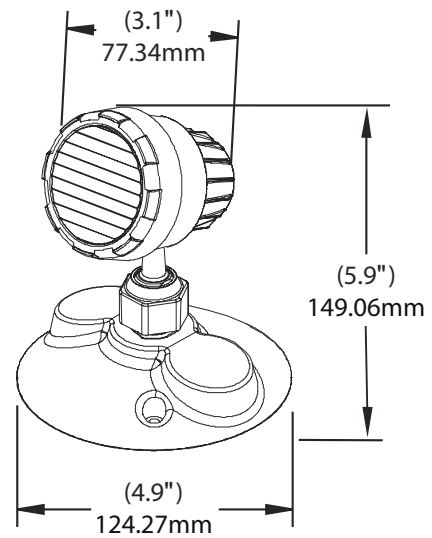
- Injection-molded thermoplastic ABS housing
- UL-94V-0 flame rating, fire-retardant
- Wall and ceiling mounting
- Universal voltage LED remote compatible with any emergency lighting system (3.6-24VDC)
- Super bright SMD LED 2W
- IP Class: IP20
- Insulation: II, Range: 80m2 / 860sq.ft
- Operating Temperature: 0 °C ~ 40 °C / 32 °F ~104 °F

Suitable for:

ELRM-180-2RC

EL-7006-RC

Technical Drawing



EL-7030B

Double LED Remote Head (Universal Voltage)



DESCRIPTION

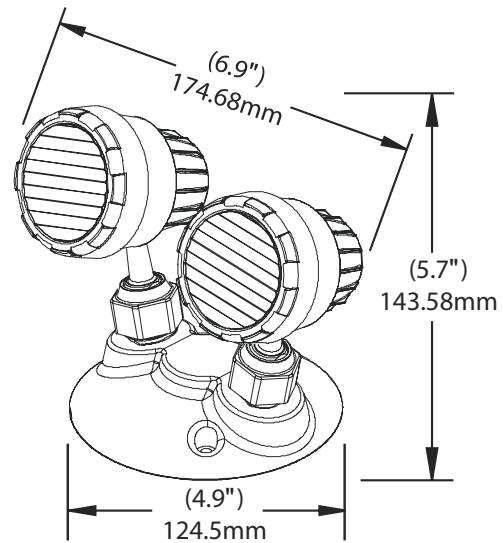
- Injection-molded thermoplastic ABS housing
- UL-94V-0 flame rating, fire-retardant
- Wall and ceiling mounting
- Universal voltage LED remote compatible with any emergency lighting system (3.6-24VDC)
- Super bright SMD LED 2x2W
- IP Class: IP20
- Insulation: II, Range: 80m2 / 860sq.ft
- Operating Temperature: 0 °C ~ 40 °C / 32 °F ~ 104 °F

Suitable for:

ELRM-180-2RC

EL-7006-RC

Technical Drawing



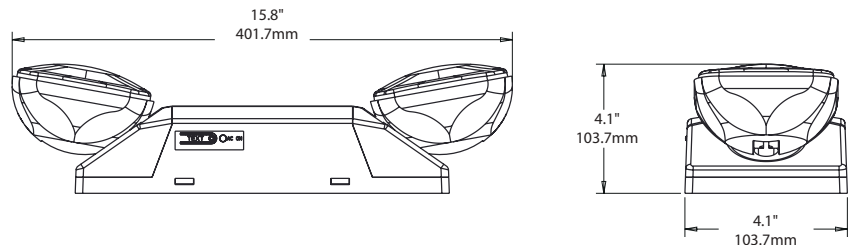
EL-7006-RC*

Twin Spot LED Emergency Light with 6V5Ah Battery (Remote Capable)



FEATURES	
LED Type	SMD LED
Battery Type	Lead-acid
Working Time	90 minutes
Charging Time	15-24 Hours

Technical Drawing



Model No	Power (W)	Lamp Type	Input Voltage	Frequency	Discharge	Output Voltage
EL-7006-RC	4W	2x2W LED	120/347VAC	60Hz	90 minutes	6VDC

DESCRIPTION

- Injection-molded thermoplastic ABS housing
- UL-94V-0 flame rating, fire-retardant
- Wall mounting
- Switchable input voltage 120/347VAC with a line cord or AC plug
- 2x2W lamps for emergency mode
- Sealed Lead-acid battery 6V 5Ah
- Test switch and charge indicator light
- Overcharge & Over-discharge protection
- Backup time: ≥90 minutes
- Conversion time: <0.2 second
- IP Class: IP20
- Insulation: II, Range: 80m2
- Operating Temperature: 0 °C ~ 40 °C

Remote add-on support.



EL-7030A

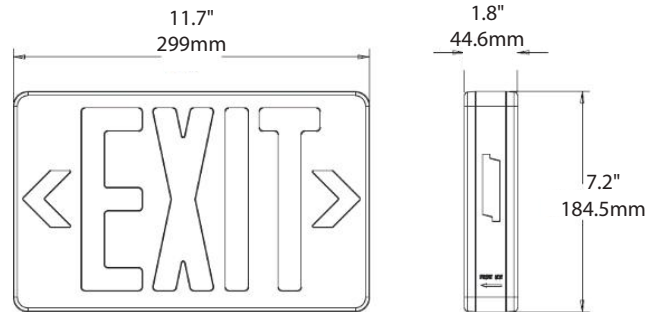


EL-7030B

*Available without Remote Capability (EL-7006) 



Technical Drawing



FEATURES	
LED Type	Straw LED
Battery Type	Ni-cd
Working Time	90 minutes
Charging Time	15-24 Hours

Model No	Power (W)	Lamp Type	Input Voltage	Frequency	Discharge
EL-7007RX	2W	Straw LED	120/277VAC	60Hz	90 minutes

DESCRIPTION

- Injection-molded thermoplastic ABS housing
- UL-94V-0 flame rating, fire-retardant
- Wall, side and ceiling mounting
- Input Voltage: 120/277VAC 60Hz
- Super bright SMD LED
- Nickel Cadmium Battery
- Test switch and charge indicator light
- Overcharge & Over-discharge protection
- Backup time: ≥90 minutes
- Conversion time: <0.2 second
- IP Class: IP20
- Operating Temperature: 0 °C ~ 40 °C



*Available in Spanish EL-7007RS

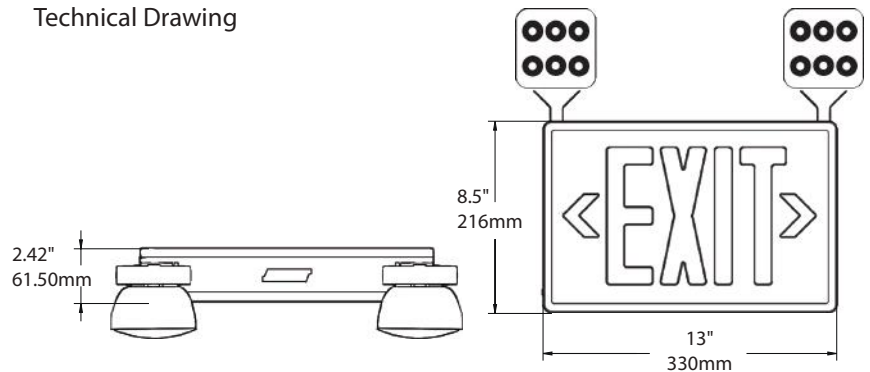
EL-7027AR

LED Emergency Exit Sign with Adjustable Twin Spot LED Lights



Technical Drawing

FEATURES	
LED Type	SMD LED
Battery Type	Ni-cd
Working Time	90 minutes
Charging Time	15-24 Hours



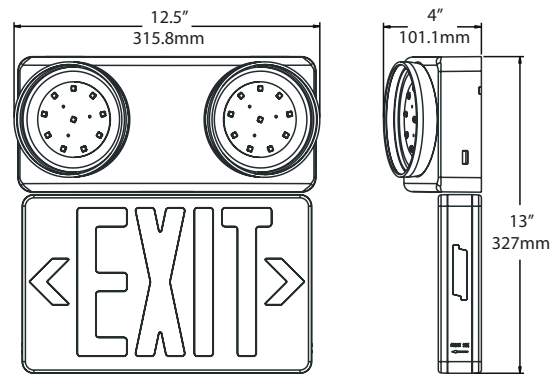
Model No	Power (W)	Lamp Type	Input Voltage	Frequency	Discharge
EL-7027AR	3W	2x1W LED	120/277VAC	60Hz	90 minutes

DESCRIPTION

- Injection-molded thermoplastic ABS housing
- UL-94V-0 flame rating, fire-retardant
- Wall and ceiling mounting
- Input Voltage: 120/277VAC 60Hz
- 2x1W lamps for emergency mode
- Nickel Cadmium Battery
- Test switch and charge indicator light
- Overcharge & Over-discharge protection
- Backup time: ≥ 90 minutes
- Conversion time: < 0.2 second
- IP Class: IP20
- Insulation: II, Range: 80m2
- Operating Temperature: 0 °C ~ 40 °C



Technical Drawing



FEATURES	
LED Type	SMD LED
Battery Type	Ni-cd
Working Time	90 minutes
Charging Time	15-24 Hours

Model No	Power (W)	Lamp Type	Input Voltage	Frequency	Discharge
EL-7011R	6W	2x2W LED	120/277VAC	60Hz	90 minutes

DESCRIPTION

- Injection-molded thermoplastic ABS housing
- UL-94V-0 flame rating, fire-retardant
- Wall and ceiling mounting
- Input Voltage: 120/277VAC 60Hz
- 2x2W lamps for emergency mode
- Nickel Cadmium Battery
- Test switch and charge indicator light
- Overcharge & Over-discharge protection
- Backup time: ≥90 minutes
- Conversion time: <0.2 second
- IP Class: IP20
- Insulation: II, Range: 80m2
- Operating Temperature: 0 °C ~ 40 °C



*Available in Spanish EL-7011RS

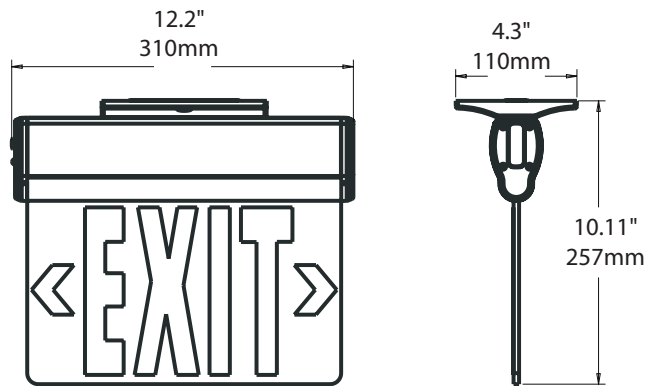
EL-7008R

Edge-Lit LED Emergency Exit Sign



Technical Drawing

FEATURES	
LED Type	SMD LED
Battery Type	Ni-cd
Working Time	90 minutes
Charging Time	15-24 Hours



Model No	Power (W)	Lamp Type	Input Voltage	Frequency	Discharge
EL-7008R	3W	SMD LED	120/277VAC	60Hz	90 minutes

DESCRIPTION

- Injection-molded thermoplastic ABS housing
- UL-94V-0 flame rating, fire-retardant
- Wall and ceiling mounting
- Input Voltage: 120/277VAC 60Hz
- Super bright LED
- Nickel Cadmium Battery
- Test switch and charge indicator light
- Overcharge & Over-discharge protection
- Backup time: ≥ 90 minutes
- Conversion time: < 0.2 second
- IP Class: IP20
- Operating Temperature: $0^{\circ}\text{C} \sim 40^{\circ}\text{C}$

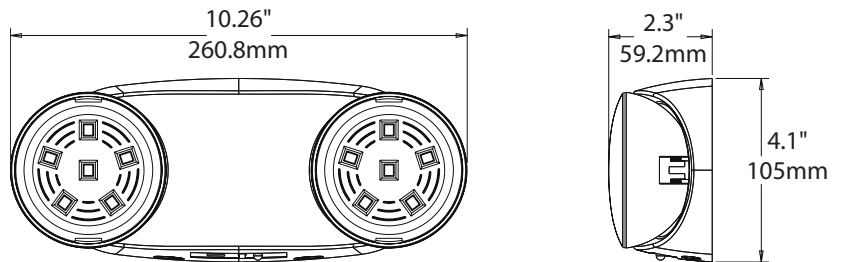
EL-7012

Twin Spot LED Emergency Light (3W)



FEATURES	
LED Type	SMD LED
Battery Type	Ni-cd
Working Time	90 minutes
Charging Time	15-24 Hours

Technical Drawing



Model No	Power (W)	Lamp Type	Input Voltage	Frequency	Discharge
EL-7012	3W	2x1.2W LED	120/277VAC	60Hz	90 minutes

DESCRIPTION

- Injection-molded thermoplastic ABS housing
- UL-94V-0 flame rating, fire-retardant
- Wall and ceiling mounting
- Input Voltage: 120/277VAC 60Hz
- 2x1.2W lamps for emergency mode
- Nickel Cadmium Battery
- Test switch and charge indicator light
- Overcharge & Over-discharge protection
- Backup time: ≥ 90 minutes
- Conversion time: < 0.2 second
- IP Class: IP20
- Insulation: II, Range: 80m2
- Operating Temperature: 0 °C ~ 40 °C

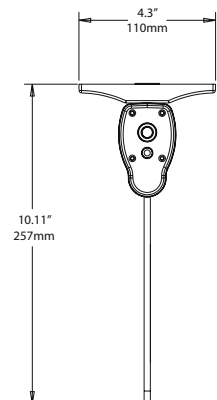
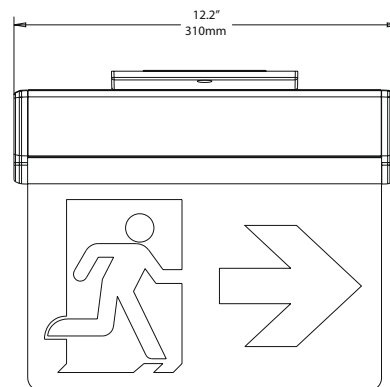
EL-7008M

Edge-Lit LED Running Man Sign



Technical Drawing

FEATURES	
LED Type	SMD LED
Battery Type	Ni-cd
Working Time	90 minutes
Charging Time	15-24 Hours



Model No	Power (W)	Lamp Type	Input Voltage	Frequency	Discharge
EL-7008M	2W	SMD LED	120/347VAC	60Hz	90 minutes

DESCRIPTION

- Injection-molded thermoplastic ABS housing
- UL-94V-0 flame rating, fire-retardant
- Wall and ceiling mounting
- Input Voltage: 120/347VAC 60Hz
- Super bright LED
- Nickel Cadmium Battery
- Test switch and charge indicator light
- Overcharge & Over-discharge protection
- Backup time: ≥ 90 minutes
- Conversion time: < 0.2 second
- IP Class: IP20
- Operating Temperature: $0^{\circ}\text{C} \sim 40^{\circ}\text{C}$

Included Pictograms



Arrow Right 2pcs



Without Arrow 1pcs

Order Information

Product	Description
ELRM-100	LED RUNNING MAN SIGN
ELRM-180-2RC	LED RUNNING MAN SIGN WITH 2X LED REMOTES BUILT-IN (REMOTE CAPABLE)
EL-7030A	SINGLE LED REMOTE HEAD (UNIVERSAL VOLTAGE)
EL-7030B	DOUBLE LED REMOTE HEAD (UNIVERSAL VOLTAGE)
EL-7006-RC	TWIN SPOT LED EMERGENCY LIGHT (REMOTE CAPABLE)
EL-7007RX	LED EMERGENCY EXIT SIGN
EL-7007RS	LED EMERGENCY EXIT SIGN (SALIDA)
EL-7027AR	LED EMERGENCY EXIT SIGN WITH ADJUSTABLE TWIN SPOT LED LIGHTS
EL-7011R	LED EMERGENCY EXIT SIGN WITH TWIN SPOT LED LIGHTS
EL-7011RS	LED EMERGENCY EXIT SIGN WITH TWIN SPOT LED LIGHTS (SALIDA)
EL-7008R	EDGE-LIT LED EMERGENCY EXIT SIGN
EL-7012	TWIN SPOT LED EMERGENCY LIGHT (3W)
EL-7008M	EDGE-LIT LED RUNNING MAN SIGN



About the Mircom®

Founded in 1991, Mircom is a global designer, manufacturer and distributor of Intelligent Building Solutions. Reaching customers in over 100 countries worldwide, Mircom's portfolio includes: fire detection & alarm, communications & security, mass notification, nurse call, and building automation & smart technologies. Mircom's vision is to make buildings worldwide safer, smarter, and more livable.

Our global network of dedicated Sales and Service Offices, known as Mircom Engineered Systems, allows us to be a full solution provider. Through Mircom ES, we're able to provide and fully service our line-up of innovative and advanced solutions which are scalable to satisfy diverse user demands, from small & mid-size buildings to the world's most complex applications.

CORPORATE/CANADA

Tel: 888.660.4655

Fax: 888.660.4113

USA

Tel: 888.660.4655

Fax: 888.660.4113

INTERNATIONAL

Tel: 905.660.4655

Fax: 905.660.4113

mircom.com

The contents of this document may be changed by Mircom Technologies Ltd. without notice. Mircom makes no representations or warranties about the completeness or accuracy of these contents and expressly disclaims liability howsoever arising therefrom. These contents, including all referenced trade names, logos, graphics, marks and copy right information, registered or unregistered, are the exclusive property of Mircom and shall not, without its prior consent, be used, reproduced, stored or transmitted by any means. Purchase of Mircom products is subject to standard warranties, software license agreement and terms and conditions, available on request.

© 2018 All rights reserved. Exclusive property of Mircom Technologies Ltd.



MIR-BR -170048
REV 2 10/18