

## Product Highlights

### Ready to Deploy

Cost-effective, pre-configured M2M solution provides complete connectivity out of the box

### Blazing Fast 4G LTE

Reliable LTE connectivity with speeds of up to 150 Mbps<sup>1</sup>

### Robust Design

Industrial grade enclosure and standard interfaces provide modular connectivity in any environment

## DWM-311

# 4G LTE M2M Modem

## Features

### Connectivity

- Blazing fast Cat 4 LTE speeds up to 150 Mbps<sup>1</sup>
- Ethernet and USB 2.0 ports for broad compatibility

### Simplicity

- Plug-and-Play with Ethernet interface
- Embedded SIM with pre-loaded Verizon Wireless carrier profile for configuration-free installation
- Easy-to-use web interface for advanced cases

### Rugged and Flexible

- Zinc-plated steel case for durability
- Wide operating temperature and humidity tolerance
- Wall-mounts allow optimal placement



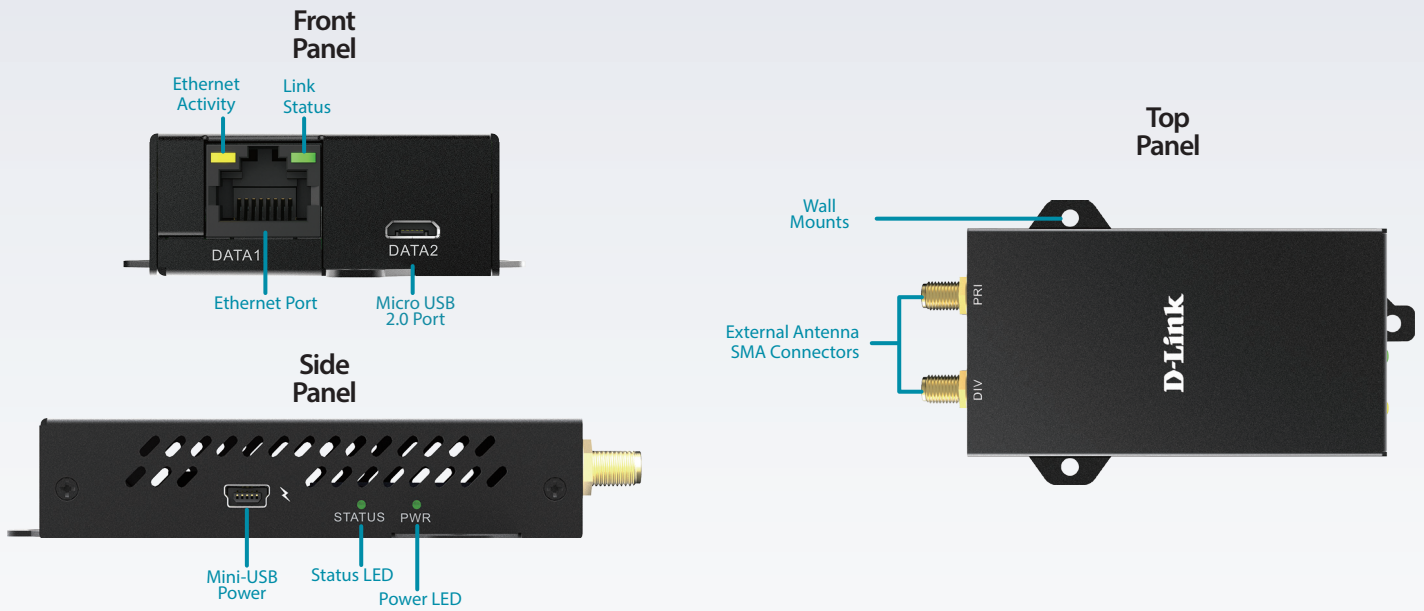
D-Link's DWM-311 4G LTE M2M Modem is a robust 4G LTE modem that provides blazing fast connection speeds for embedded Machine-to-Machine (M2M) applications. The single mode LTE modem provides an economical and reliable high speed connection suitable for the most demanding Internet of Things (IoT) applications. This cost-effective device is pre-configured to provide a complete connectivity solution out of the box.

## Robust

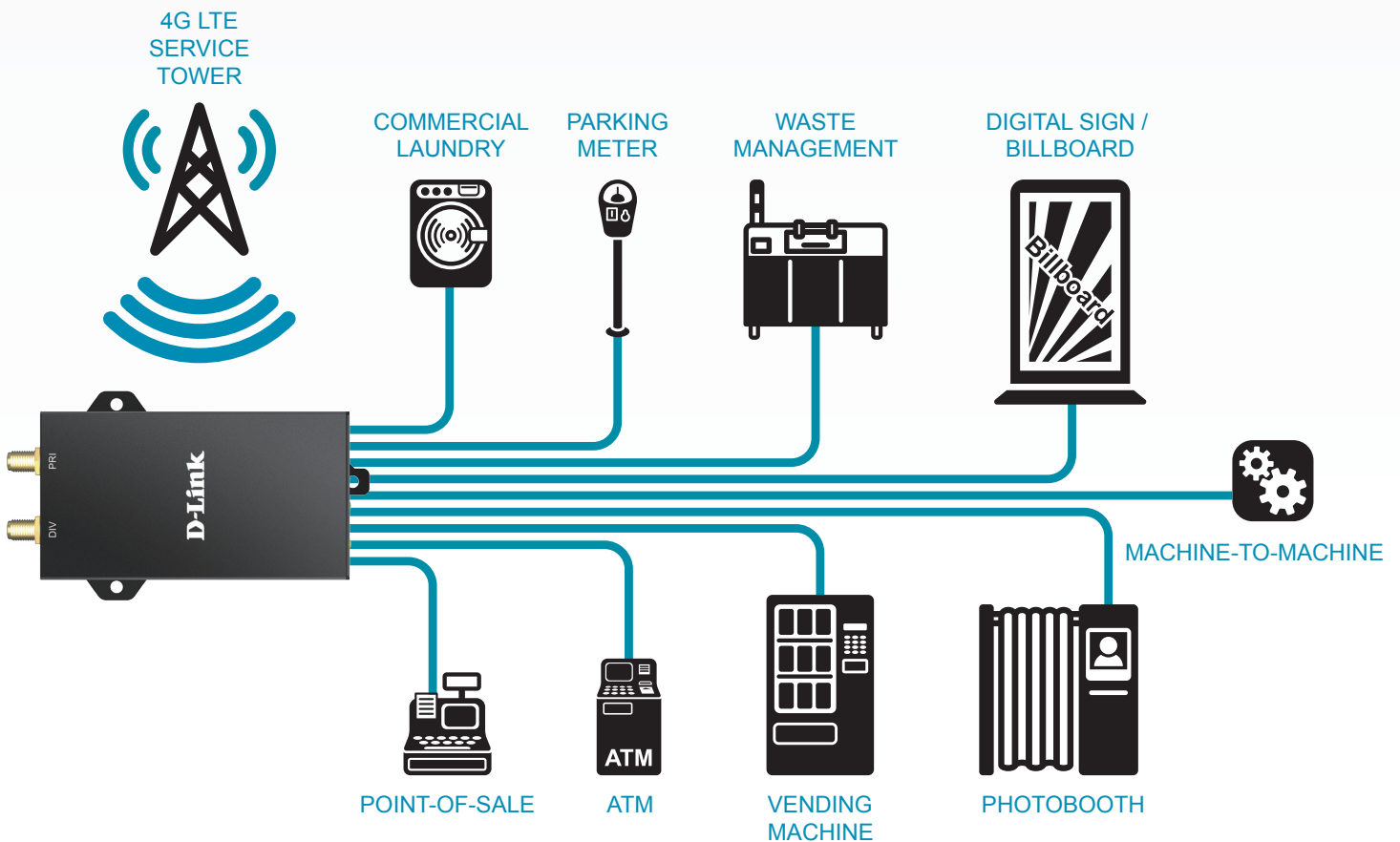
The industrial grade casing means the DWM-311 provides reliable high-speed connectivity in extreme conditions. The corrosion-resistant zinc-plated steel case and wide operating temperature and humidity tolerance mean that the DWM-311 is ready for the most demanding M2M applications in virtually any environment. Wall mounts and flexible interfaces allow the DWM-311 to be mounted virtually anywhere for optimal connectivity.

## Flexible

The DWM-311's USB and Ethernet interfaces allow connectivity to be added to virtually any device. Ethernet means driverless, instant access for any Ethernet-enabled device, without the need for pre-configuration or special software. Standard USB protocols allow you to add high-speed Internet access to devices not traditionally equipped with network adapters. Ethernet makes the DWM-311 a true plug-and-play solution, suitable for mass deployment or small scale use. Should unique settings be required, the easy-to-use web interface can be configured through any web browser.



## Sample Applications



# DWM-311 4G LTE M2M Modem

## Technical Specifications

### General

Mobile Network Support <sup>2</sup>	<ul style="list-style-type: none"><li>• LTE Cat 4 Release 9</li></ul>	<ul style="list-style-type: none"><li>• Bands 2/4/13</li></ul>
Data Throughput <sup>1</sup>	<ul style="list-style-type: none"><li>• LTE Uplink: Up to 50 Mbps</li></ul>	<ul style="list-style-type: none"><li>• LTE Downlink: Up to 150 Mbps</li></ul>
Device Interfaces	<ul style="list-style-type: none"><li>• 1 x 10/100 Fast Ethernet LAN port</li><li>• 1 x Micro-USB 2.0 port</li></ul>	<ul style="list-style-type: none"><li>• 1 x Mini-USB port (power)</li><li>• 2 x SMA (antenna connectors)</li></ul>
Standards	<ul style="list-style-type: none"><li>• IEEE 802.3i</li></ul>	<ul style="list-style-type: none"><li>• IEEE 802.3u</li></ul>
Advanced Features	<ul style="list-style-type: none"><li>• Driverless USB 2.0 interface:<ul style="list-style-type: none"><li>• CDC-ECM/ACM</li><li>• RNDIS</li></ul></li></ul>	<ul style="list-style-type: none"><li>• Firmware over the air (FOTA) upgrades</li><li>• Web-based UI</li></ul>

### Physical

LED Status Indicators	<ul style="list-style-type: none"><li>• Status</li><li>• Power</li></ul>	<ul style="list-style-type: none"><li>• Ethernet connection</li><li>• Ethernet activity</li></ul>
Power	<ul style="list-style-type: none"><li>• Input: DC 5 V / 1 A via Mini-USB port</li></ul>	
Enclosure	<ul style="list-style-type: none"><li>• Corrosion-resistant zinc-plated steel</li></ul>	
Dimensions	<ul style="list-style-type: none"><li>• 107 x 48 x 19 mm (4.22 x 1.89 x 0.77 in)</li></ul>	
Weight	<ul style="list-style-type: none"><li>• 145 g (5.12 oz)</li></ul>	
Temperature	<ul style="list-style-type: none"><li>• Operating: -20 to 60 °C (-4 to 140 °F)</li></ul>	<ul style="list-style-type: none"><li>• Storage : -40 to 85 °C (-40 to 185 °F)</li></ul>
Humidity	<ul style="list-style-type: none"><li>• Operating: 5% to 85% non-condensing</li></ul>	<ul style="list-style-type: none"><li>• Storage: 0% to 95% non-condensing</li></ul>
Certifications	<ul style="list-style-type: none"><li>• FCC</li><li>• Verizon Wireless Private Network</li></ul>	<ul style="list-style-type: none"><li>• Verizon Wireless Open development</li></ul>

### Order Information

<i>Part Number</i>	<i>Description</i>
DWM-311	4G LTE M2M Modem
DPE-301GI	1-Port Gigabit PoE Injector
DPS-301GS	1-Port Gigabit 30W PoE Splitter

<sup>1</sup> Data rates are theoretical. Data transfer rate depends on network capacity and signal strength.

<sup>2</sup> This model for use with Verizon Wireless in the US only.

Updated 2016/11/23