

StackLight™ 200 Class 70mm



Edwards 200 Class 70mm StackLight is a versatile signaling device that may contain up to five light modules, or four light modules with one sounder module in a single, integrated stack. The sounder module has been designed so that it is always in the top position.

The lens modules are available with LED, Incandescent or Xenon Strobe light sources. Options for steady-on, flashing or multi-mode are available. The lenses are made from a self-extinguishing polycarbonate material and are scratch and impact resistant.

Features and Specifications

- LED, Incandescent and Xenon Strobe light source
- Steady-on, flashing or multi-mode (flashing or steady-on)
- Interlocking system for quick assembly
- Available in gray or black
- Two optional NEMA Type 3R, IP54 rated sounders available:
 - Piezoelectric: 6 user selectable tones
 - Magnetodynamic: 32 user selectable tones
- Threaded footing must be ordered separately (not included with 270BC*)
- Additional mounting options available
- NEMA Type 4X rated
- IP66 rated base and light modules
- Operating temperature range: -22F° to 140°F (-30°C to 60°C)



Ordering Information

Description	Cat. No.*	Operating Temp.
Wiring Base and Cover - Gray	270BC ¹	-22°F to 140°F (-30°C to 60°C)

Module Type	Cat. No.*	Operating Voltage ²	Current	Lens/LED Color	Operating Temp.
Gray Integrated LED Steady-on	270LEDSA24AD	24V AC	0.085 A	Amber	-22°F to 122°F (-30°C to 50°C)
		24V DC	0.065 A		
	270LEDSR24AD	24V AC	0.085 A	Red	-22°F to 122°F (-30°C to 50°C)
		24V DC	0.065 A		
	270LEDSY24AD	24V AC	0.085 A	Yellow	-22°F to 122°F (-30°C to 50°C)
		24V DC	0.065 A		
	270LEDSB24AD	24V AC	0.075 A	Blue	-22°F to 122°F (-30°C to 50°C)
		24V DC	0.065 A		
	270LEDSG24AD	24V AC	0.075 A	Green	-22°F to 122°F (-30°C to 50°C)
		24V DC	0.065 A		
	270LEDSW24AD	24V AC	0.075 A	Clear/White	-22°F to 122°F (-30°C to 50°C)
		24V DC	0.065 A		
	270LEDSA120A	120V AC	0.035 A	Amber	-22°F to 122°F (-30°C to 50°C)
		120V AC	0.035 A	Red	
	270LEDSY120A	120V AC	0.035 A	Yellow	-22°F to 122°F (-30°C to 50°C)
		120V AC	0.035 A	Blue	
	270LEDSB120A	120V AC	0.035 A	Blue	-22°F to 122°F (-30°C to 50°C)
		120V AC	0.035 A	Green	
	270LEDSG120A	120V AC	0.035 A	Green	-22°F to 122°F (-30°C to 50°C)
		120V AC	0.035 A	Clear/White	
270LEDSA240A	240V AC	0.035 A	Amber	-22°F to 122°F (-30°C to 50°C)	
	240V AC	0.035 A	Red		
270LEDSY240A	240V AC	0.035 A	Yellow	-22°F to 122°F (-30°C to 50°C)	
	240V AC	0.035 A	Blue		
270LEDSB240A	240V AC	0.035 A	Blue	-22°F to 122°F (-30°C to 50°C)	
	240V AC	0.035 A	Green		
270LEDSG240A	240V AC	0.035 A	Green	-22°F to 122°F (-30°C to 50°C)	
	240V AC	0.035 A	Clear/White		

*NOTE: Add "B" to end of the catalog number for Black unit.

¹Threaded footing (270THF) is not included. Order separately.

²AC voltage frequency is 50/60 Hz



StackLight™ 200 Class 70mm



Ordering Information		Continued							
Module Type	Cat. No.*	Operating Voltage ¹	Current	Current (flash)			Lens/LED Color	Operating Temp.	Flash Rate
				Single	Double	Triple			
Gray Integrated LED Multi-mode	270LEDMA120A	120V AC	0.035 A	0.025 A	0.020 A	0.025 A	Amber	-22°F to 122°F (-30°C to 50°C)	Single - 75 fpm Double - 85 fpm Triple - 85 fpm
	270LEDMR120A	120V AC	0.035 A	0.025 A	0.020 A	0.025 A	Red		
	270LEDMY120A	120V AC	0.035 A	0.025 A	0.020 A	0.025 A	Yellow		
	270LEDMB120A	120V AC	0.035 A	0.025 A	0.020 A	0.020 A	Blue	-22°F to 122°F (-30°C to 50°C)	
	270LEDMG120A	120V AC	0.035 A	0.025 A	0.020 A	0.020 A	Green		
	270LEDMW120A	120V AC	0.035 A	0.025 A	0.020 A	0.020 A	Clear/White		
	270LEDMA240A	240V AC	0.035 A	0.025 A	0.020 A	0.025 A	Amber	-22°F to 122°F (-30°C to 50°C)	
	270LEDMR240A	240V AC	0.035 A	0.025 A	0.020 A	0.025 A	Red		
	270LEDMY240A	240V AC	0.035 A	0.025 A	0.020 A	0.025 A	Yellow		
	270LEDMB240A	240V AC	0.035 A	0.025 A	0.025 A	0.020 A	Blue	-22°F to 122°F (-30°C to 50°C)	
	270LEDMG240A	240V AC	0.035 A	0.025 A	0.025 A	0.020 A	Green		
	270LEDMW240A	240V AC	0.035 A	0.025 A	0.025 A	0.020 A	Clear/White		
	270LEDMA24AD	24V AC	0.085 A	0.060 A	0.050 A	0.050 A	Amber	-22°F to 122°F (-30°C to 50°C)	
		24V DC	0.065 A	0.040 A	0.040 A	0.040 A			
	270LEDMR24AD	24V AC	0.085 A	0.060 A	0.050 A	0.050 A	Red	-22°F to 122°F (-30°C to 50°C)	
		24V DC	0.065 A	0.040 A	0.040 A	0.040 A			
	270LEDMY24AD	24V AC	0.085 A	0.060 A	0.050 A	0.050 A	Yellow	-22°F to 122°F (-30°C to 50°C)	
		24V DC	0.065 A	0.040 A	0.040 A	0.040 A			
	270LEDMB24AD	24V AC	0.075 A	0.055 A	0.040 A	0.045 A	Blue	-22°F to 122°F (-30°C to 50°C)	
		24V DC	0.065 A	0.040 A	0.040 A	0.040 A			
	270LEDMG24AD	24V AC	0.075 A	0.055 A	0.040 A	0.045 A	Green	-22°F to 122°F (-30°C to 50°C)	
		24V DC	0.065 A	0.040 A	0.040 A	0.040 A			
	270LEDMW24AD	24V AC	0.075 A	0.055 A	0.040 A	0.045 A	Clear/White	-22°F to 122°F (-30°C to 50°C)	
		24V DC	0.065 A	0.040 A	0.040 A	0.040 A			

*NOTE: Add "B" to end of the catalog number for Black unit.

¹AC voltage frequency is 50/60 Hz

StackLight™
200 Class
70mm



VISUAL SIGNALS

Ordering Information		Continued			
Module Type	Cat. No.*	Operating Voltage ¹	Current	Lens/LED Color	Operating Temp.
Gray Steady-on LED or Incandescent Bulb (Sold separately)	270SB12240AD	12V AC/DC	0.430 A	Blue	-22°F to 140°F (-30°C to 60°C)
		24V AC/DC	0.210 A		
		48V AC/DC	0.100 A		
		110V AC	0.035 A		
		240V AC	0.022 A		
	270SA12240AD	12V AC/DC	0.430 A	Amber	-22°F to 140°F (-30°C to 60°C)
		24V AC/DC	0.210 A		
		48V AC/DC	0.100 A		
		110V AC	0.035 A		
		240V AC	0.022 A		
	270SR12240AD	12V AC/DC	0.430 A	Red	-22°F to 140°F (-30°C to 60°C)
		24V AC/DC	0.210 A		
		48V AC/DC	0.100 A		
		110V AC	0.035 A		
		240V AC	0.022 A		
	270SG12240AD	12V AC/DC	0.430 A	Green	-22°F to 140°F (-30°C to 60°C)
		24V AC/DC	0.210 A		
		48V AC/DC	0.100 A		
		110V AC	0.035 A		
		240V AC	0.022 A		
270SY12240AD	12V AC/DC	0.430 A	Yellow	-22°F to 140°F (-30°C to 60°C)	
	24V AC/DC	0.210 A			
	48V AC/DC	0.100 A			
	110V AC	0.035 A			
	240V AC	0.022 A			
270SW12240AD	12V AC/DC	0.430 A	Clear/White	-22°F to 140°F (-30°C to 60°C)	
	24V AC/DC	0.210 A			
	48V AC/DC	0.100 A			
	110V AC	0.035 A			
	240V AC	0.022 A			

***NOTE: Add "B" to end of the catalog number for Black unit.**

¹AC voltage frequency is 50/60 Hz

StackLight™ 200 Class 70mm



Ordering Information		Continued				
Module Type	Cat. No.*	Operating Voltage ¹	Current	Lens/LED Color	Operating Temp.	Flash Rate
Gray Flashing LED or Incandescent Bulb (Sold separately)	270FB24240A	24V AC	0.210 A	Blue	-22°F to 140°F (-30°C to 60°C)	110 fpm (+/-20)
		48V AC	0.103 A			
		110V AC	0.037 A			
	270FA24240A	240V AC	0.027 A	Amber	-22°F to 140°F (-30°C to 60°C)	110 fpm (+/-20)
		24V AC	0.210 A			
		48V AC	0.103 A			
		110V AC	0.037 A			
	270FR24240A	240V AC	0.027 A	Red	-22°F to 140°F (-30°C to 60°C)	110 fpm (+/-20)
		24V AC	0.210 A			
		48V AC	0.103 A			
		110V AC	0.037 A			
	270FG24240A	240V AC	0.027 A	Green	-22°F to 140°F (-30°C to 60°C)	110 fpm (+/-20)
		24V AC	0.210 A			
		48V AC	0.103 A			
		110V AC	0.037 A			
	270FY24240A	240V AC	0.027 A	Yellow	-22°F to 140°F (-30°C to 60°C)	110 fpm (+/-20)
		24V AC	0.210 A			
		48V AC	0.103 A			
		110V AC	0.037 A			
	270FW24240A	240V AC	0.027 A	Clear/White	-22°F to 140°F (-30°C to 60°C)	110 fpm (+/-20)
		24V AC	0.210 A			
		48V AC	0.103 A			
		110V AC	0.037 A			
	270FB1248D	12V DC	0.430 A	Blue	-22°F to 140°F (-30°C to 60°C)	110 fpm (+/-20)
		24V DC	0.210 A			
		48V DC	0.103 A			
	270FA1248D	12V DC	0.430 A	Amber	-22°F to 140°F (-30°C to 60°C)	110 fpm (+/-20)
		24V DC	0.210 A			
		48V DC	0.103 A			
	270FR1248D	12V DC	0.430 A	Red	-22°F to 140°F (-30°C to 60°C)	110 fpm (+/-20)
24V DC		0.210 A				
48V DC		0.103 A				
270FG1248D	12V DC	0.430 A	Green	-22°F to 140°F (-30°C to 60°C)	110 fpm (+/-20)	
	24V DC	0.210 A				
	48V DC	0.103 A				
270FY1248D	12V DC	0.430 A	Yellow	-22°F to 140°F (-30°C to 60°C)	110 fpm (+/-20)	
	24V DC	0.210 A				
	48V DC	0.103 A				
270FW1248D	12V DC	0.430 A	Clear/White	-22°F to 140°F (-30°C to 60°C)	110 fpm (+/-20)	
	24V DC	0.210 A				
	48V DC	0.103 A				

*NOTE: Add "B" to end of the catalog number for Black unit.

¹AC voltage frequency is 50/60 Hz

VISUAL SIGNALS 1

StackLight™ 200 Class 70mm



VISUAL SIGNALS

Ordering Information		Continued				
Module Type	Cat. No.*	Operating Voltage ¹	Current	Lens/LED Color	Operating Temp.	Flash Rate
Gray Xenon Strobe Modules	270STRB120A	120V AC	0.048 A	Blue	14°F to 109.4°F (-10°C to 43°C)	90 fpm (+/-20)
	270STRB240A	240V AC	0.055 A		90 fpm (+/-20)	
	270STRB24AD	24V AC/DC	0.280 A		14°F to 105.8°F (-10°C to 41°C)	65 fpm (+/-10)
	270STRA120A	120V AC	0.048 A	Amber	14°F to 109.4°F (-10°C to 43°C)	90 fpm (+/-20)
	270STRA240A	240V AC	0.055 A		90 fpm (+/-20)	
	270STRA24AD	24V AC/DC	0.280 A		14°F to 105.8°F (-10°C to 41°C)	65 fpm (+/-10)
	270STRR120A	120V AC	0.048 A	Red	14°F to 109.4°F (-10°C to 43°C)	90 fpm (+/-20)
	270STRR240A	240V AC	0.055 A		90 fpm (+/-20)	
	270STRR24AD	24V AC/DC	0.280 A		14°F to 105.8°F (-10°C to 41°C)	65 fpm (+/-10)
	270STRG120A	120V AC	0.048 A	Green	14°F to 109.4°F (-10°C to 43°C)	90 fpm (+/-20)
	270STRG240A	240V AC	0.055 A		90 fpm (+/-20)	
	270STRG24AD	24V AC/DC	0.280 A		14°F to 105.8°F (-10°C to 41°C)	65 fpm (+/-10)
	270STRY120A	120V AC	0.048 A	Yellow	14°F to 109.4°F (-10°C to 43°C)	90 fpm (+/-20)
	270STRY240A	240V AC	0.055 A		90 fpm (+/-20)	
	270STRY24AD	24V AC/DC	0.280 A		14°F to 105.8°F (-10°C to 41°C)	65 fpm (+/-10)
	270STRW120A	120V AC	0.048 A	Clear/White	14°F to 109.4°F (-10°C to 43°C)	90 fpm (+/-20)
	270STRW240A	240V AC	0.055 A		90 fpm (+/-20)	
	270STRW24AD	24V AC/DC	0.280 A		14°F to 105.8°F (-10°C to 41°C)	65 fpm (+/-10)
Gray Piezoelectric Acoustic (IP54)	270PZO1248AD	12V AC/DC	0.003 A		-22°F to 140°F (-30°C to 60°C)	
		24V AC/DC	0.006 A			
		48V AC/DC	0.013 A			
	270PZO120240A	120V AC	0.004 A		-22°F to 132.8°F (-30°C to 56°C)	
		240V AC	0.010 A			
Gray Magnetodynamic Acoustic (IP54)	270MDA1224AD		See chart on page 1-20		-22°F to 140°F (-30°C to 60°C)	
	270MDA120A				-22°F to 122°F (-30°C to 50°C)	
	270MDA240A					

*NOTE: Add "B" to end of the catalog number for Black unit.

¹AC voltage frequency is 50/60 Hz

StackLight™

200 Class

70mm

Bulbs			
Description	Cat. No.	Operating Voltage	LED Color
LED Bulb	270LEDB120V	120V AC	Blue
	270LEDA120V	120V AC	Amber
	270LEDR120V	120V AC	Red
	270LEDG120V	120V AC	Green
	270LEDW120V	120V AC	White
	270LEDB240V	230/240V AC	Blue
	270LEDA240V	230/240V AC	Amber
	270LEDR240V	230/240V AC	Red
	270LEDG240V	230/240V AC	Green
	270LEDW240V	230/240V AC	White
	270LEDB12V	12V AC/DC	Blue
	270LEDA12V	12V AC/DC	Amber
	270LEDR12V	12V AC/DC	Red
	270LEDG12V	12V AC/DC	Green
	270LEDW12V	12V AC/DC	White
	270LEDB24V	24V AC/DC	Blue
	270LEDA24V	24V AC/DC	Amber
	270LEDR24V	24V AC/DC	Red
	270LEDG24V	24V AC/DC	Green
	270LEDW24V	24V AC/DC	White
5W Incandescent Bulb	2705W120V	120V AC	
5W Incandescent Bulb-25 Pack	2705W120V25PK	120V AC	
5W Incandescent Bulb	2705W240V	240V AC	
5W Incandescent Bulb-25 Pack	2705W240V25PK	240V AC	
5W Incandescent Bulb	2705W12V	12V AC/DC	
5W Incandescent Bulb-25 Pack	2705W12V25PK	12V AC/DC	
5W Incandescent Bulb	2705W24V	24V AC/DC	
5W Incandescent Bulb-25 Pack	2705W24V25PK	24V AC/DC	
5W Incandescent Bulb	2705W48V	48V AC/DC	
5W Incandescent Bulb-25 Pack	2705W48V25PK	48V AC/DC	



VISUAL SIGNALS

70mm Piezoelectric (PZO) Acoustic Module Dip Switch Settings

Sound Type	Diagram	F (Hz) ¹	12V DC/V AC		24V DC/V AC		48V DC/V AC		120V AC		240V AC	
			A	dB at 1m	A	dB at 1m	A	dB at 1m	A	dB at 1m	A	dB at 1m
Continuous reduced output		50/60	0.003	75	0.006	81	0.013	83	0.004	75	0.010	81
Continuous maximum output		50/60	0.003	79	0.006	85	0.013	89	0.004	81	0.010	87
Slow intermittent reduced output		50/60	0.003	72	0.006	77	0.013	79	0.004	76	0.010	78
Slow intermittent maximum output		50/60	0.003	77	0.006	84	0.013	86	0.004	81	0.010	85
Fast intermittent reduced output		50/60	0.003	74	0.006	79	0.013	81	0.004	76	0.010	79
Fast intermittent maximum output		50/60	0.003	78	0.006	85	0.013	87	0.004	81	0.010	85

¹For AC voltages only

StackLight™

200 Class

70mm

VISUAL SIGNALS

70mm Magnetodynamic (MDA) Acoustic Module

Sound Type	F (Hz) ¹	12V DC		24V DC		12V AC		24V AC		120V AC		240V AC	
		A	dB	A	dB	A	dB	A	dB	A	dB	A	dB
Bi-tone	450/540	0.100	89	0.120	96	0.340	93	0.380	98	0.055	96	0.035	97
	600/700	0.125	90	0.150	97	0.380	93	0.450	99	0.065	97	0.035	98
	600/700	0.125	90	0.145	97	0.390	93	0.450	99	0.065	97	0.035	98
	800/970	0.170	93	0.190	100	0.485	95	0.550	101	0.075	99	0.040	100
	2400/2850	0.335	98	0.450	106	0.945	101	0.1060	107	0.0105	102	0.060	103
Bi-tone with pause	600/700	0.030	90	0.045	96	0.120	92	0.170	98	0.055	97	0.030	98
	1200/1700	0.045	95	0.060	99	0.170	98	0.230	101	0.060	99	0.035	100
	2400/2830	0.070	100	0.090	105	0.210	103	0.295	106	0.085	102	0.045	102
Fast bi-tone	800/970	0.170	93	0.190	100	0.485	95	0.555	101	0.075	99	0.040	100
Multi-tone	1000/1700	0.150	95	0.185	100	0.445	98	0.555	101	0.070	99	0.040	99
Multi-tone (buzzer)	800/970	0.110	93	0.140	97	0.370	96	0.440	99	0.060	97	0.035	98
	2400/2830	0.290	100	0.335	104	0.755	103	0.875	106	0.090	102	0.050	102
Slow multi-tone	800/970	0.110	95	0.140	99	0.350	98	0.440	101	0.060	99	0.035	100
	2400/2830	0.290	101	0.335	106	0.720	104	0.855	107	0.095	103	0.050	104
Fast multi-tone	800/970	0.110	93	0.140	98	0.350	96	0.435	99	0.060	97	0.035	98
	2400/2830	0.290	101	0.335	105	0.725	103	0.865	106	0.095	102	0.050	103
Intermittent multi-tone	500/1200	0.085	96	0.110	99	0.280	98	0.355	101	0.065	99	0.035	100
Descending multi-tone	1200/500	0.095	94	0.125	98	0.315	97	0.385	100	0.060	98	0.035	99
Evacuation	430/560	0.110	87	0.125	96	0.345	89	0.400	97	0.060	96	0.035	96
Intermittent	660	0.045	90	0.065	94	0.190	92	0.250	96	0.045	95	0.025	95
	660	0.045	91	0.070	95	0.190	93	0.240	97	0.055	96	0.030	96
	970	0.030	92	0.050	96	0.130	94	0.185	97	0.050	96	0.030	97
Fast intermittent	2830	0.200	97	0.240	102	0.600	100	0.705	103	0.080	99	0.045	99
	2850	0.170	96	0.205	101	0.550	99	0.585	102	0.075	99	0.040	99
Slow intermittent	660	0.050	91	0.070	95	0.175	93	0.240	97	0.055	96	0.030	96
	970	0.070	93	0.095	97	0.230	95	0.295	98	0.065	96	0.035	97
Linear	300	0.040	87	0.060	91	0.170	91	0.220	93	0.040	93	0.025	93
	500	0.065	90	0.090	94	0.235	94	0.290	96	0.050	95	0.030	96
	1000	0.125	92	0.160	97	0.385	94	0.485	98	0.065	96	0.035	97
	2830	0.320	98	0.360	102	0.770	100	0.915	104	0.095	99	0.055	100
Modulated	1000/1700	0.150	97	0.185	102	0.440	100	0.550	103	0.075	101	0.040	101
	1400/1600	0.165	95	0.205	100	0.470	98	0.595	102	0.075	99	0.040	99

¹For AC voltages only

StackLight™

200 Class

70mm

Accessories	
Description	Cat. No.
Junction Box - Gray	270JBX*
Footing with Extension - Gray	270KIT*
Threaded Extension Pole 100mm - Gray	270TEP*
Threaded Footing - Gray	270THF*
Threaded Wall Mount - Gray	270TWM*
Double Threaded Wall Mount - Gray	270TWM2*
270 Flexible Steel Extension Rod - 370mm	270FLXT
270 Stainless Steel Extension Rod - 100mm	270SSXT100
270 Stainless Steel Extension Rod - 200mm	270SSXT200
270 Stainless Steel Extension Rod - 400mm	270SSXT400

*NOTE: Add "B" to end of the catalog number for Black unit.



Junction Box



Threaded Footing



Footing with Extension



Threaded Extension Pole



100mm

200mm

400mm

370mm

Stainless Steel Extension Rod

Flexible Steel Extension Rod



Threaded Wall Mount



Double Threaded Wall Mount

StackLight™

200 Class

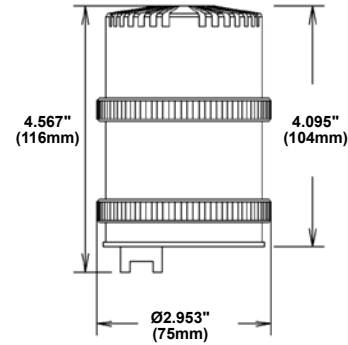
70mm

VISUAL SIGNALS

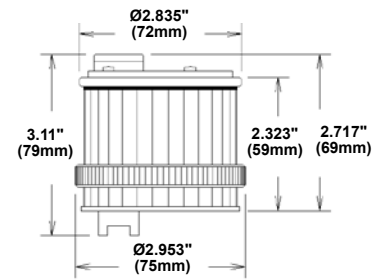
Weights and Dimensions

Cat. No.	Approx. Net Weight (lb.)	Approx. Shipping Weight (lb.)
270BC	0.27	0.83
270LEDS*24AD	0.24	0.81
270LEDS*120A	0.24	0.81
270LEDS*240A	0.24	0.81
270LEDM*120A	0.24	0.81
270LEDM*240A	0.24	0.81
270LEDM*24AD	0.24	0.81
270S*12240AD	0.20	0.76
270F*24240A	0.22	0.78
270F*1248D	0.22	0.78
270STR*120A	0.29	0.85
270STR*240A	0.29	0.85
270STR*24AD	0.29	0.85
270PZO1248AD	0.29	1.04
270PZO120240A	0.29	1.04
270MDA1224AD	0.53	1.28
270MDA120A	0.53	1.28
270MDA240A	0.02	0.09
270LED*120V	0.02	0.09
270LED*240V	0.02	0.09
270LED*12V	0.02	0.09
270LED*24V	0.02	0.09
2705W120V	0.01	0.09
2705W240V	0.01	0.09
2705W12V	0.01	0.09
2705W24V	0.01	0.09
2705W48V	0.01	0.09
270JBX	0.22	0.09
270KIT	0.13	1.10
270TEP	0.07	0.22
270THF	0.07	0.29
270TWM	0.09	0.60
270TWM2	0.11	0.62
270FLXT	0.57	1.30
270SSXT100	0.31	1.28
270SSXT200	0.40	1.30
270SSXT400	0.62	1.50

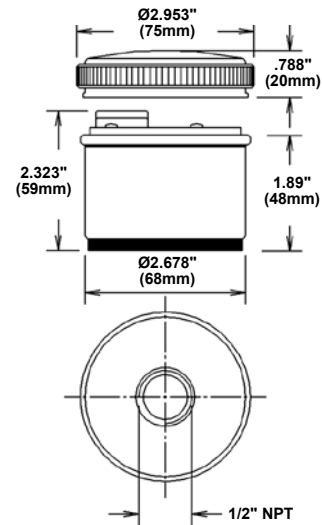
Acoustic Module



Light Module



Base and Cover



*Letter in this position designates lens color: A - amber, R - red, Y - yellow, B - blue, G - green, W - clear