



EVID-S12.1 subwoofer 12" cabinet

- High-excursion 12" woofer with dual voice coil to accommodate L & R channels
- 200 W power handling provides for 127 dB maximum SPL (133 dB Peak)
- Crossover input panel included



The EVID-S12.1 subwoofer, from Electro-Voice, is a compact, high-performance, 12" (305 mm) woofer loudspeaker with outstanding performance for the most demanding professional and commercial sound applications. Designed and engineered for use in background and foreground music, and sound reinforcement applications, the EVID-S12.1 is the ideal solution for indoor and outdoor applications, such as restaurants, bars, patios, retail, fitness clubs, hospitality, theme parks, leisure venues, and others. The 12.1 subwoofer's slot-loaded design allows for flexible mounting and placement while delivering the smoothest bass response possible.

The 12" high-excursion woofer, with its dual voice-coil design, enables both the left and right channels to feed into the speaker while providing crossed-over outputs for up to 4 satellite speakers at the same time. If desired, the EVID-S12.1 can be powered separately for an even more powerful presence. The EVID-S12.1 features reinforced steel-fastener construction that allows for a variety of mounting configurations. The EVID-S12.1 is available in black or white, and can easily be painted to match the decor. All mounting hardware is included.

The wide range of EVID surface mount speakers has been designed to work together as a complete system in a variety of different surface mount constructions, and to be used in combination with other EVID ceiling and in-wall speakers.

Technical specifications

Frequency response (-10 dB):	40 Hz – 140 Hz ¹
Sensitivity:	104 dB ²
Max. SPL (Calculated):	127 dB (133 dB Peak)
Power handling:	200 W (800 W Peak) Continuous Pink Noise (100 hours)
Low Z:	Yes
Nominal impedance:	8 Ω
LF transducer:	12 inch (305 mm)
Connectors:	Spring loaded
Color:	Black (RAL 9004) or white (RAL 9003)
Dimensions (H x W x D):	413 mm x 584 mm x 303 mm (16.3 in x 23.0 in x 11.9 in) ³
Net weight:	17.8 kg (39.2 lb) ³
Shipping weight (pair):	22.4 kg (49.4 lb)
Included hardware:	(1) Wall mounting hardware
Packaged quantity:	1

¹Eighth (1/8) space (corner mounting).

²Eighth (1/8) space (on corner) averaged 60 Hz – 100 Hz, 1 W.

³Without mounting hardware.

Architectural and engineering specifications:

The loudspeaker shall be a single-driver system, consisting of one 12" (305 mm) woofers, with a frequency-dividing network, installed in a vented, slot-loaded enclosure. The low-frequency transducer shall have dual voice-coils to allow for stereo (L/R) inputs. The network shall include crossed-over outputs for up to four satellite speakers.

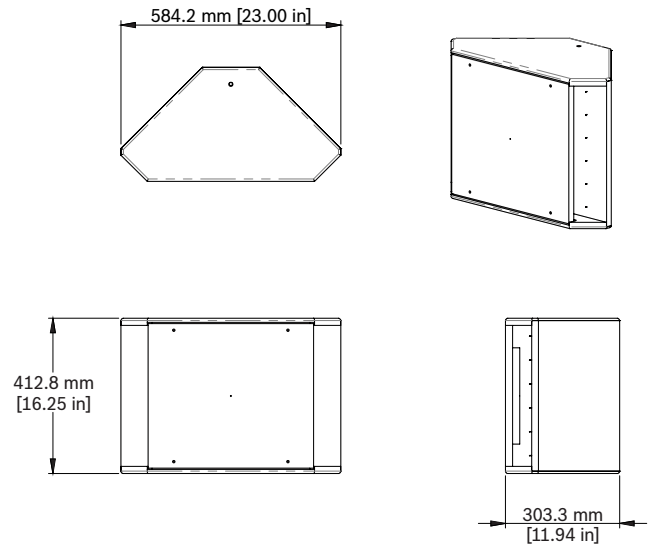
The loudspeaker system shall meet the following performance criteria: Power handling, 200 W of IEC 60268-5 continuous pink noise (6 dB crest factor); Frequency response, 40 Hz -140 Hz (-10 dB from rated sensitivity); Sensitivity, 104 dB at one watt, 60 Hz - 100 Hz at one meter; Impedance, 8 Ohm per Channel nominal.

The finish shall be paintable black (RAL 9004) or paintable white (RAL 9003). The grille shall be acoustically transparent foam. The support bracket shall be low profile and integral with the enclosure. The cabinet shall be designed for ceiling mounting with additional accessory materials. All standard mounting hardware shall be included for wall or corner placement.

The enclosure shall be MDF and constructed with both glue and steel fasteners. The loudspeaker shall weigh 17.8 kg (39.2 lb) and its dimensions shall be 413 mm (16.3 in) high, 584 mm (23.0 in) wide, and 303 mm (11.9 in) deep.

The surface mount loudspeaker shall be the EVID-S12.1 model from Electro-Voice.

Dimensions:



Ordering information

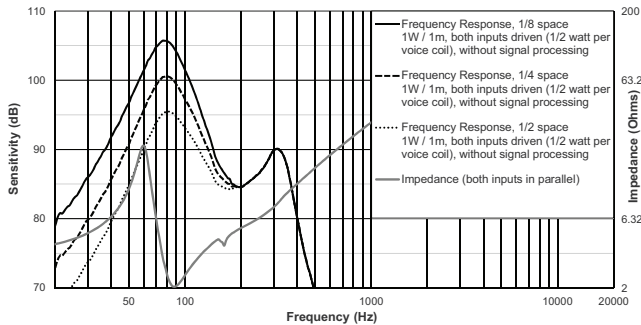
EVID-S12.1B Subwoofer 12" cabinet black

Dual voicecoil 12-inch surface mount subwoofer, black
Order number **EVID-S12.1B**

EVID-S12.1W Subwoofer 12" cabinet white

Dual voicecoil 12-inch surface mount subwoofer, white
Order number **EVID-S12.1W**

Frequency response and impedance:



Represented by:

Germany:
Bosch Sicherheitssysteme GmbH
Robert-Bosch-Ring 5
85630 Grasbrunn
Germany

Bosch Security Systems, Inc.
12000 Portland Avenue South
Burnsville MN 55337
USA

www.electrovoice.com