



► Model ASHH and ASUH

## Hazardous Location Amplified Speakers

Federal Signal Models ASHH and ASUH Hazardous Location Amplified Speakers are designed to produce crisp, clear tones in supervised alarm notification systems. Both speakers amplifiers are compatible with fire alarm, voice evacuation, suppression supervised control panels and power boosters.

These amplified speakers can broadcast tones generated by a Tone Card installed into the speaker (the plug-in 32-tone UTM) or by a central tone source in a voice evacuation or paging system. When live public address or voice messages are required, plug-in Connector Cards (AM25CK or AM70CK) interface with the audio output of the EVAC panel.

The speaker cone and projector are constructed of rugged spun aluminum. The solid-state amplifier circuit is protected in a die-cast aluminum housing. Dust and moisture-proof gaskets provide protection from the elements. All external surfaces are sealed with red powder coat paint.

### FEATURES

- 24VDC
- Four wire supervisable power circuit
- Reliable, solid-state circuitry
- Digital signal amplification
- Fused input and output
- Built-in gain control
- External mounting tabs
- Type 4X, IP66, IP69K enclosure
- UL Listed for Class I, Division 2, Groups A, B, C and D; Class II, Division 2, Groups F & G; and Class III
- CSFM Approved
- UL Fire Listed

MODEL	VOLTAGE	OPERATING CURRENT	STANDBY CURRENT	SPL PER UL 1480		SPL ON AXIS	
				10'	1M	10'	1M
<b>ASHH-024</b>	24VDC	0.7 amps	0.15 amps	95 dBa	105 dBa	108 dBa	118 dBa
<b>ASUH-024</b>	24VDC	1.3 amps	0.15 amps	100 dBa	110 dBa	112 dBa	122 dBa

#### HAZARDOUS LOCATION RATING: ASHH

T-CODE AT MAXIMUM AMBIENT TEMPERATURE, °C

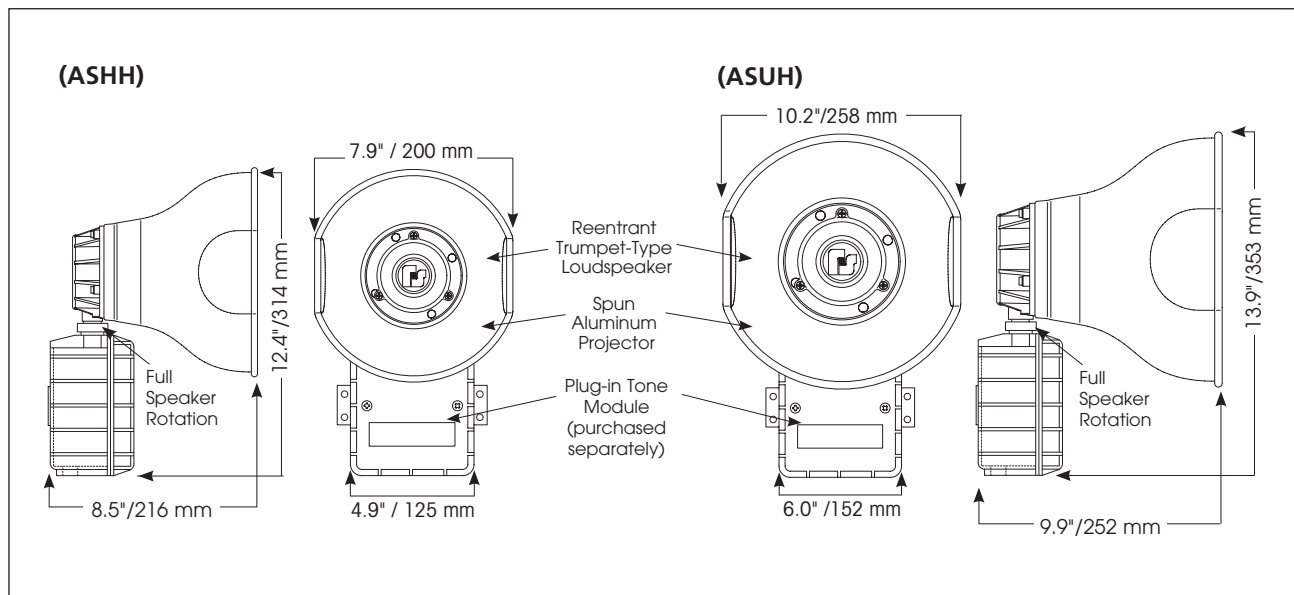
Hazardous Location	40°C	66°C
Class I, Division 2, Groups A, B, C, D	T2D	T2C
Class II, Division 2, Groups F, G	T6	T6
Class III	T6	T6

#### HAZARDOUS LOCATION RATING: ASUH

T-CODE AT MAXIMUM AMBIENT TEMPERATURE, °C

Hazardous Location	40°C	66°C
Class I, Division 2, Groups A, B, C, D	T3A	T3
Class II, Division 2, Groups F, G	T6	T6
Class III	T6	T6

## Audible Signaling Device (ASHH and ASUH)



### SPECIFICATIONS

#### ASHH

Operating Temperature:	-40°F to 150°F	-40°C to 66°C
Net Weight:	4.5 lbs	2.0 kg
Shipping Weight:	5.7 lbs	2.6 kg
Height:	12.4"	314.0 mm
Width:	7.9"	200.0 mm
Depth:	8.5"	216.0 mm

#### ASUH

Operating Temperature:	-40°F to 150°F	-40°C to 66°C
Net Weight:	6.1 lbs	2.8 kg
Shipping Weight:	7.5 lbs	3.4 kg
Height:	13.9"	353.0 mm
Width:	10.2"	258.0 mm
Depth:	9.9"	252.0 mm

### HOW TO ORDER

#### Specify Model:

**ASHH-024** – 0.7 amps, 108 dBa @ 10' (118 dBa @ 1 m)

**ASUH-024** – 1.3 amps, 112 dBa @ 10' (122 dBa @ 1 m)

### REPLACEMENT PARTS

#### Description

#### Part Number

##### ASHH

Voice Coil Series B	K8593035A
4 Position connector	K140340B

##### ASUH

Speaker Assembly, Red	K8593103A-01
4 Position connector	K140340B

### OPTIONAL ACCESSORIES

#### Description

#### Part Number

Universal Tone Module	UTM
-----------------------	-----

#### Specify Connector Kit for use in systems:

70 Vrms Connector Kit	AM70CK
25 Vrms Connector Kit	AM25CK