



► Model AM300GCX and AM302GCX

AudioMaster® Public Address Hazardous Location Speaker

Federal Signal Models AM300GCX and AM302GCX are rugged, transformer coupled, re-entrant speakers for use in public address or paging applications. These speakers feature rugged cones and projectors constructed of spun aluminum. The wiring connections are enclosed in a dust- and moisture-proof, die-cast aluminum compartment. All external surfaces are finished with a red or gray powder coat paint.

The unique shape of the speaker projectors provides an impressive 60° sound dispersion pattern. The projectors are held in position with a Teflon coated lock ring that can be rotated 180° in order to obtain the desired sound distribution.

The AM300GCX and the AM302GCX can be used supervised alarm notification systems or CTS series amplifiers and the AudioRouter™ to complete an industrial grade public address system.

FEATURES

- 15 watt (AM300GCX) or 30 watt (AM302GCX)
- 25 or 70 Vrms
- Transformer coupled
- Re-entrant horn design
- Wall mount
- 1/2-inch conduit openings
- Type 4X, IP66, IP69K enclosure
- UL Listed for Class I, Division 2, Groups A, B, C, D; Class II, Division 2, Groups F, G; Class III
- CSFM Approved
- UL Fire Listed

MODEL	POWER HANDLING	FREQUENCY RESPONSE	TRANSFORMER	POWER TAPS	BEAM WIDTH	SPL PER UL 1480	
						10'	1M
AM300GCX-*	15 watt	600-5000Hz	25/70 Vrms	15, 9, 3, 1.5	60°	110 dBa	120 dBa
AM302GCX-*	30 watt	400-4000Hz	25/70 Vrms	30, 15, 9	60°	114 dBa	124 dBa

* Indicates housing color: (-R) for Red housing, leave blank for Gray

HAZARDOUS LOCATION RATING: AM300GCX

T-CODE AT MAXIMUM AMBIENT TEMPERATURE, °C

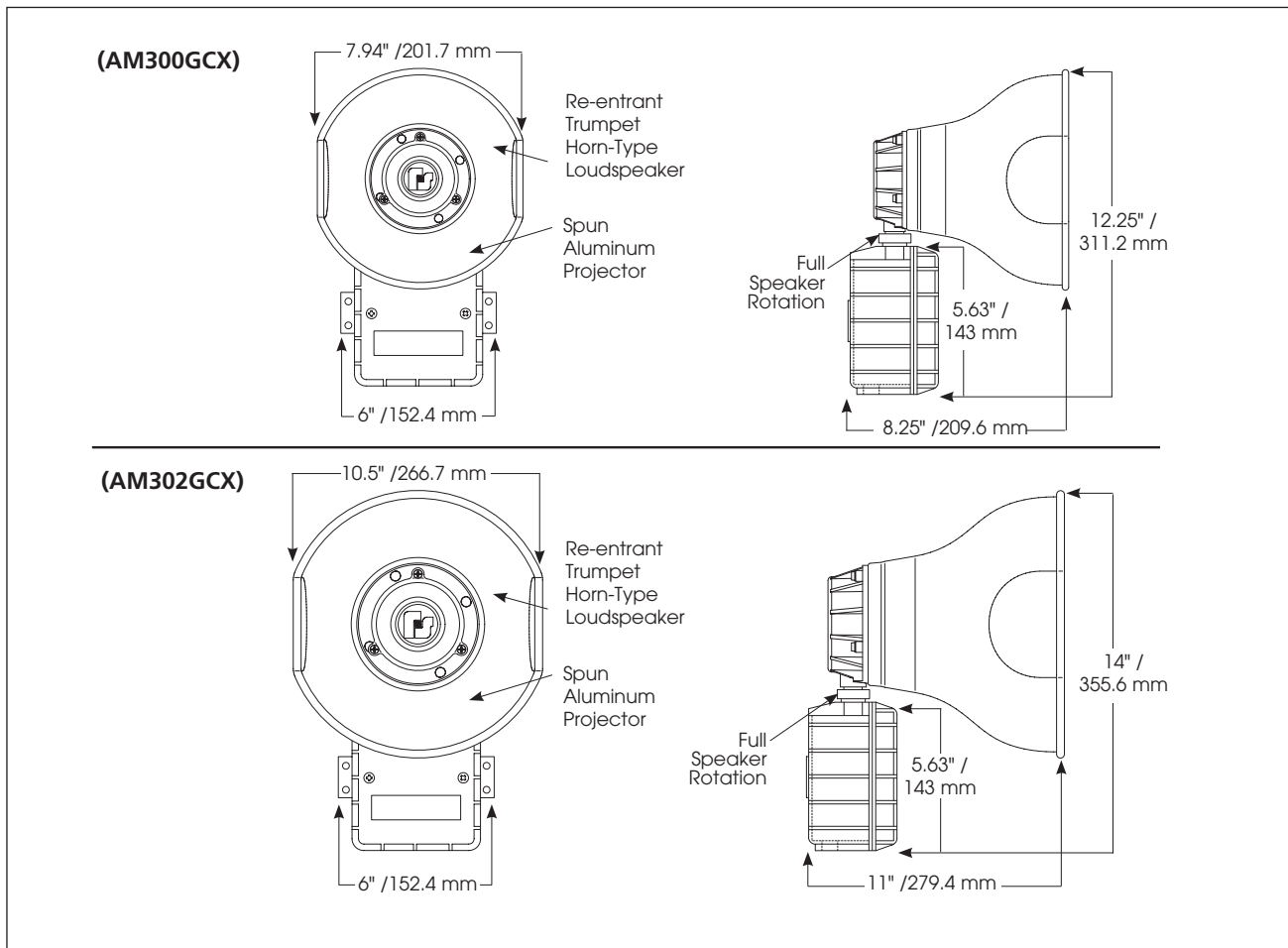
Hazardous Location	40°C	66°C
Class I, Division 2, Groups A, B, C, D	T6	T4A
Class II, Division 2, Groups F, G	T6	T6
Class III	T6	T6

HAZARDOUS LOCATION RATING: AM302GCX

T-CODE AT MAXIMUM AMBIENT TEMPERATURE, °C

Hazardous Location	40°C	66°C
Class I, Division 2, Groups A, B, C, D	T5	T4A
Class II, Division 2, Groups F, G	T6	T6
Class III	T6	T6

AudioMaster® Public Address Hazardous Location Speaker (AM300GCX and AM302GCX)



SPECIFICATIONS

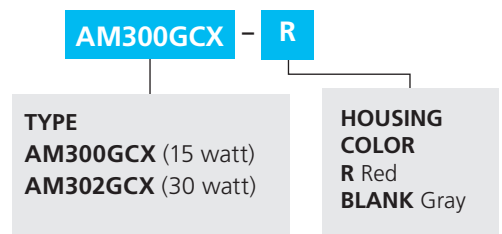
AM300GCX

Net Weight:	4.85 lbs	2.2 kg
Shipping Weight:	6.0 lbs	2.72 kg
Height:	12.25"	311.2 mm
Width:	7.94"	201.7 mm
Depth:	8.25"	209.6 mm

AM302GCX-R

Net Weight:	7.2 lbs	3.3 kg
Shipping Weight:	8.1 lbs	3.67 kg
Height:	14.0"	355.6 mm
Width:	10.5"	266.7 mm
Depth:	11.0"	279.4 mm

HOW TO ORDER



REPLACEMENT PARTS

Description	Part Number
15W Speaker Assembly, Gray for AM300GCX	K8593082A
15W Diaphragm, Voice Coil, Butterfly Assembly for AM300GCX	K8593035A
30W Speaker Assembly, Gray for AM302GCX	K8593103A
30W Diaphragm, Voice Coil, Butterfly Assembly for AM302GCX	K8590246A
Diaphragm Gasket for AM302GCX	K8590243A
Housing Gasket for AM300GCX/AM302GCX	K288A043