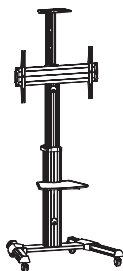


Owner's Manual

Mobile Flat-Panel Floor Stand

Model: DMCS3270XP



PROTECT YOUR INVESTMENT!

Register your product for quicker service and ultimate peace of mind.
You could also win an ISOBAR6ULTRA surge protector—a \$100 value!
www.tripplite.com/warranty



CAUTION: DO NOT EXCEED MAXIMUM LISTED WEIGHT CAPACITY. SERIOUS INJURY OR PROPERTY DAMAGE MAY OCCUR!



200 x 200 / 300 x 300
400 x 200 / 400 x 400
600 x 400



70"
MAX



150 lb.
(68)kg
MAX

Este manual esta disponible en español en la página de Tripp Lite: www.tripplite.com

Ce manuel est disponible en français sur le site Web de Tripp Lite : www.tripplite.com

Русскоязычная версия настоящего руководства представлена на веб-сайте компании Tripp Lite по адресу: www.tripplite.com

Dieses Handbuch ist in deutscher Sprache auf der Tripp Lite-Website verfügbar: www.tripplite.com

TRIPP·LITE



Manufacturing
Excellence.

1111 W. 35th Street, Chicago, IL 60609 USA • www.tripplite.com/support

Copyright © 2018 Tripp Lite. All rights reserved.

NOTE: Read the entire instruction manual before you start installation and assembly.



WARNING

- Do not begin the installation until you have read and understood the instructions and warnings contained in this manual. If you have any questions regarding any of the instructions or warnings, please visit www.triplite.com/support.
- This mounting bracket was designed to be installed and utilized **ONLY** as specified in this manual. Improper installation of this product may cause damage or serious injury.
- This product should only be installed by someone of good mechanical ability, with basic building experience and a full understanding of this instruction manual.
- Make sure that the mounting surface can safely support the combined load of the equipment and all attached hardware and components.
- If mounting to wood wall studs, make sure that mounting screws are anchored into the center of the studs. The use of a stud finder is highly recommended.
- Always use an assistant or mechanical lifting equipment to safely lift and position equipment.
- Tighten screws firmly, but do not over-tighten. Over-tightening screws can damage the items, greatly reducing their holding power.
- This product is intended for indoor use only. Using this product outdoors could lead to product failure and personal injury.

Warranty & Product Registration

5-Year Limited Warranty

Seller warrants this product, if used in accordance with all applicable instructions, to be free from original defects in material and workmanship for a period of 5 years from the date of initial purchase. If the product should prove defective in material or workmanship within that period, Seller will repair or replace the product, in its sole discretion.

THIS WARRANTY DOES NOT APPLY TO NORMAL WEAR OR TO DAMAGE RESULTING FROM ACCIDENT, MISUSE, ABUSE OR NEGLIGENCE. SELLER MAKES NO EXPRESS WARRANTIES OTHER THAN THE WARRANTY EXPRESSLY SET FORTH HEREIN. EXCEPT TO THE EXTENT PROHIBITED BY APPLICABLE LAW, ALL IMPLIED WARRANTIES, INCLUDING ALL WARRANTIES OF MERCHANTABILITY OR FITNESS, ARE LIMITED IN DURATION TO THE WARRANTY PERIOD SET FORTH ABOVE; AND THIS WARRANTY EXPRESSLY EXCLUDES ALL INCIDENTAL AND CONSEQUENTIAL DAMAGES. (Some states do not allow limitations on how long an implied warranty lasts, and some states do not allow the exclusion or limitation of incidental or consequential damages, so the above limitations or exclusions may not apply to you. This warranty gives you specific legal rights, and you may have other rights which vary from jurisdiction to jurisdiction).

WARNING: The individual user should take care to determine prior to use whether this device is suitable, adequate or safe for the use intended. Since individual applications are subject to great variation, the manufacturer makes no representation or warranty as to the suitability or fitness of these devices for any specific application.

PRODUCT REGISTRATION

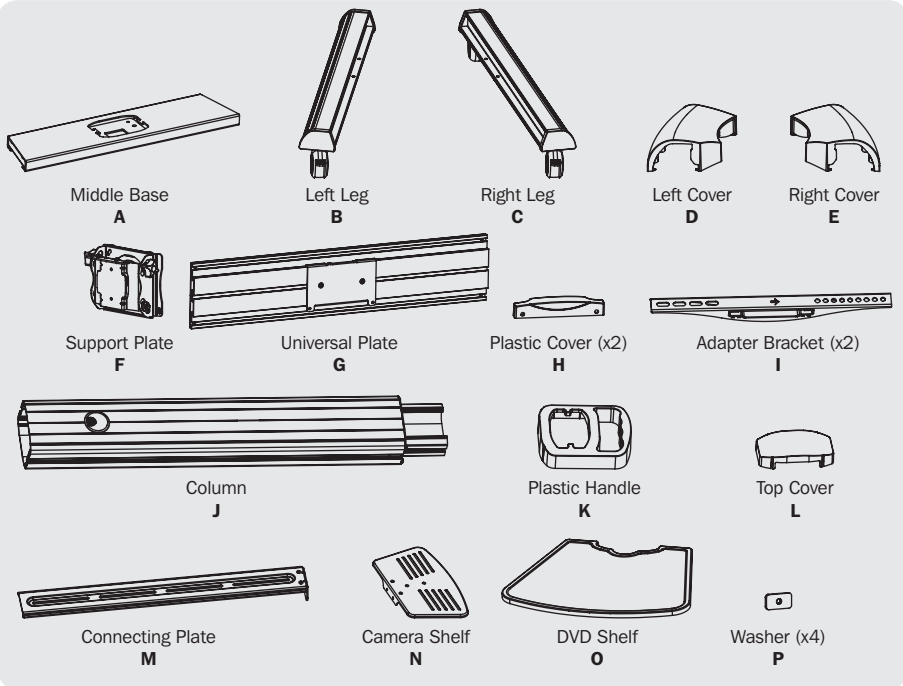
Visit www.triplite.com/warranty today to register your new Tripp Lite product. You'll be automatically entered into a drawing for a chance to win a FREE Tripp Lite product!*

* No purchase necessary. Void where prohibited. Some restrictions apply. See website for details.

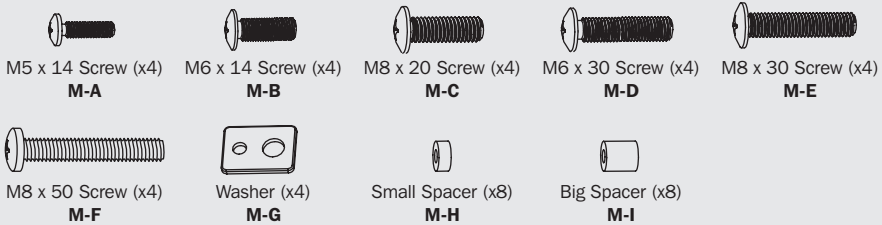
Tripp Lite has a policy of continuous improvement. Specifications are subject to change without notice.

Component Checklist

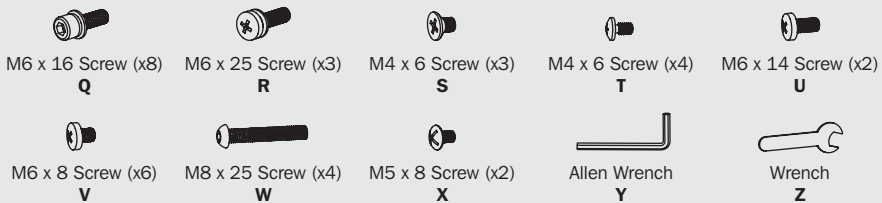
IMPORTANT: Ensure that you have received all parts according to the component checklist prior to installing. If any parts are missing or faulty, visit www.triplite.com/support for service.



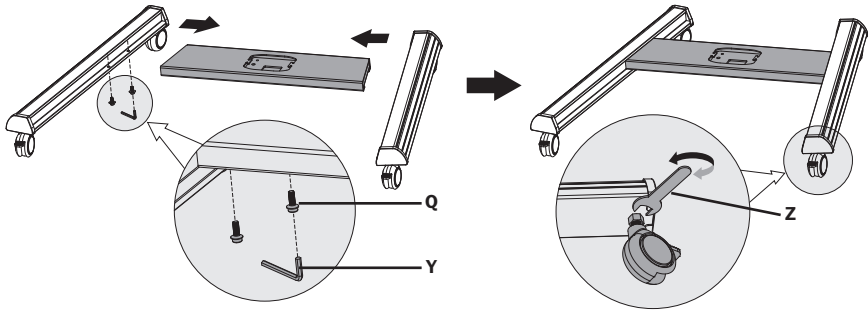
Package M



Package P



1. Assembling the Base

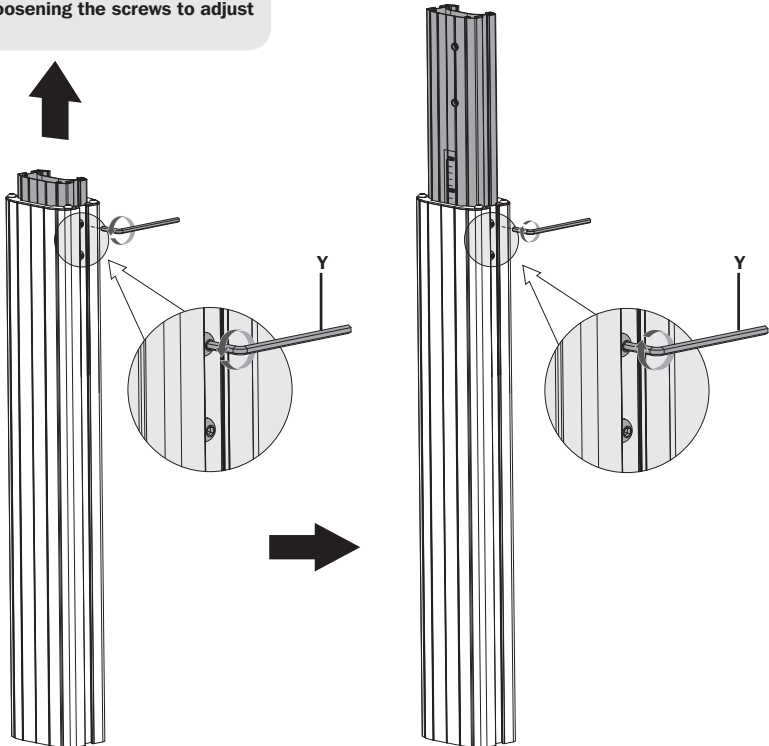


- 1) Insert Right Leg **C** into Middle Base **A**. Align the holes in the Right Leg to the holes in the Middle Base. Secure with Screws **Q** and Allen Wrench **Y**. Repeat this step for Left Leg **B**.
- 2) Each caster can be adjusted independently for fine tuning. Slightly turn the nut with Wrench **Z** to lower or raise Middle Base.

2. Attaching the Column to the Base



CAUTION: Hold the inner column when loosening the screws to adjust height.



Adjust inner Column **J** to the desired height, then tighten all screws.

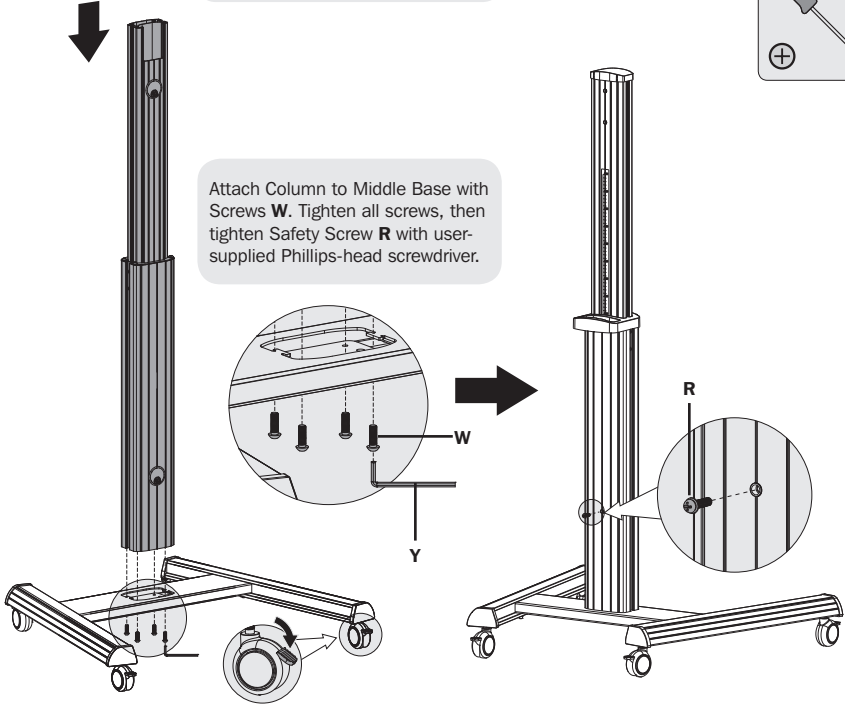
2. Attaching the Column to the Base

K → 

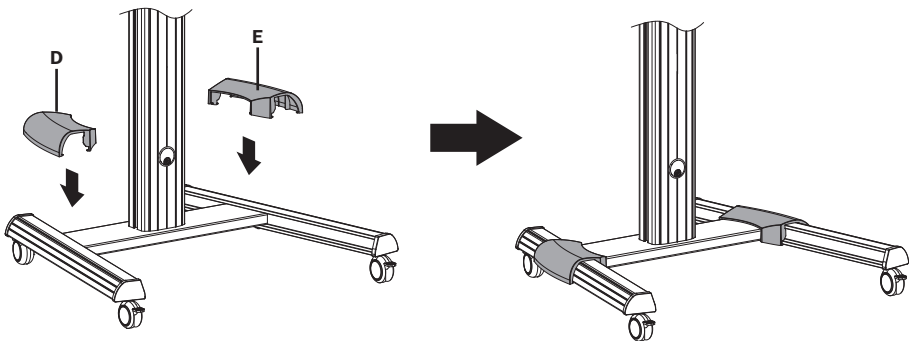
Place Plastic Handle **K** on Column.



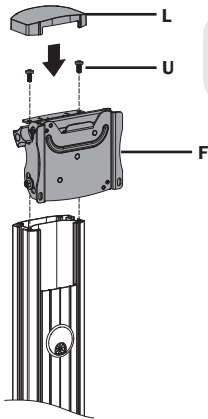
Attach Column to Middle Base with Screws **W**. Tighten all screws, then tighten Safety Screw **R** with user-supplied Phillips-head screwdriver.



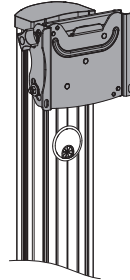
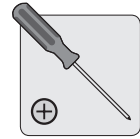
Attach Left Cover **D** and Right Cover **E** to Legs.



3. Installing the Support Plate

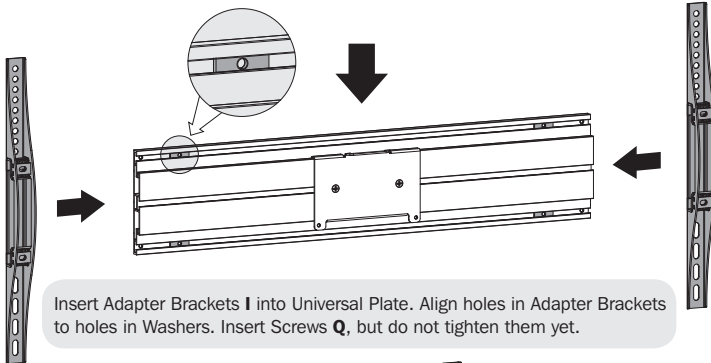
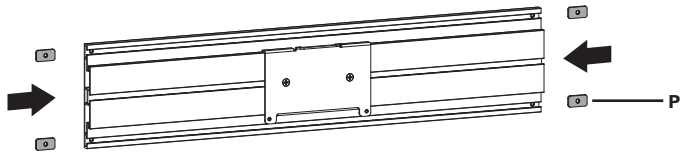


Attach Support Plate **F** to Column with Screws **U** and user-supplied Phillips-head screwdriver. Attach Top Cover **L** to Support Plate.

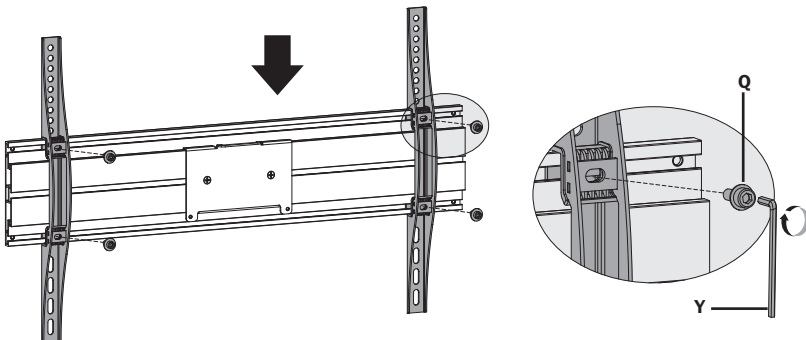


4. Installing the Adapter Brackets

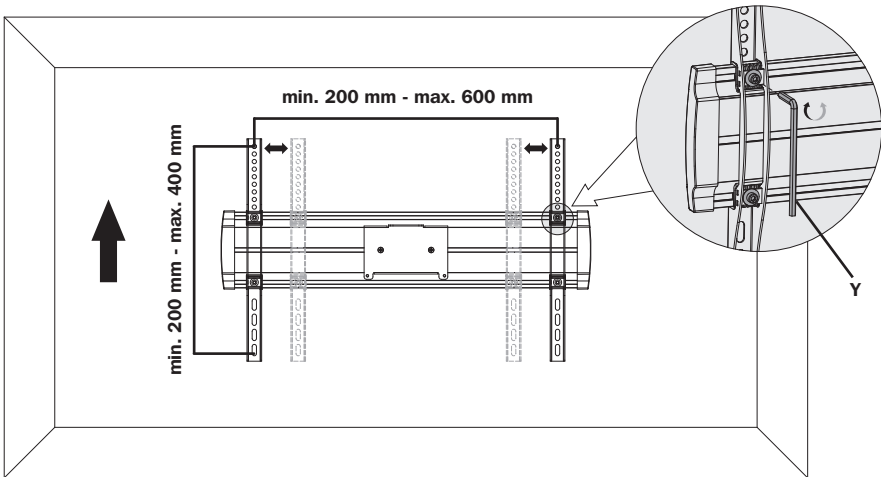
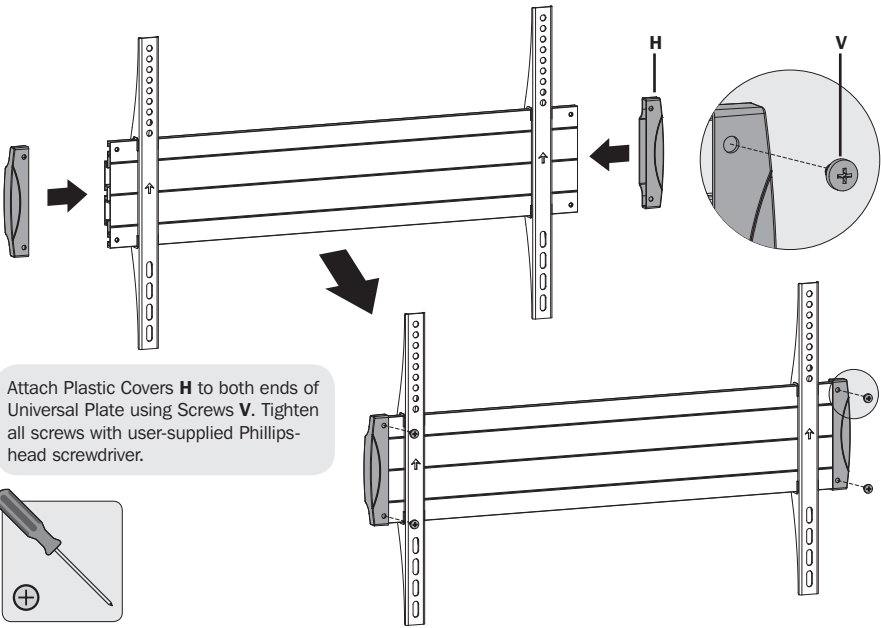
Insert Washers **P** into back of Universal Plate **G** along plate rails.



Insert Adapter Brackets **I** into Universal Plate. Align holes in Adapter Brackets to holes in Washers. Insert Screws **Q**, but do not tighten them yet.



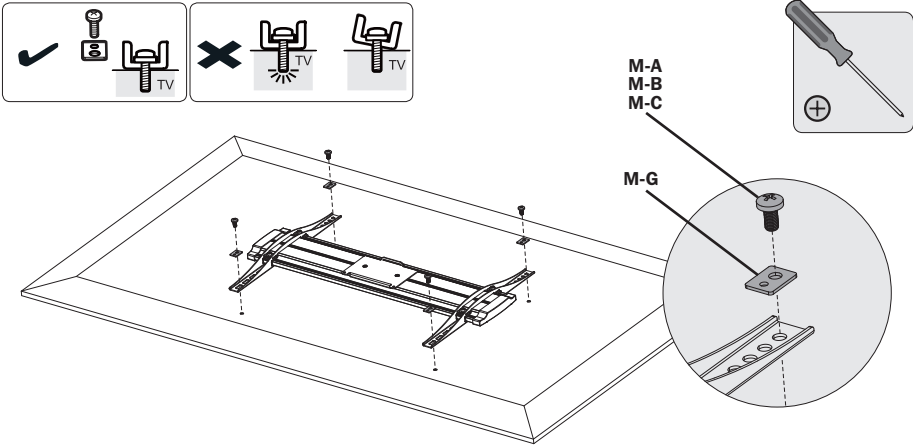
4. Installing the Adapter Brackets



Adjust Adapter Brackets to fit VESA hole pattern on your display. Tighten all Screws.
NOTE: Verify proper alignment of all holes.

4. Installing the Adapter Brackets

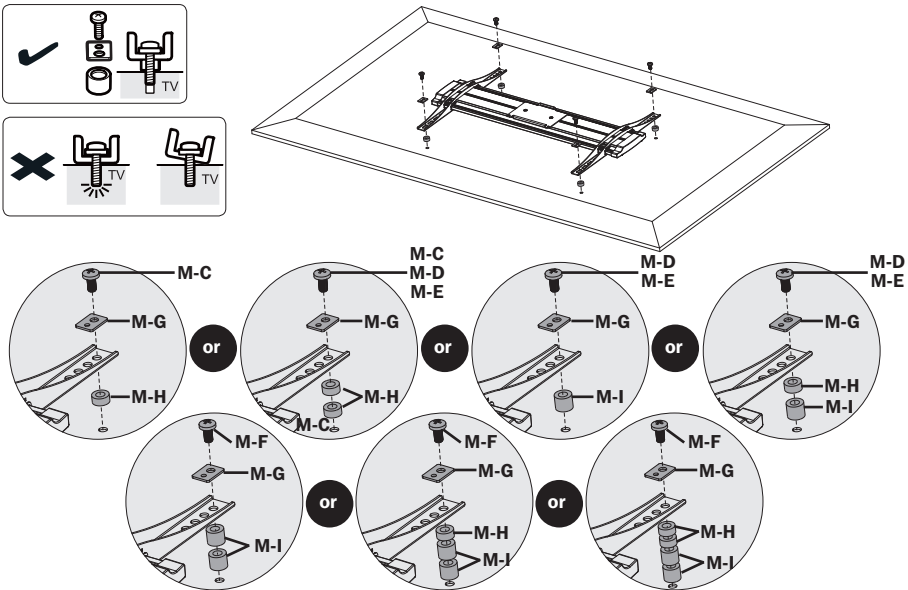
4.1 For Flat-Back Screens



Note: Choose the appropriate Screws, Washers and Spacers (if needed) according to the type of screen. Screw the Adapter Brackets onto the display.

CAUTION: Tighten all screws but do not over tighten.

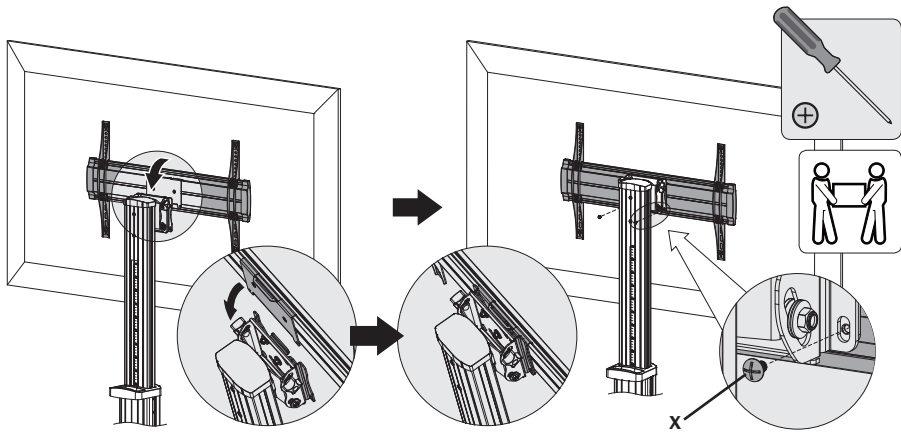
4.2 For Recessed-Back Screens or Accessing A/V Inputs



Note: Choose the appropriate Screws, Washers and Spacers (if needed) according to the type of screen. Screw the Adapter Brackets onto the display.

CAUTION: Tighten all screws but do not over tighten.

5. Hooking the Display to the Support Plate



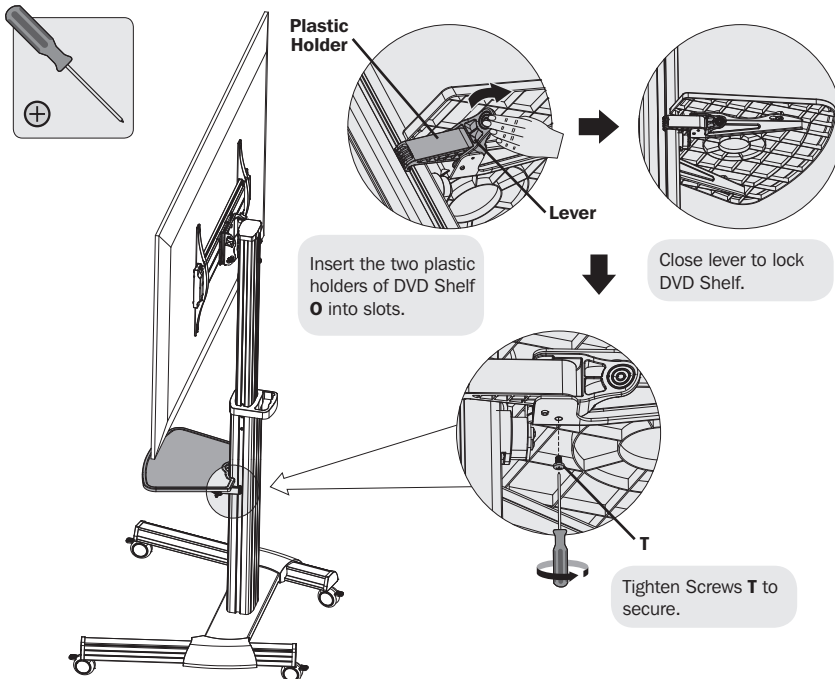
Hook Universal Plate onto Support Plate.

Secure by tightening Screws **X** with user-supplied Phillips-head screwdriver.



CAUTION: Be sure the display is correctly mounted and that the screws are safely tightened before releasing the display.

6. Installing the DVD Shelf



Plastic Holder

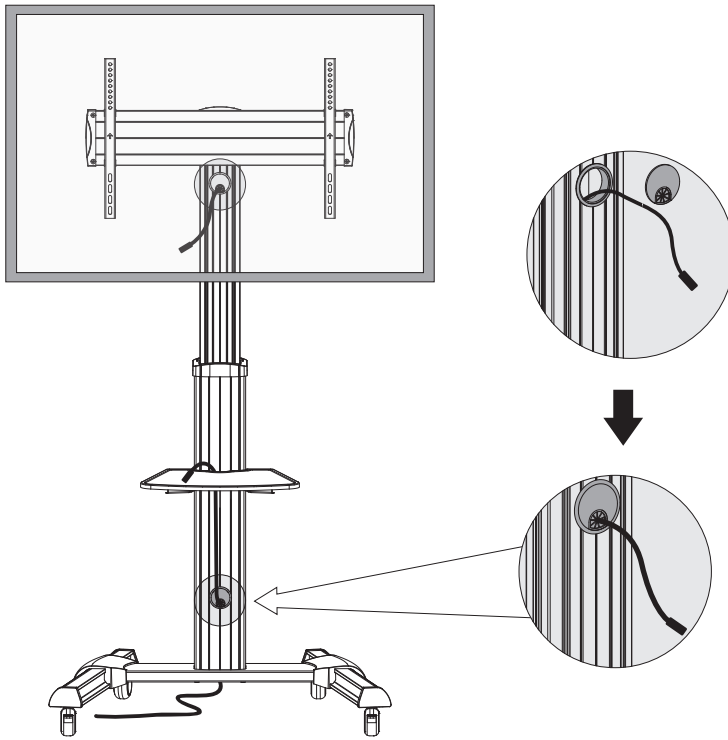
Lever

Insert the two plastic holders of DVD Shelf **O** into slots.

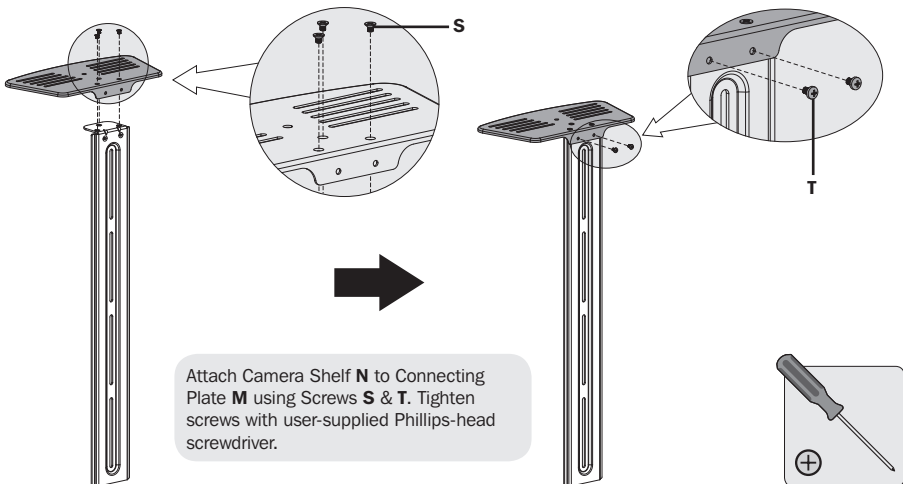
Close lever to lock DVD Shelf.

Tighten Screws **T** to secure.

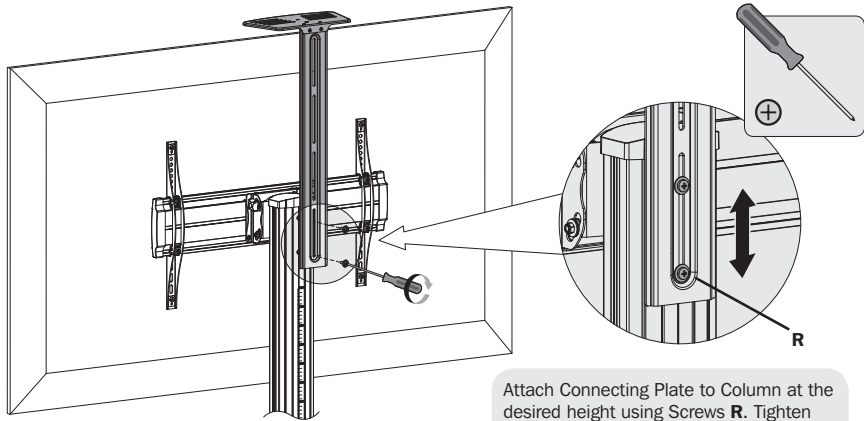
7. Cable Management



8. Installing the Camera Shelf



9. Installing the Connecting Plate

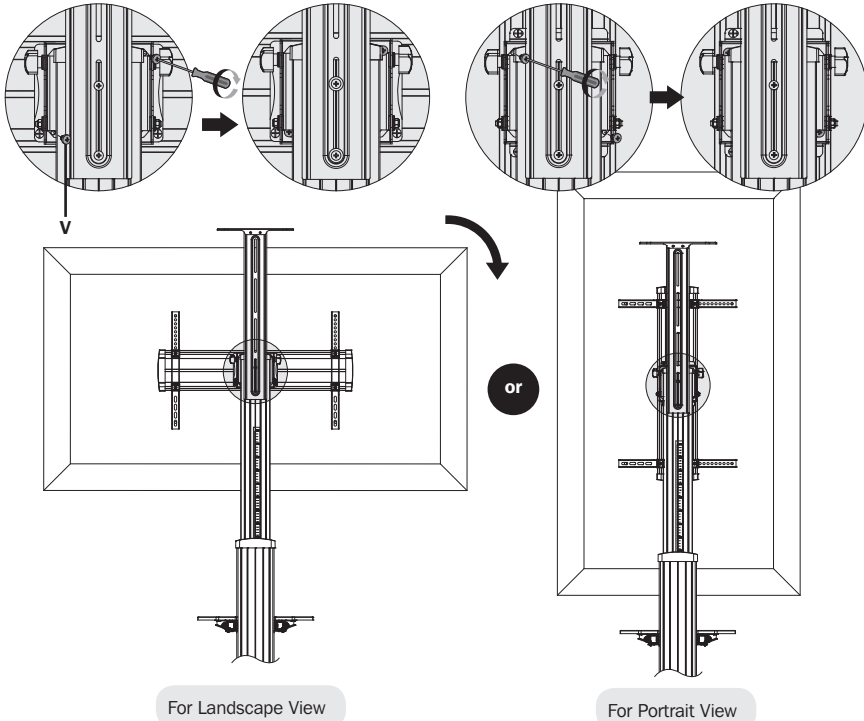


10. Display Orientation

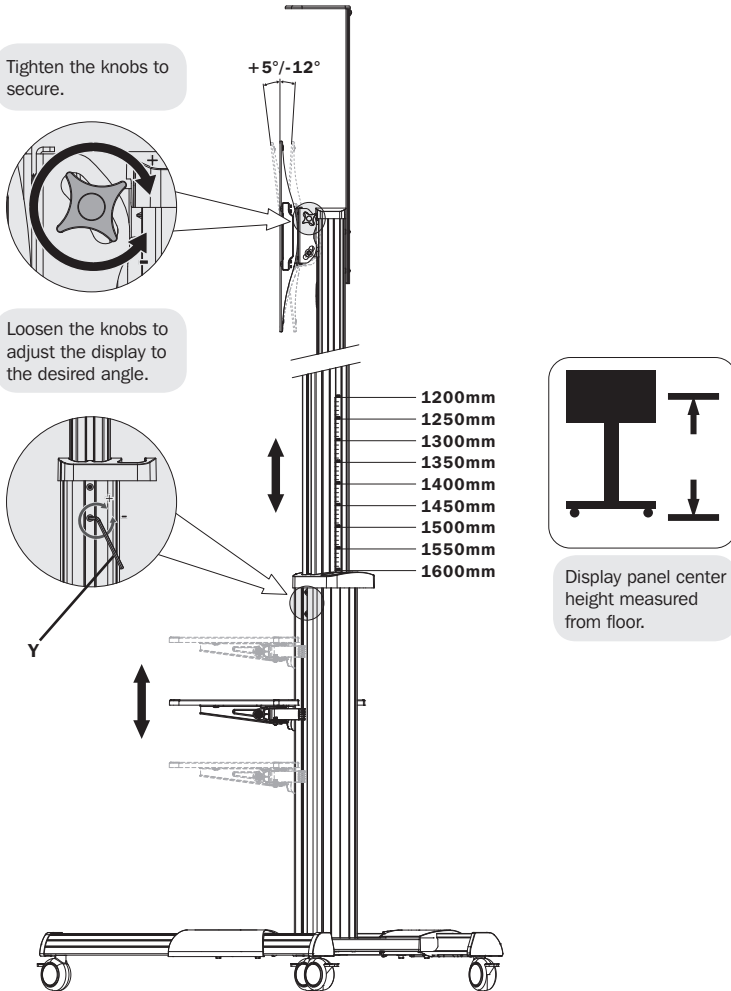
Install at least two Screws **V** diagonally to secure the display.

Remove the two screws to rotate the display 90° clockwise.

Retighten the removed screws into the different hole position to secure the display.



11. Adjustment



Maintenance

- Check that the bracket is secure and safe to use at regular intervals (at least every three months).
- For any additional questions, visit www.tripplite.com/support.

TRIPP-LITE



1111 W. 35th Street, Chicago, IL 60609 USA • www.tripplite.com/support