

Network Transmission Device

Etherstretch Lyte

Features

- Supports 100Mb and PoE over RG59 cables up to distances of 350 meters (1150 feet)
- Fully transparent to the network, requiring no IP and Mac addressing
- Supports any network device, including mega-pixel IP cameras
- Easy to install, no set up required, Plug and Play
- Designed to work with ER8200C/ ER16200C/ ER24200C
- LED indicators for network signals, link status and power
- Surge protected input
- Ground loop isolation
- Lifetime Warranty
- Made in the U.S.A.



IEC/UL 60950-1



Patent Pending USA
Euro Pat App 2779641

NITEK®

USA

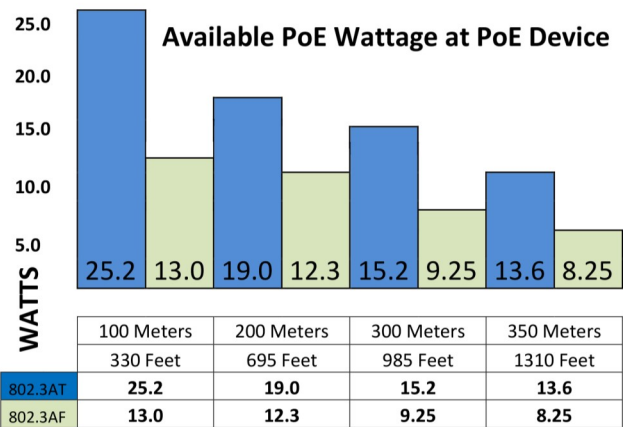
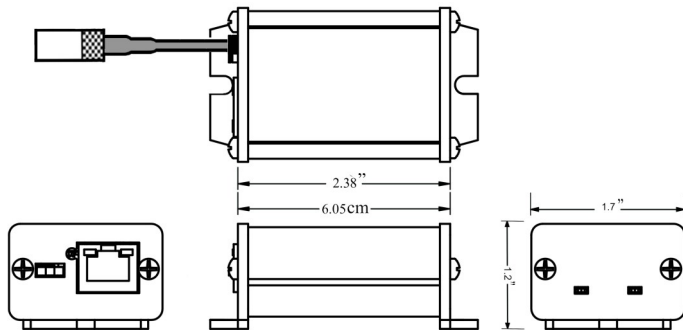
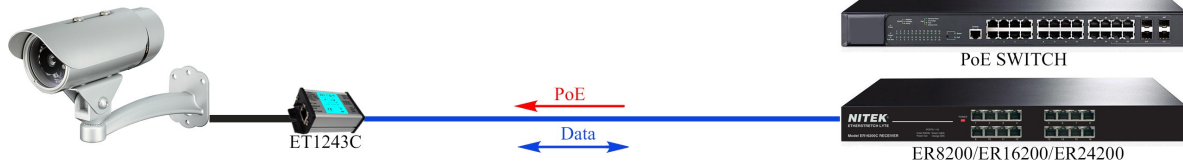
5410 Newport Drive, # 24
Rolling Meadows, IL 60008
Phone: (847) 259-8900
Fax: (847) 259-1300
E-mail: info@nitek.net
WWW.NITEK.NET

EUROPE

De Aar 99
8253 PN Dronten
The Netherlands
Tel: +31(0) 321 310 043
E-mail: info@nitekeurope.net
WWW.NITEK.NET

Common Installation

Up to 24 cameras or other IP devices



* Results charted were calculated with a 20AWG center conductor and power sourcing equipment using IEEE 802.AF standard with starting voltage of 48 volts DC and IEEE 802.AT standard with starting voltage of 54 volts DC PoE Switches with internal power and current limits may change individual results.

Technical specifications

Network Port:	RJ45 Connector
Link Port:	BNC Coax Jack
Ethernet :	100BASE-TX Full Duplex
Max Operating Distance:	350m/1150 feet
Rating/Listing	
• UL:	IEC/UL 60950-1
• NEMA TS-2:	Temperature & Humidity NEMA 2.2.7
	Mechanical Vibration NEMA 2.2.8
	Mechanical Shock NEMA 2.2.9
	Operating Voltage NEMA 2.1.2
	Operating Frequency NEMA 2.1.3
	Transient Test NEMA 2.1.6 thru 2.1.8
System Latency:	<1mS over 1000ft RG59
Operating Temperature:	-40° to 75° C / -40° to 167° F
Humidity:	Up to 95% non-condensing
Power Requirements:	PoE or by 15VDC from receiver
BTU Rating:	5 BTU/h
Dimensions:	1.2" x 1.7" x 3.0" / 3 cm x 4 cm x 8 cm
Shipping Weight:	1 lbs/ 0,5 kg
Shipping Size:	7.75" x 3.25" x 2.3"/ 20 cm x 8 cm x 6 cm