

## CM-400/500 MUSHROOM PUSH SWITCHES



CM-420PTE



CM-500/2

### FEATURES

- LARGE, EASY TO OPERATE RED, BLUE OR GREEN BUTTONS
- 1 5/8" (40 MM) DIAMETER
- FREE-SPINNING, HEAVY-DUTY BUTTON CANNOT BE UNSCREWED
- STAINLESS STEEL, ONE GANG OR TWO GANG FACEPLATE
- UL294 MODELS
- WITH OR WITHOUT LOGOS SCREENED ON FACEPLATE
- UL/CSA APPROVED SWITCH, RATED 10 AMPS @ 30V DC
- COLOR CODED 18 AWG SPADE CONNECTIONS
- FAST AND EASY TO INSTALL

### DESCRIPTION

**Camden Door Controls CM-400/500 Series** mushroom push switches are medium-duty push-button controls. Buttons are available in red, blue, or green (other colors on request), with a 1 5/8" (40 mm) diameter. The buttons are free-spinning, for protection against vandalism. They are supplied with an industrial grade stainless steel faceplate, in one gang or two gang widths.

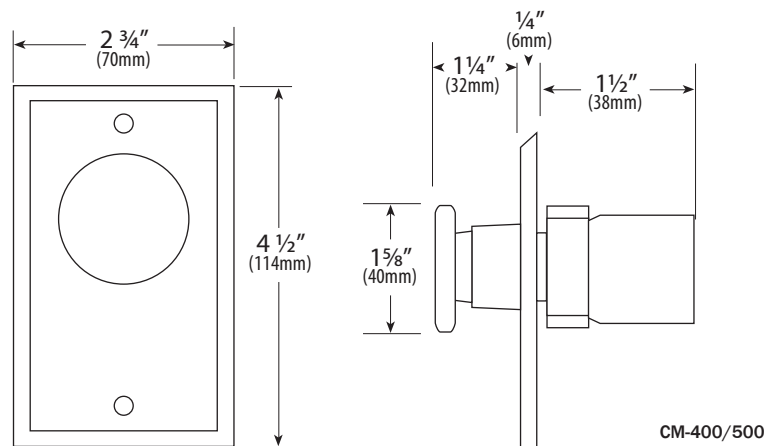
The switches are UL/CSA approved, rated 10 AMPS @ 30V DC. Select models are UL294.

### APPLICATION

Camden push switches are designed to control overhead doors, electric locks, electromagnetic locks, electric strikes, automatic doors, and handicap operators. They may also be used for shunting, bypassing alarms, request to exit, timed functions, and many other applications.

The switches are made for high frequency usage, in an indoor or outdoor environment. Easily visible, they are available with one gang or two gang stainless steel mounting plates.

Camden push switches are versatile, and are supplied in numerous configurations to suit varied commercial and industrial applications.



# MUSHROOM PUSH SWITCHES

## ARCHITECTS/ENGINEERS SPECIFICATIONS

The push switches to be used throughout the site/complex shall be Camden Door Controls CM-400/500 series push switches.

The button shall be easy to activate, 1 5/8" (40 mm) in diameter. The faceplate shall be constructed of industrial grade stainless steel, and shall be supplied with stainless steel security screws. The push button shall be free-spinning for additional protection against vandalism.

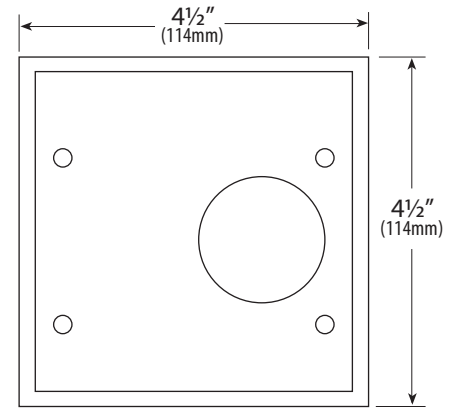
Rating for all electrical contacts, shall be a minimum of 10 amps @ 30 VDC.

The switch used shall be a UL/CSA approved type, supplied with color coded spade leads. The switch assembly shall be modular, allowing for up to six distinct functions upon activation of the push-button. The mounting shall employ a bayonet assembly, so that no set screws are required to secure the free spinning button.

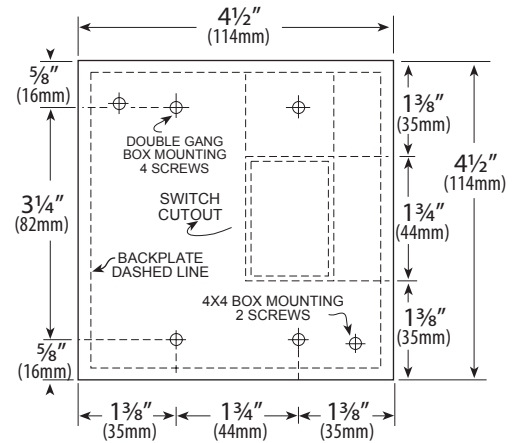
## ORDERING INFORMATION

All CM-400/500 series Exit switches come with a 1 5/8" mushroom button (red, blue, or green), stainless steel faceplate, modular contact block, 2 socket/slotted screws, and 2 tamperproof screws.

MODELS	MODELS	MODELS	DESCRIPTION
<b>SINGLE GANG FACEPLATE</b>	<b>NARROW FACEPLATE</b>	<b>DOUBLE GANG FACEPLATE</b>	
CM-400	CM-400N	CM-500	N/O CONTACT
CM-410	CM-410N	CM-510	N/C CONTACT
CM-420	CM-420N	CM-520	N/O & N/C CONTACTS
CM-420PTE*			N/O & N/C PLAIN FACEPLATE, WITH 'PUSH TO EXIT' ENGRAVED ON BUTTON
CM-450/R			SINGLE GANG, PUSH/PULL, N/O & N/C STAINLESS STEEL FACEPLATE, MAINTAINED, RED ONLY
CM-400/1	CM-400N/1	CM-500/1	PLAIN FACEPLATE, SPST, N/O
		CM-500/2	WHEELCHAIR LOGO
CM-400/3	CM-400N/3	CM-500/3	'PUSH TO OPEN', N/O
CM-400/3F	CM-400N/3F	CM-500/3F	'POUSSEZ POUR OUVRIR'
CM-400/3S	CM-400N/3S	CM-500/3S	'EMPUJE PARA ABRIR'
CM-400/7	CM-400N/7	CM-500/7	'PUSH TO EXIT', N/O
CM-400/7F	CM-400N/7F	CM-500/7F	'POUSSEZ POUR SORTIR'
CM-400/8	CM-400N/8	CM-500/8	'PUSH TO LOCK', N/O
CM-400/12			'PRESS FOR EMERGENCY ASSISTANCE'
CM-400/12F			'APPUYER POUR AIDE D'URGENCE'



CM-500 FACEPLATE



CM-500 BACKPLATE

### FOR BUTTON GRAPHICS, ADD:

(ADD SUFFIX TO ANY 'BLANK' MODEL ABOVE)

- 'E' 'EXIT' ENGRAVED, PAINT FILLED
- 'ES' 'EXIT/ SORTIE' ENGRAVED, PAINT FILLED
- 'S' 'SORTIE' ENGRAVED, PAINT FILLED
- ESA 'EXIT/SALIDA' ENGRAVED, PAINT FILLED
- 'SA' 'SALIDA' ENGRAVED, PAINT FILLED
- 'H' WHEELCHAIR LOGO, PAINT FILLED

### FOR BUTTON COLOR, ADD:

(ADD SUFFIX TO ANY MODEL ABOVE.  
IF NOT SELECTED, RED WILL BE SUPPLIED)

- 'R' RED BUTTON
- 'G' GREEN BUTTON
- 'B' BLUE BUTTON

 **UL294 & UL61058-1 Compliant**