

Callout	Description	Callout	Description
1	Mounting plate hooks	2	Plate mounting hole

3 | Specifications

Dimensions	(HxWxD) 9.25 in x 8.63 in x .5 in (23.5 cm x 21.92 cm x 1.27 cm)
------------	--

DE-de: Für Dokumentation in Ihrer Sprache, klicken Sie hier <https://de.boschsecurity.com/de>
 EL-gr: Μεταβείτε στη διεύθυνση <https://gr.boschsecurity.com/el/> για την τεκμηρίωση σε αυτήν τη γλώσσα.
 ES-es: Visite <https://es.boschsecurity.com/es/> para obtener documentación en este idioma.
 FR-fr: Accédez à l'adresse <https://fr.boschsecurity.com/fr/> pour obtenir la documentation dans cette langue.
 HU-hu: A honosított dokumentációt lásd a <https://hu.boschsecurity.com/hu/> oldalon.
 IT-it: Andare a <https://it.boschsecurity.com/it/> per la documentazione in questa lingua.
 NL-nl: Voor de documentatie in uw taal, ga naar <https://www.boschsecurity.com/nl/nl>
 PL-pl: Dokumentacja w tym języku znajduje się w witrynie <https://pl.boschsecurity.com/pl/>
 PT-br: Acesse <http://pt.boschsecurity.com/pt/> para obter a documentação neste idioma.
 SE-sv: For documentation in this language, go to <https://www.boschsecurity.com/xn/en/>

Reading Bosch Security Systems B.V. Product Date Codes

For Product Date Code information, refer to the Bosch Security Systems B.V. Web site at: <http://www.boschsecurity.com/datecodes/>.

Bosch Security Systems B.V.

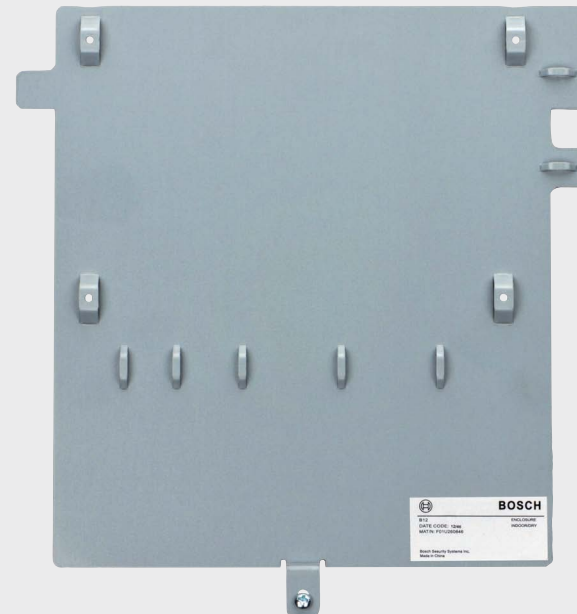
Torenallee 49
 5617 BA Eindhoven
 Netherlands
www.boschsecurity.com
 © Bosch Security Systems B.V., 2019



Mounting Plate for D8103 B12

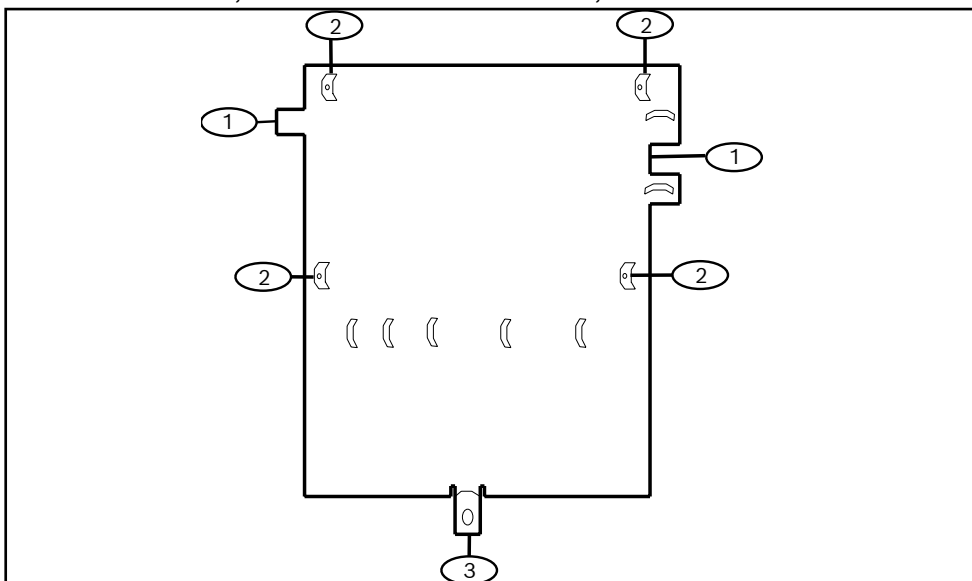


en Installation Guide



1 | Overview

This mounting plate is required when installing B5512/B4512 Control Panels, the B520 Aux Power Module, or other similar devices into D8103 Universal Enclosures, D8108A Attack Enclosures, or D8109 Fire Enclosures.



Callout	Description
1	Hook tabs
2	Support post
3	Lock down tab

2 | Installation

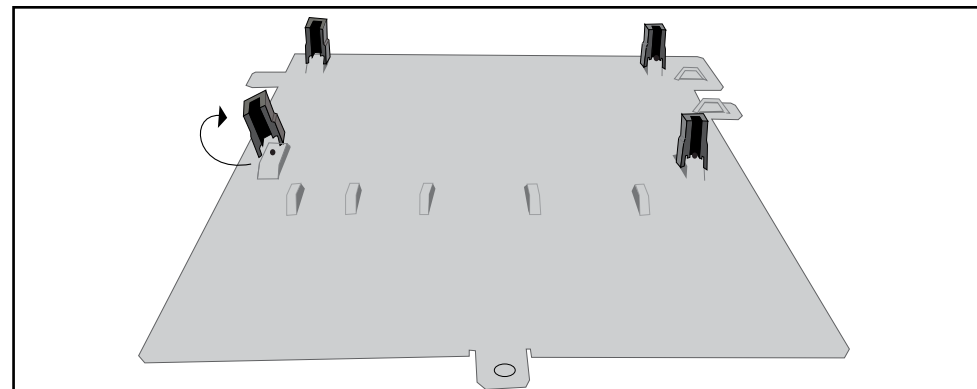
2.1 | Install the standoffs

Place four plastic standoffs onto the four support posts in *Callout #2*. (Standoffs provided separately with the device being mounted.)



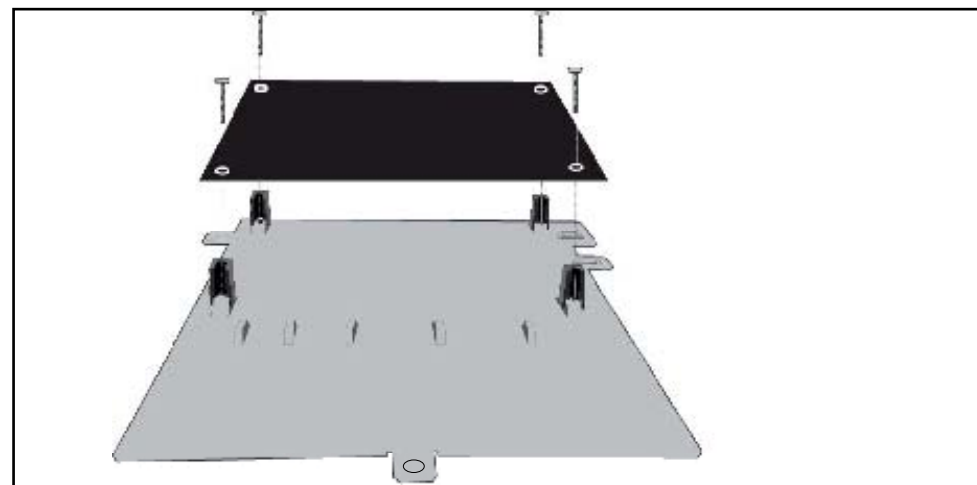
NOTICE!

Do not attach the standoffs with screws at this time.



2.2 | Place the device

Refer to the following illustration for installing a device.



2.3 | Attach the standoffs

Attach the device to the mounting plate with screws as shown above. (Separate screws come with installed device).