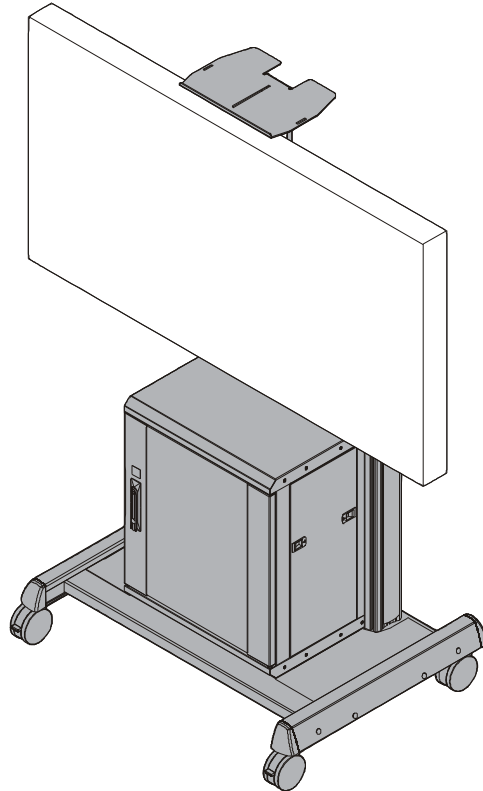

INSTALLATION INSTRUCTIONS



Height Adjustable Video Conferencing Cart

DISCLAIMER

Milestone AV Technologies and its affiliated corporations and subsidiaries (collectively "Milestone"), intend to make this manual accurate and complete. However, Milestone makes no claim that the information contained herein covers all details, conditions or variations, nor does it provide for every possible contingency in connection with the installation or use of this product. The information contained in this document is subject to change without notice or obligation of any kind. Milestone makes no representation of warranty, expressed or implied, regarding the information contained herein. Milestone assumes no responsibility for accuracy, completeness or sufficiency of the information contained in this document.

Chief® is a registered trademark of Milestone AV Technologies. All rights reserved.



IMPORTANT SAFETY INSTRUCTIONS



WARNING: A WARNING alerts you to the possibility of serious injury or death if you do not follow the instructions.



CAUTION: A CAUTION alerts you to the possibility of damage or destruction of equipment if you do not follow the corresponding instructions.



WARNING: Failure to read, thoroughly understand, and follow all instructions can result in serious personal injury, damage to equipment, or voiding of factory warranty! It is the installer's responsibility to make sure all components are properly assembled and installed using the instructions provided.



WARNING: Failure to provide adequate structural strength for this component can result in serious personal injury or damage to equipment! It is the installer's responsibility to make sure the structure to which this component is attached can support five times the combined weight of all equipment. Reinforce the structure as required before installing the component.



WARNING: Exceeding the weight capacity can result in serious personal injury or damage to equipment! It is the installer's responsibility to make sure the combined weight of all components attached to the XVAU head assembly up to (and including) the display does not exceed 250 lbs (113.4 kg). Use with heavier televisions may result in instability causing tip over resulting in death or serious injury!



WARNING: Exceeding the weight capacity can result in serious personal injury or damage to equipment! It is the installer's responsibility to make sure the combined weight of all components located within the XVAU rack box does not exceed 150 lbs (68 kg). Use with excessive weight may result in instability causing tip over resulting in death or serious injury!



WARNING: Use this mounting system only for its intended use as described in these instructions. Do not use attachments not recommended by the manufacturer.



WARNING: Never operate this mounting system if it is damaged. Return the mounting system to a service center for examination and repair.



WARNING: Do not use this product outdoors.



WARNING: RISK OF INJURY TO PERSONS! Do not place video equipment such as televisions or computer monitors on cart legs or rack box.



WARNING: RISK OF SERIOUS INJURY OR DEATH! Placing a remote control or toy on the cart may encourage a child to climb onto the cart causing the cart to tip over onto the child. DO NOT place remote controls or toys on the cart!



WARNING: RISK OF SERIOUS INJURY OR DEATH! Relocating audio and/or video equipment to the cart may result in the cart collapsing or overturning onto a child. DO NOT relocate audio and/or video equipment to the cart!

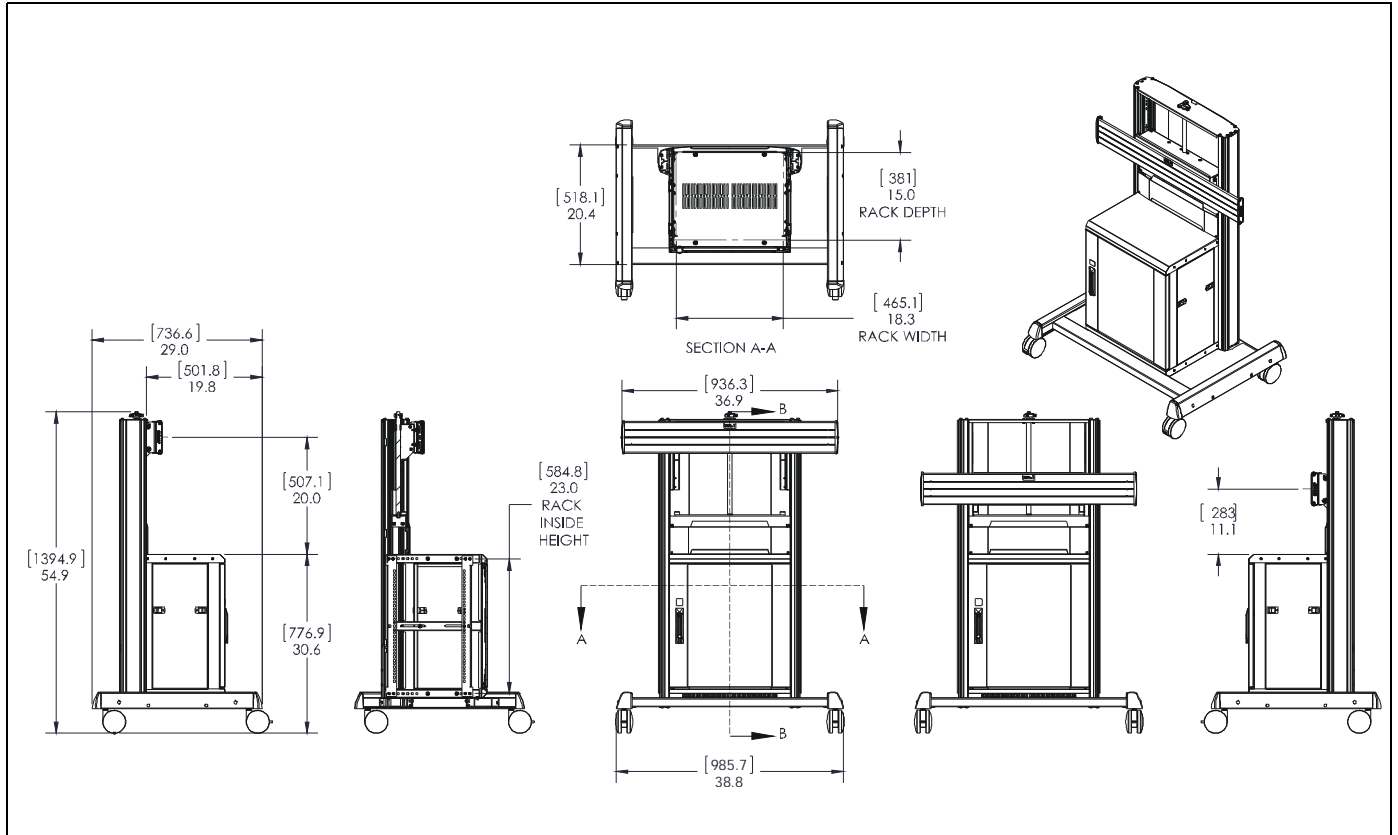
IMPORTANT ! : Minimum spacings between the Accessories and components and the (AV) Equipment Cabinet shall be maintained for safe operation of the equipment when installed in accordance with the National Electric Code, ANSI/NFPA 70-2008. Operating temperature inside rack shall not exceed 104° F.

NOTE: The XVAU cart has no user serviceable parts.

NOTE: The XVAU cart can support screen sizes between 40" and 58".

--SAVE THESE INSTRUCTIONS--

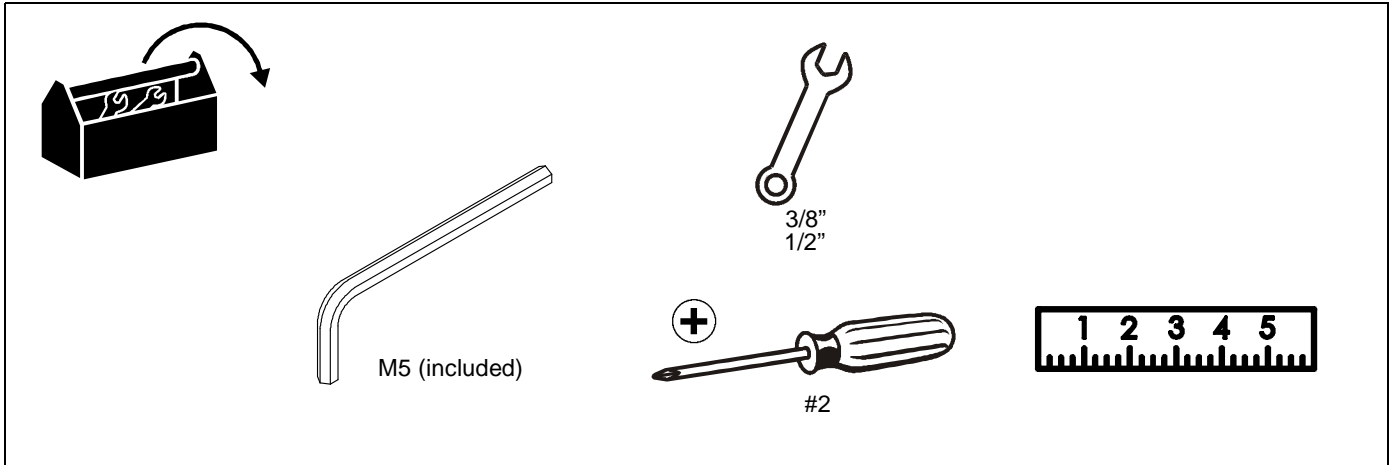
DIMENSIONS



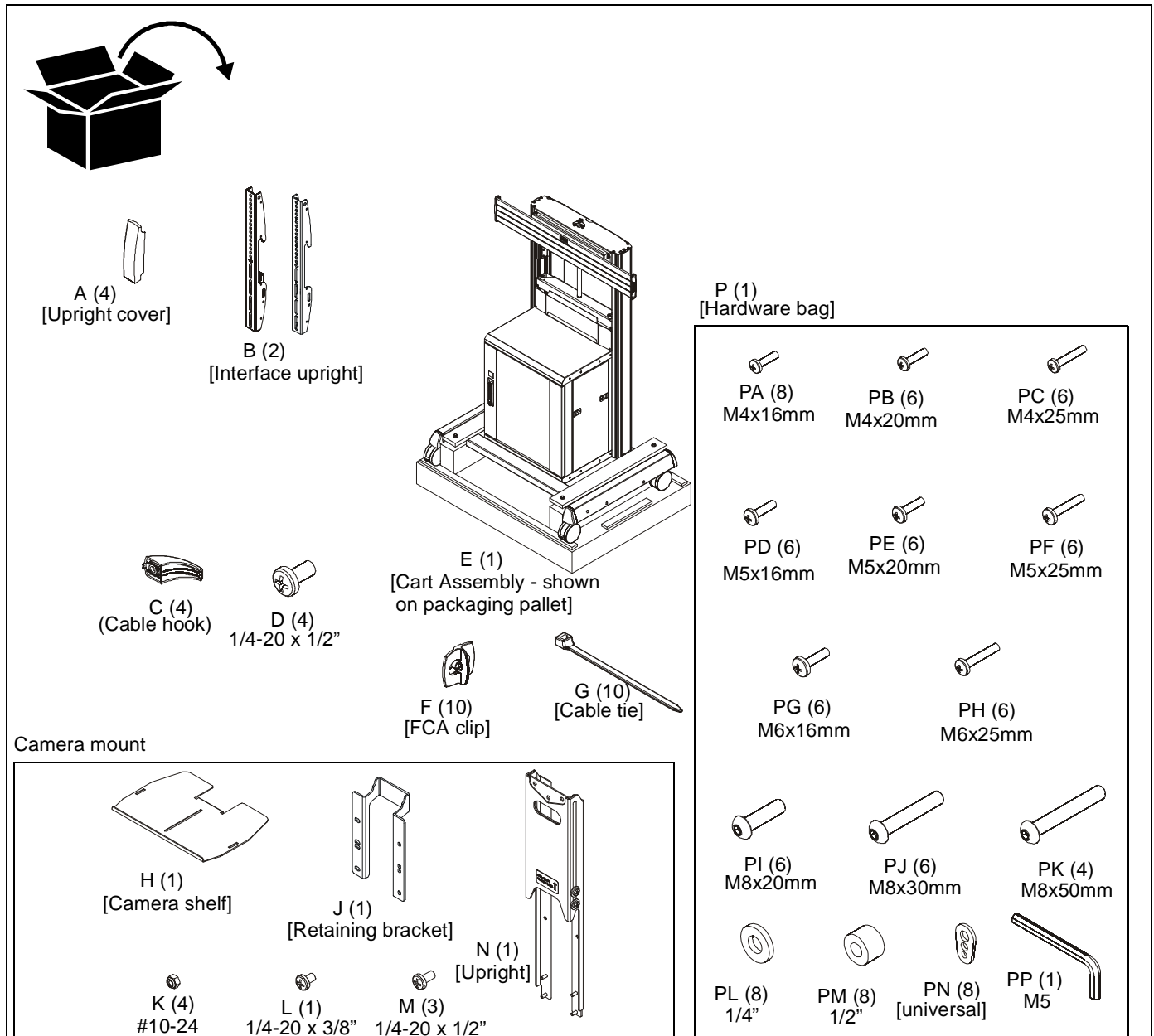
LEGEND

	Tighten Fastener Apretar elemento de fijación Befestigungsteil festziehen Apertar fixador Serrare il fissaggio Bevestiging vastdraaien Serrez les fixations		Pencil Mark Marcar con lápiz Stiftmarkierung Marcar com lápis Segno a matita Potloodmerkteken Marquage au crayon
	Loosen Fastener Aflojar elemento de fijación Befestigungsteil lösen Desapertar fixador Allentare il fissaggio Bevestiging losdraaien Desserrez les fixations		Drill Hole Perforar Bohrloch Fazer furo Praticare un foro Gat boren Percez un trou
	Phillips Screwdriver Destornillador Phillips Kreuzschlitzschraubendreher Chave de fendas Phillips Cacciavite a stella Kruiskopschroevendraaier Tournevis à pointe cruciforme		Adjust Ajustar Einstellen Ajustar Regolare Afstellen Ajuster
	Open-Ended Wrench Llave de boca Gabelschlüssel Chave de bocas Chiave a punte aperte Steeksleutel Clé à fourche		Remove Quitar Entfernen Remover Rimuovere Verwijderen Retirez
	By Hand A mano Von Hand Com a mão A mano Met de hand À la main		Optional Opcional Optional Opcional Opzionale Optie En option
	Hex-Head Wrench Llave de cabeza hexagonal Sechskantschlüssel Chave de cabeça sextavada Chiave esagonale Zeskantsleutel Clé à tête hexagonale		Security Wrench Llave de seguridad Sicherheitsschlüssel Chave de segurança Chiave di sicurezza Veiligheidssleutel Clé de sécurité

TOOLS REQUIRED FOR INSTALLATION



PARTS



Assembly and Installation

Packaging Removal

NOTE: The XVAU cart needs to be removed from the packaging pallet prior to camera shelf or display installation.

1. Use 1/2" socket head wrench to remove four bolts and washers holding XVAU cart (A) to packaging pallet. (See Figure 1)
2. Remove two packaging boards from top of pallet. (See Figure 1)



WARNING: XVAU cart weighs approximately 65 lbs (29.5 kg)! Always use proper lifting techniques and at least two people to lift cart from packaging pallet! Failure to take adequate precautions can result in serious personal injury or damage to equipment!

3. Using two people, carefully lift XVAU cart from packaging pallet. (See Figure 1)

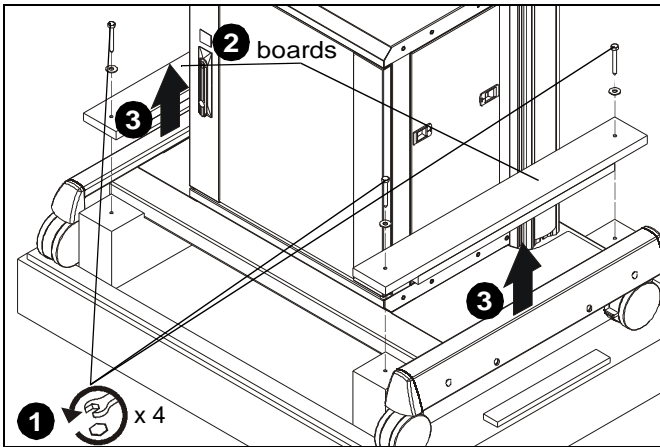


Figure 1

Camera Shelf Installation

Assembling Shelf to Upright

1. Attach shelf (H) to upright (N) using three 1/4-20 x 1/2" Phillips pan head machine screws (M). (See Figure 2)

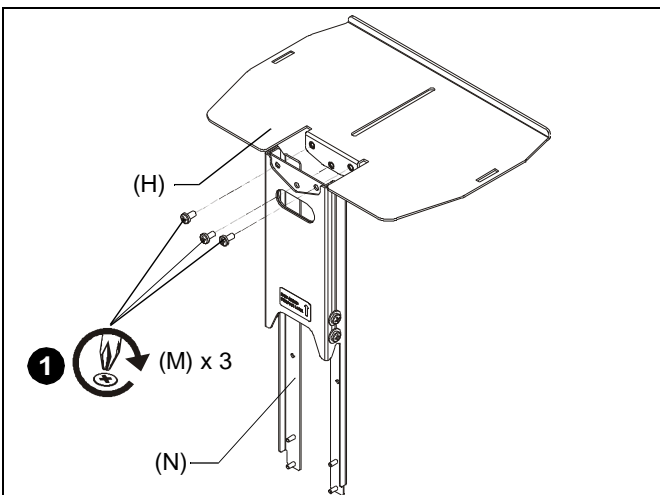


Figure 2

Attaching Shelf Assembly to Mount

1. Lower shelf assembly onto head assembly, placing shelf assembly hooks over extrusion. (See Figure 3)

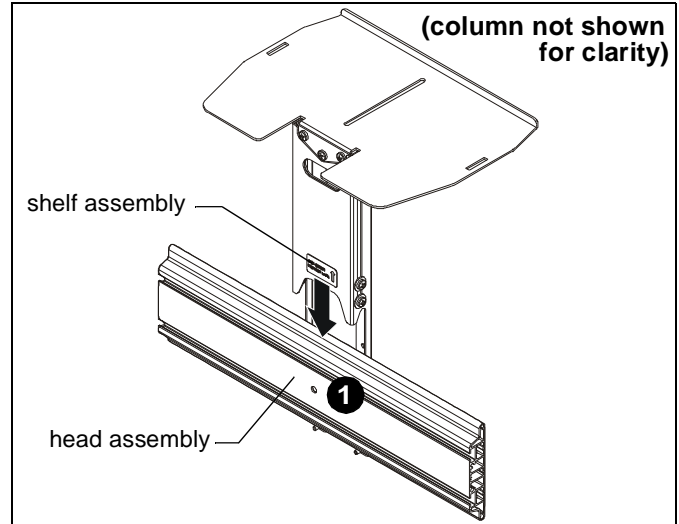


Figure 3

2. Attach retaining bracket (J) to upright, pressing retaining bracket against head assembly and tightening, using four 10-24 lock nuts (K). (See Figure 4)

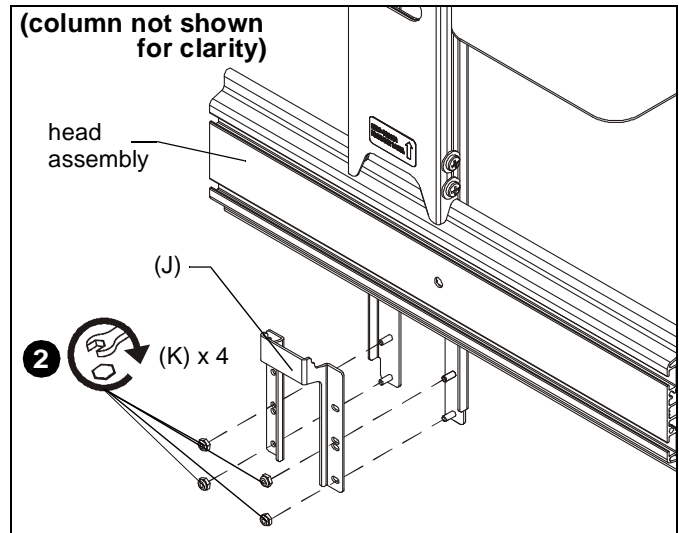


Figure 4

Installing Camera Shelf Components



WARNING: Exceeding the weight capacity can result in serious personal injury or damage to equipment! It is the installer's responsibility to make sure the combined weight of all components located on the camera mount does not exceed 10 lbs (4.5 kg).

NOTE: OPTIONAL: Slots are provided in shelf for strap (not included) to hold component in place. (See Figure 5)

Installing Camera

1. Install 1/4-20 x 3/8" Phillips pan machine screw (L) through mounting slot on shelf and into hole on bottom of camera (not included). (See Figure 5)
2. Route cable from camera towards back of shelf and down behind the cart. (See Figure 5)

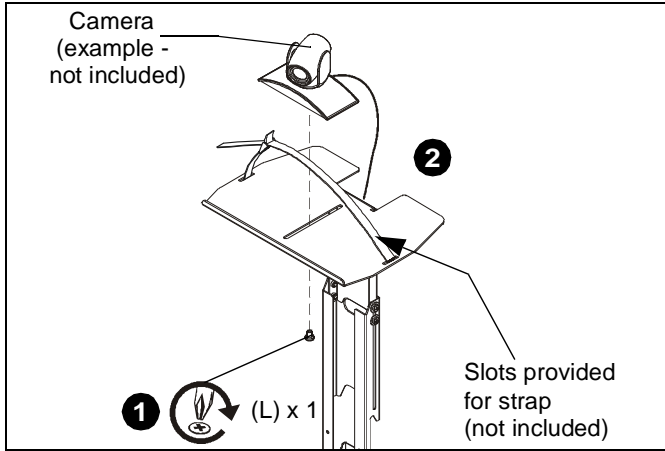


Figure 5

Display Installation



WARNING: Exceeding the weight capacity can result in serious personal injury or damage to equipment! It is the installer's responsibility to make sure the combined weight of all components attached to the XVAU head assembly up to (and including) the display does not exceed 250 lbs (113.4 kg). Use with heavier televisions may result in instability causing tip over resulting in death or serious injury!

1. Lay display face down on protective surface.



CAUTION: Using screws of improper diameter may damage your display! Proper screws will easily thread into display mounting holes.

2. Select screw *diameter* by examining hardware (PA-PK) (4mm, 5mm, 6mm or 8mm) and comparing with mounting holes on display. (See Figure 6)
3. Select spacers: (See Figure 6)
 - If mounting holes are not recessed and both uprights (B) can lay flat against display, then no spacers are required.
 - If mounting holes are recessed, or if protrusions prevent uprights (B) from laying flat, then spacers (TL or TM) must be used.



CAUTION: Using screws of improper length may damage your display! Proper screws will have adequate thread engagement without contacting bottom of display mounting holes.

4. Select screw *length*: (See Figure 6)
 - Using your hand, insert **SHORTEST** length screw of selected diameter (PA, PD, PG or PI) through universal washer (PN), uprights (B), selected spacer (PL or PM), into display mounting hole. Do NOT thread screw into hole at this time.

NOTE: Universal washers (PN) are not needed if using M8 button head cap screws (PI, PJ or PK).

- Proper screw length requires base of screw head to protrude above flat washer a *distance equal to or greater than the screw diameter*. If screw length is inadequate, select longer screw. Select *shortest* screw which will protrude the required distance.
5. Place uprights (B) on display, ensuring: (See Figure 6)
 - Center of uprights (B) are as close to the center of the back of display as possible after being installed. Center of bracket is indicated by the diamond-shaped hole.
 6. Use selected screws and spacers to install two interface uprights (B) to back of display. (See Figure 6)

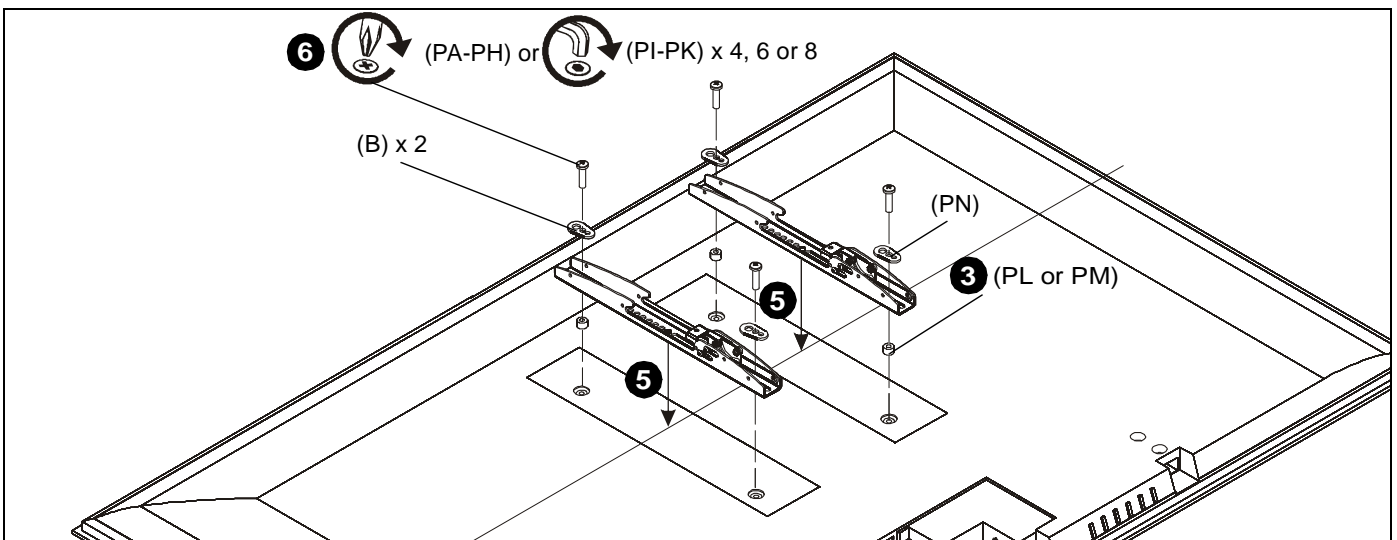


Figure 6

⚠ WARNING: Display may be very heavy! Ensure display may be safely lifted and maneuvered as required to install on cart. Failure to take adequate precautions can result in serious personal injury or damage to equipment!

NOTE: Camera shelf height may need to be raised in order to make room for display installation. See Camera Mount Height Adjustment Section for details.

7. Position latches on interface uprights so that they are in the "open" position. (See Figure 7)
8. Hang interface uprights (B) on head assembly. (See Figure 7)

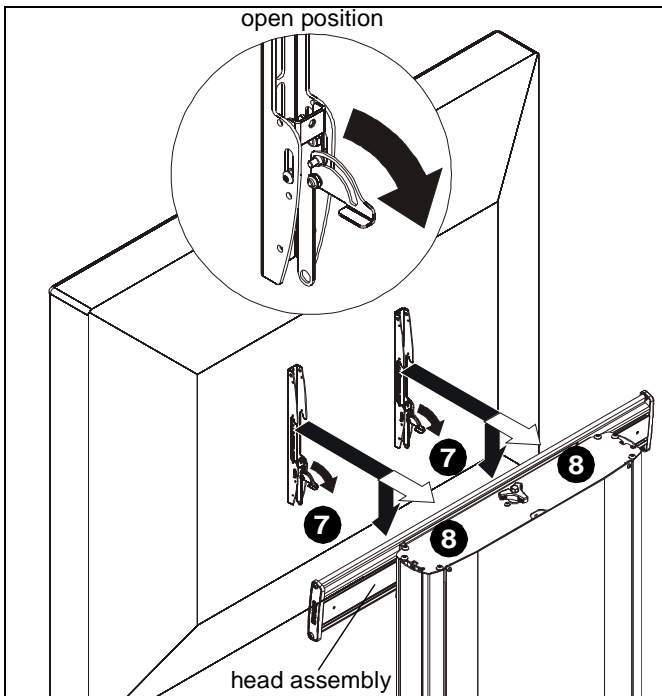


Figure 7

IMPORTANT ! : In order to ensure an even mount, install uprights to be centered over cart assembly. Do NOT install both uprights to the same side of cart assembly! (See Figure 8)

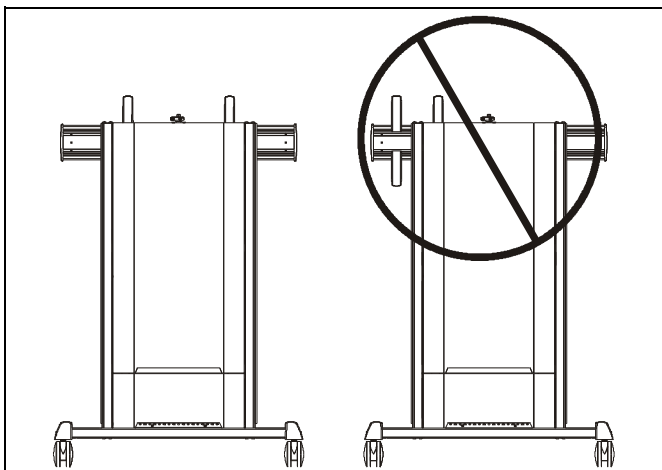


Figure 8

9. Move latches on interface uprights to the "closed" position to secure display to head assembly. (See Figure 9)

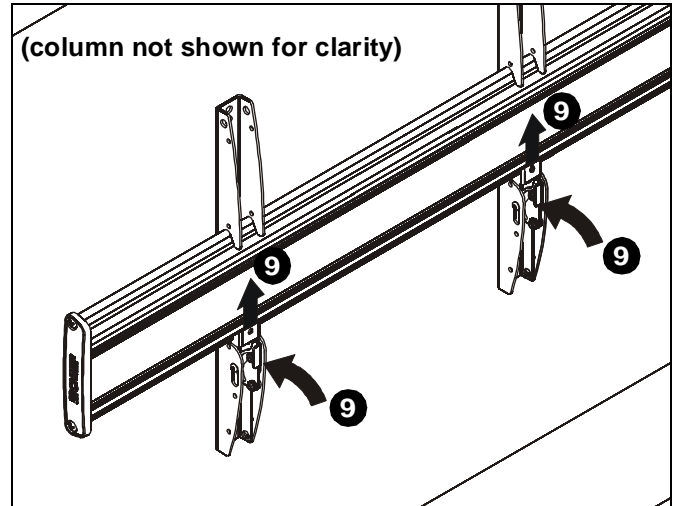


Figure 9

10. Snap four upright covers (A) onto uprights. (See Figure 10)

NOTE: Tabs on inside of covers (A) will snap directly into holes on uprights to ensure a secure connection.

11. (Optional) Use padlocks (not provided) to secure uprights to head assembly. (See Figure 10)

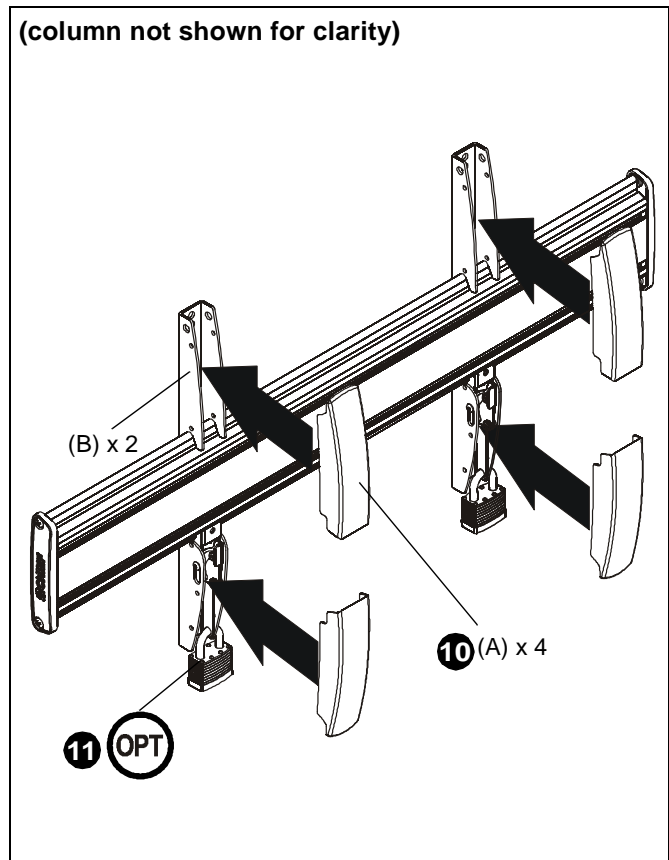


Figure 10

Cable Management

NOTE: The following cable management options may vary based on type of display being mounted and user preference.

FCA Clips

1. Place FCA clip (F) into groove on back of Fusion mount with clip handle in a vertical position. (See Figure 11)
2. Rotate FCA clip (F) 90° in either direction until clip handle is in a horizontal position. (See Figure 11)
3. Repeat Steps 2-3 for all clips to be installed.

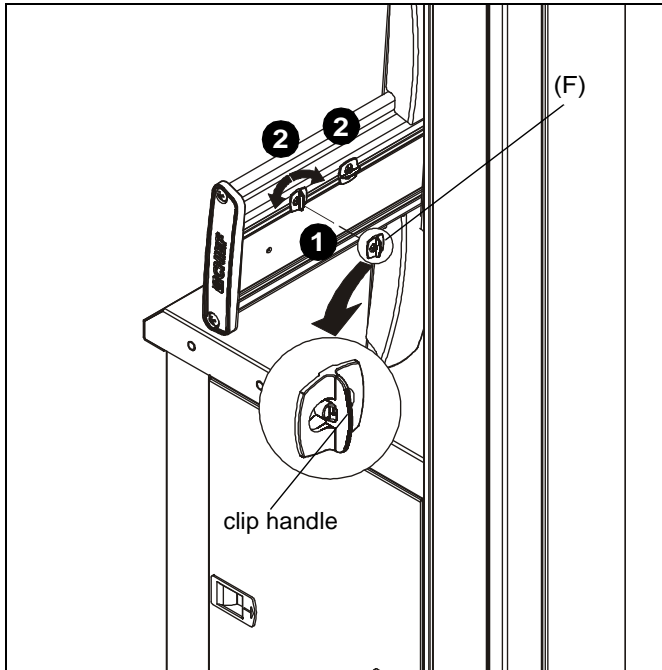


Figure 11

4. Route cables along FCA clips to be used for cable management. (See Figure 12)
5. Use cable ties (G) to secure cables to FCA clips. (See Figure 12)

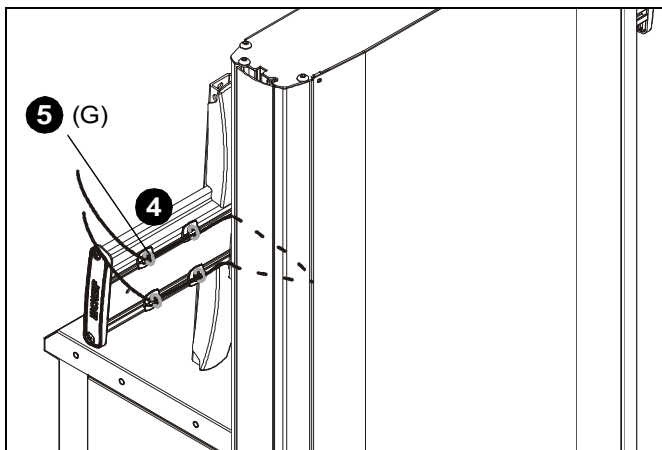


Figure 12

6. Route cables from display through inside of cart assembly attaching at cable management attachment points and/or accessory bracket as desired. (See Figure 13)

IMPORTANT ! : Route cables when display is at its highest point and make sure enough slack exists so that height may be adjusted without straining the cables!

NOTE: Rear covers may need to be removed to route cables properly. See Rear Cover Removal Section for details.

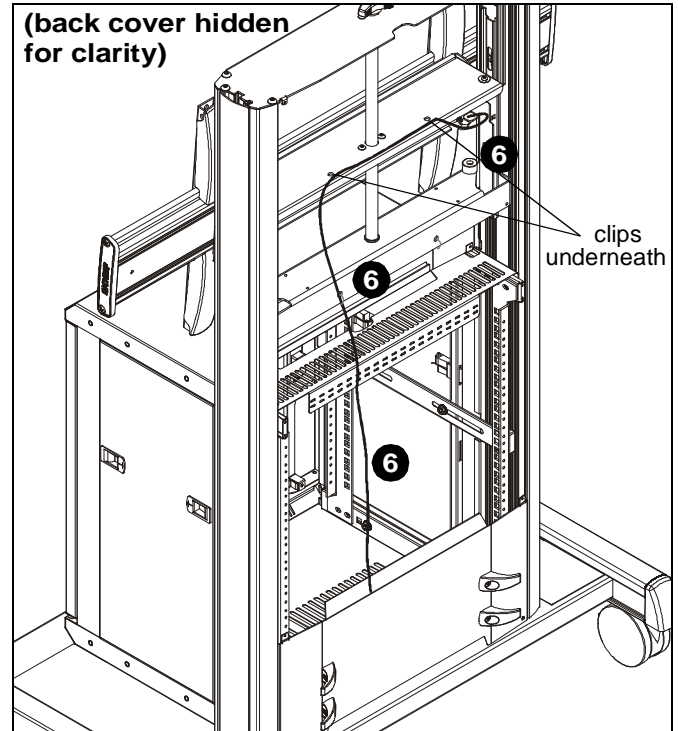


Figure 13

Cable Hooks

1. Use four 1/4-20 x 1/2" Phillips pan machine screws (D) to attach four cable hooks (C) to bottom of cart assembly (E). (See Figure 14)

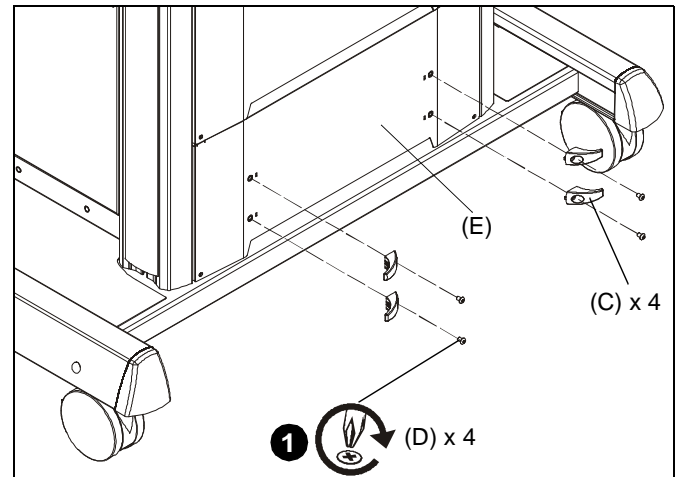


Figure 14

2. Wrap cables around cable hooks (C) as desired. (See Figure 15)

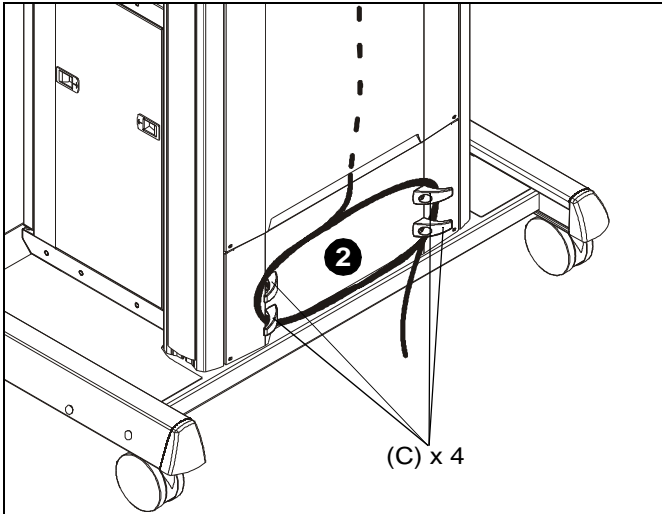


Figure 15

Adjustments

Height Adjustment

1. Turn height adjustment knob clockwise to raise display. (See Figure 16)
2. Turn height adjustment knob counterclockwise to lower display. (See Figure 16)



WARNING: Do not attempt to raise or lower the adjustment carriage beyond its upper or lower limit. (See Figure 16) and (See Figure 17) for high and low points.

NOTE: Lower tabs will rest on rubber bushings when the lowest point is reached. (See Figure 17) inset

A 1/2" socket wrench may also be used to adjust height by turning bolt just above height adjustment knob.

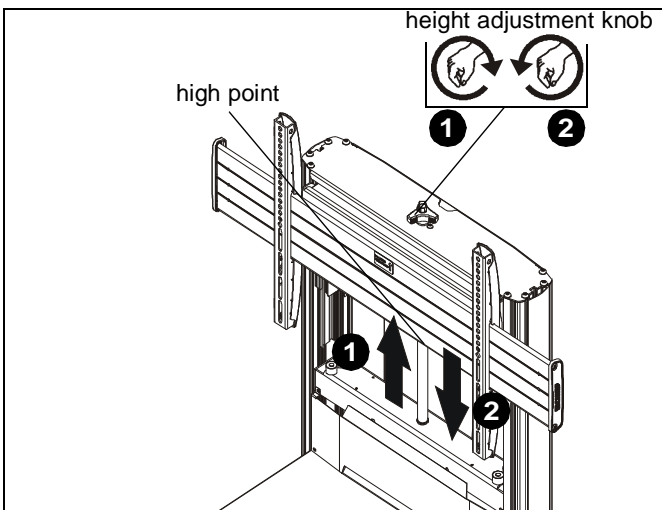


Figure 16

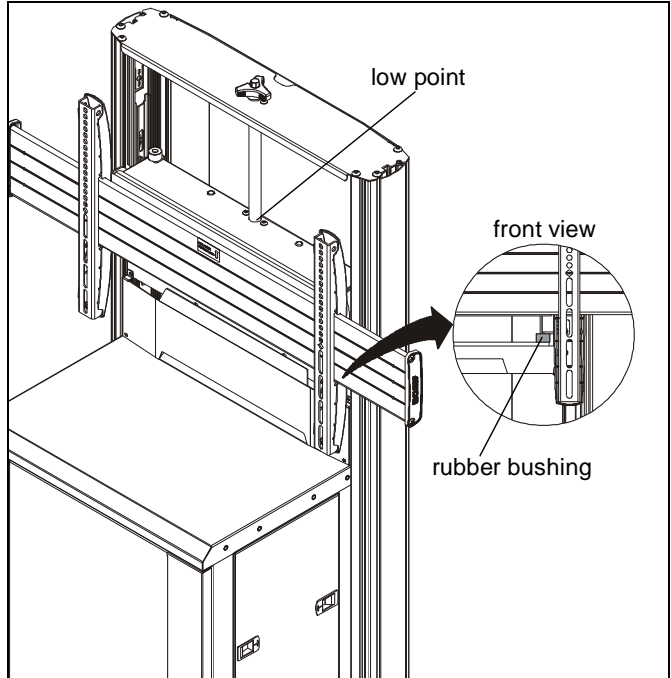


Figure 17

Pitch Adjustment

1. Loosen pitch adjustment screws to allow pitch to be adjusted. (See Figure 18)
2. Adjust pitch as desired. (See Figure 18)
3. Tighten pitch adjustment screws to lock pitch position. (See Figure 18)

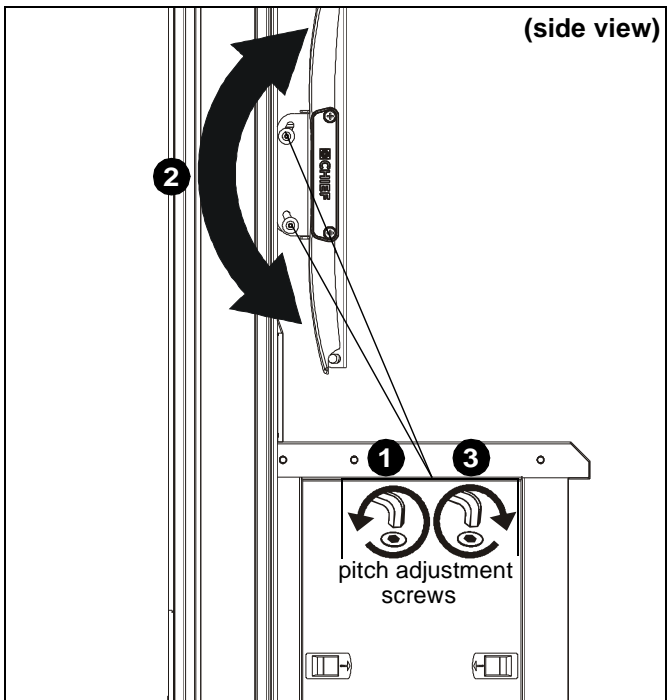


Figure 18

Camera Mount Height Adjustment

1. Loosen two screws on each side of upright. (See Figure 19)
2. Adjust height of shelf, as necessary.
3. Tighten two screws on each side of upright.

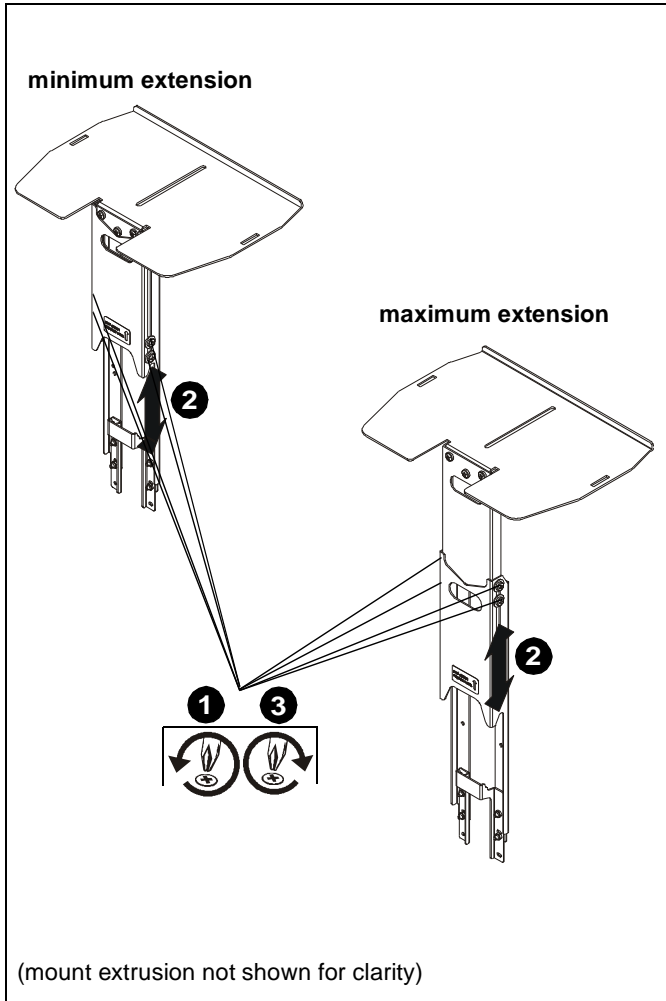


Figure 19

Cart Use and Maintenance

WARNING: Exceeding the weight capacity can result in serious personal injury or damage to equipment! It is the installer's responsibility to make sure the combined weight of all components located between the XVAU head assembly up to (and including) the display does not exceed 250 lbs (113.4 kg).

WARNING: Exceeding the weight capacity can result in serious personal injury or damage to equipment! It is the installer's responsibility to make sure the combined weight of all components located within the XVAU rack box does not exceed 150 lbs (68 kg). Use with excessive weight may result in instability causing tip over resulting in death or serious injury!

WARNING: RISK OF SERIOUS INJURY OR DEATH!
Placing a remote control or toy on the cart may encourage a child to climb onto the cart causing the cart to tip over onto the child. DO NOT place remote controls or toys on the cart!

WARNING: RISK OF SERIOUS INJURY OR DEATH!
Relocating audio and/or video equipment to the cart may result in the cart collapsing or overturning onto a child. DO NOT relocate audio and/or video equipment to the cart!

WARNING: CART CAN TIP OVER RESULTING IN INJURY!
Do not allow children under 16 to move cart. Only adults should move this cart. Move cart slowly. Apply moving force on narrow dimension. Never apply force at top - always push toward the middle. Push, don't pull cart. (See Figure 20)

NOTE: The XVAU cart has no user serviceable parts.

NOTE: The XVAU cart can support screen sizes between 40" and 58".

1. Always place cart on a level surface.

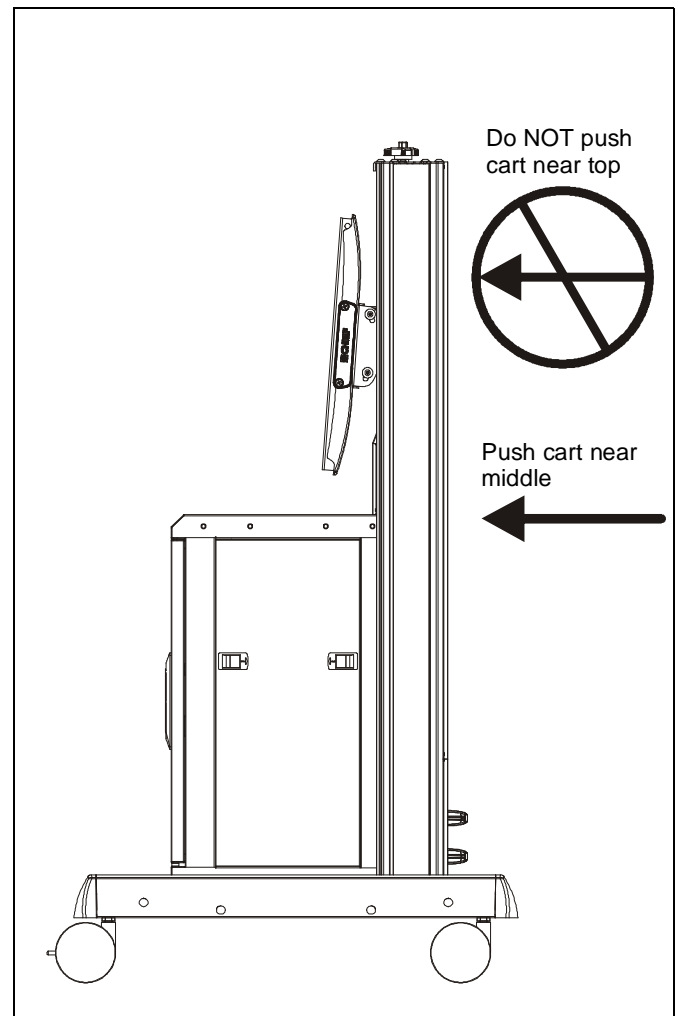


Figure 20

2. Always lock the wheels when the cart is not moving.
3. Check and tighten the hex nuts on the casters occasionally. (See Figure 21) These should be checked especially after use on uneven ground.

IMPORTANT ! : Do NOT overtighten nuts!

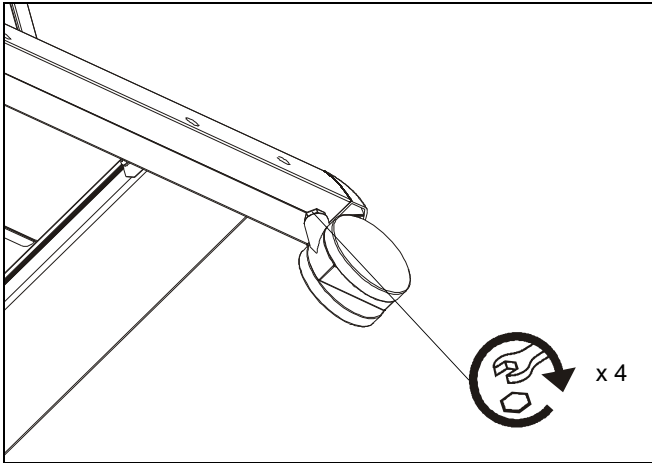


Figure 21

Removing Display from Cart

1. Remove any padlocks from interface uprights if installed.
2. Position latches on interface uprights so that they are in the "open" position. (See Figure 22)

! WARNING: DISPLAYS MAY WEIGH IN EXCESS OF 40 LBS! Always use two people and proper lifting techniques when installing or positioning display on cart.

3. Carefully lift display from cart. (See Figure 22)

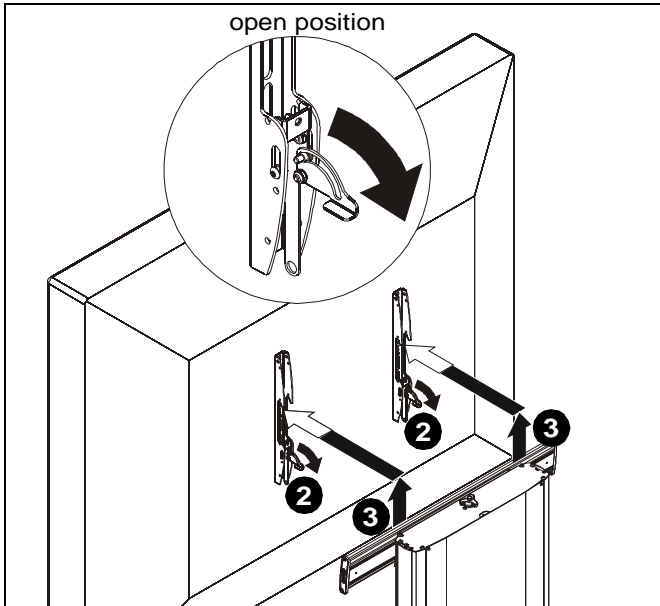


Figure 22

Opening Rack Box Doors

Front Door

1. Insert key into handle keyhole and turn. (See Figure 23)
2. Lift up handle and turn to free inside latch. (See Figure 23)
3. Pull door open. (See Figure 23)

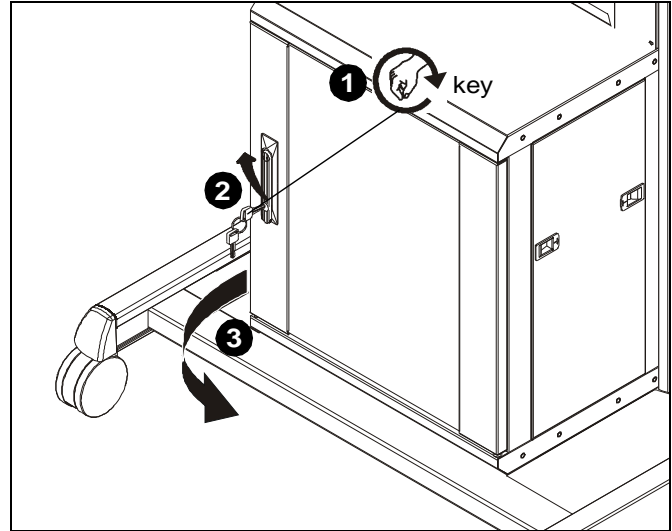


Figure 23

Side Doors

1. Push two buckles inside toward each other. (See Figure 24)
2. Pull door open from the top. (See Figure 24)

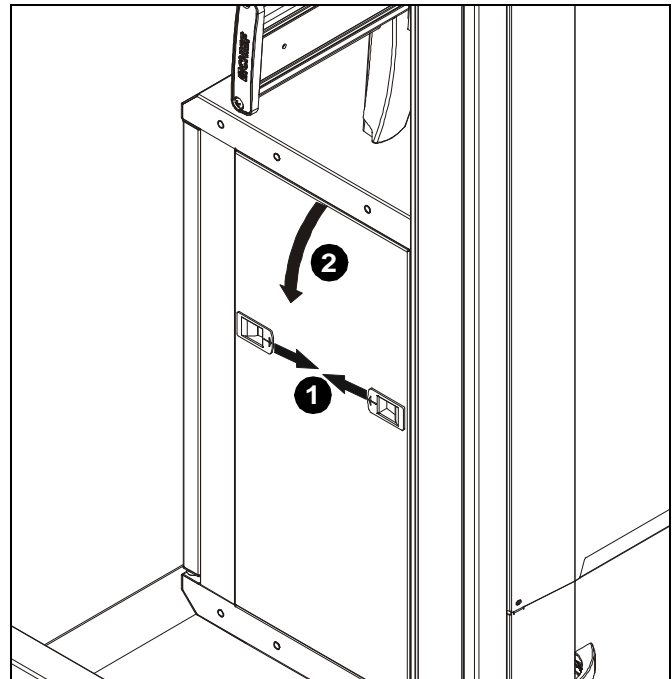


Figure 24

Reverse Rack Box Door

1. Turn upper door pin to release from locking tab and pull down to release door from rack and lift door from rack frame. (See Figure 25)
2. Release upper pin and turn it back to secure it under the locking tab. (See Figure 25)

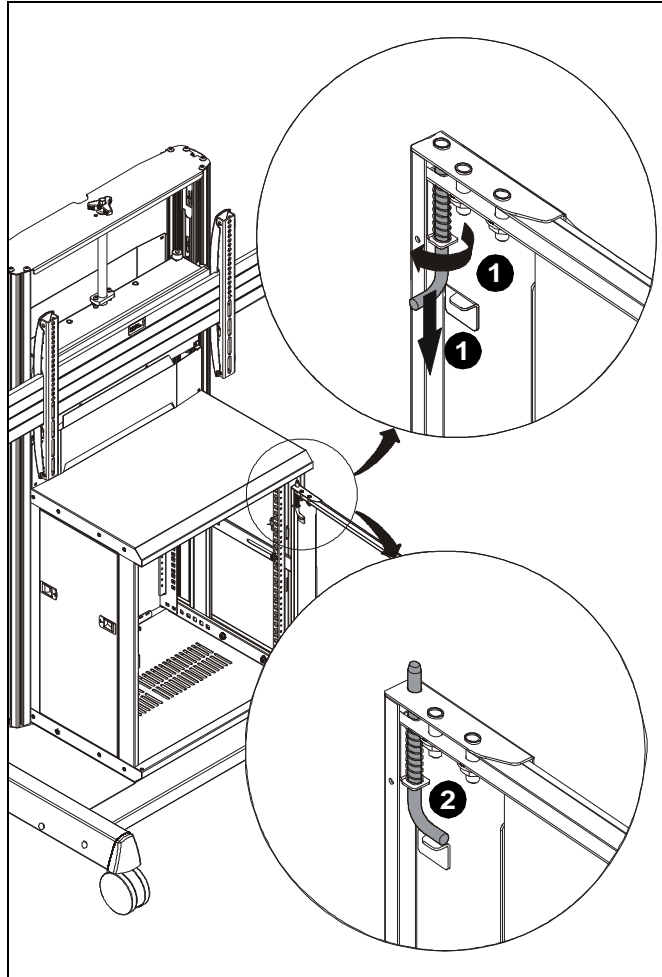


Figure 25

3. Remove spacer from bottom door pin. (See Figure 26)

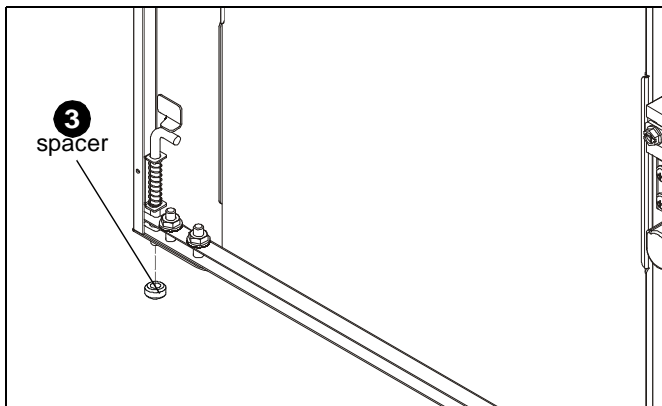


Figure 26

4. Fit spacer onto bottom pin and fit bottom pin into bottom mounting hole in rack. (See Figure 27)
5. Turn upper pin to release from locking tab and pull down. Fit pin into upper mounting hole in rack. (See Figure 27)
6. Release pin and turn pin to secure it under locking tab. (See Figure 27)

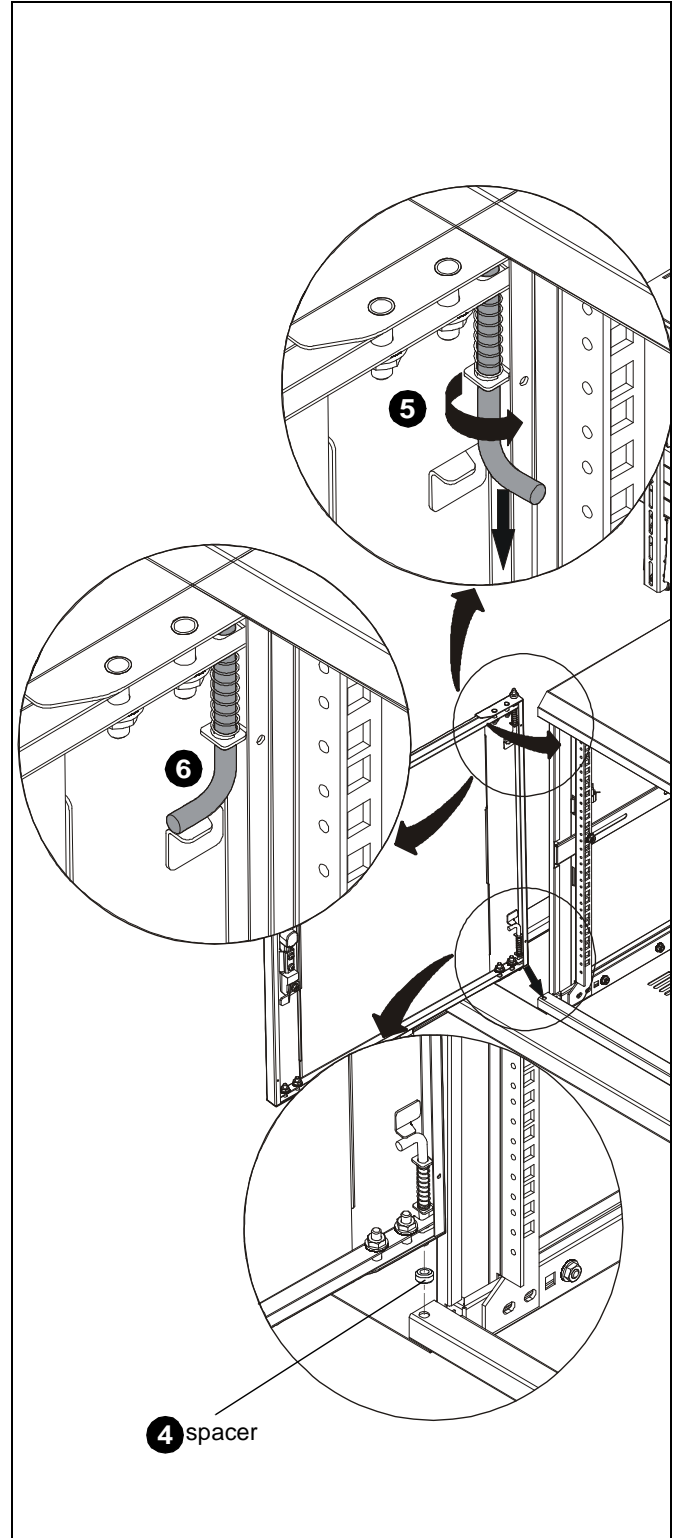


Figure 27

7. Remove screws, washers and bracket from door handle. (See Figure 28)
8. Flip the door handle. (See Figure 28)

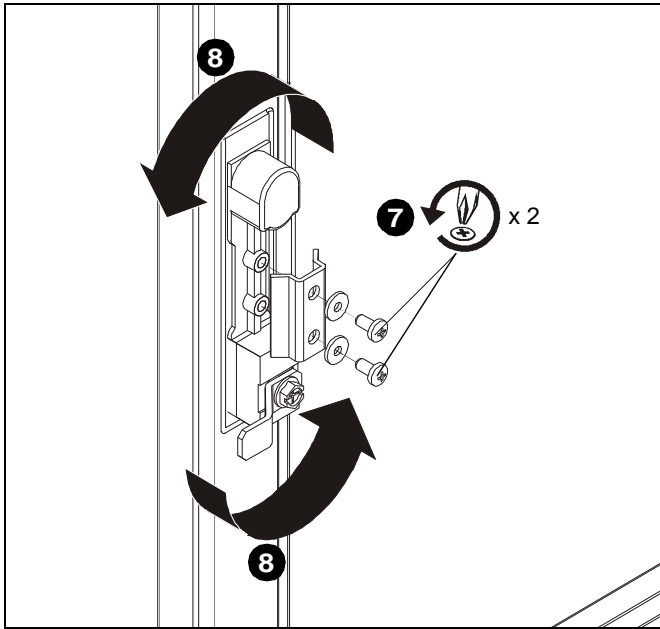


Figure 28

9. Reattach removed screws, washers and bracket to handle. (See Figure 29)
10. Loosen the locking cam screw. (See Figure 29)
11. Flip the locking cam tab to the side nearest the edge of the door. (See Figure 29)
12. Tighten the locking cam screw. (See Figure 29)

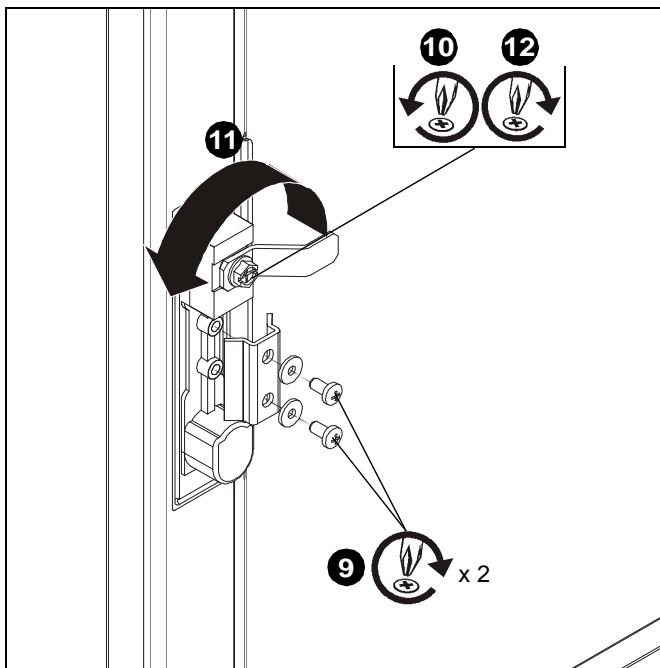


Figure 29

Rear Cover Removal

NOTE: The upper rear cover will need to be removed to route cables from display. The lower rear cover may also need to be removed depending on the application.

13. Remove four screws securing upper rear cover to cart assembly. (See Figure 30)
14. Remove four screws securing lower rear cover to cart assembly. (See Figure 30)

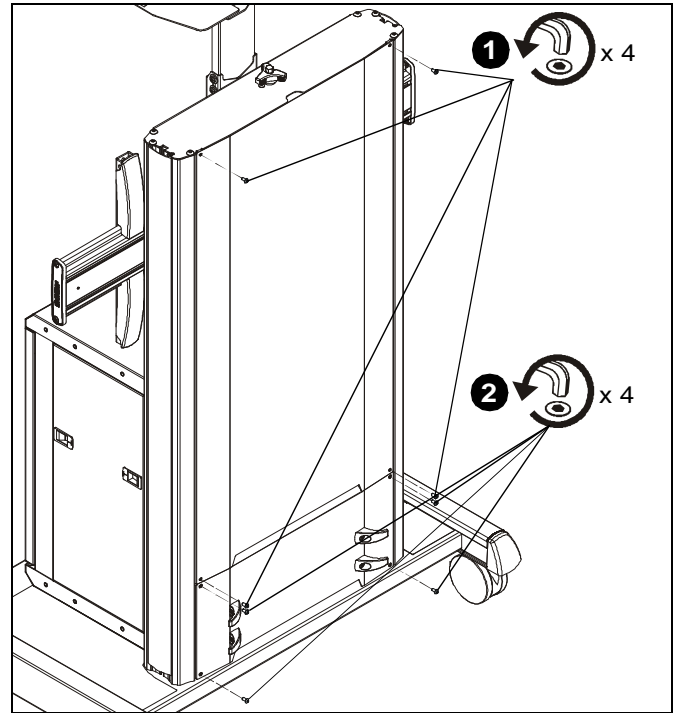


Figure 30

15. Unlatch tabs on one edge of upper rear cover and carefully pull cover away from column. (See Figure 31)
16. Unlatch tabs on one edge of lower rear cover and carefully pull cover away from column. (See Figure 31)

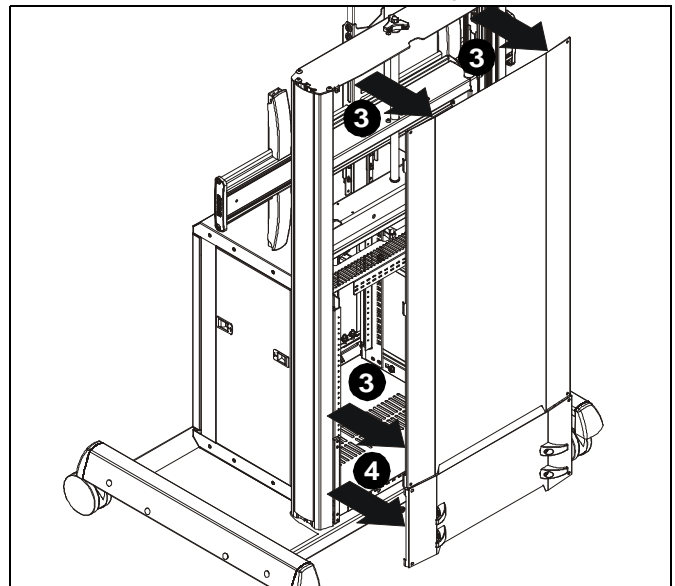


Figure 31



Our Mounts. **Your Vision.**

Chief, a products division of
Milestone AV Technologies

8800-002457 Rev01
©2014 Milestone AV Technologies
www.chiefmfg.com
01/14

USA/International	A 6436 City West Parkway, Eden Prairie, MN 55344 P 800.582.6480 / 952.225.6000 F 877.894.6918 / 952.894.6918
Europe	A Franklinstraat 14, 6003 DK Weert, Netherlands P +31 (0) 495 580 852 F +31 (0) 495 580 845
Asia Pacific	A Office No. 1 on 12/F, Shatin Galleria 18-24 Shan Mei Street Fotan, Shatin, Hong Kong P 852 2145 4099 F 852 2145 4477

