



Quam

SYSTEM 5

1' x 2' CLASS

UL LISTED, 8" O.D. Loudspeaker, 5W-25/70V Transformer

GENERAL DESCRIPTION

The **SYSTEM 5** is a complete, UL Listed, shallow depth, lightweight, 1' x 2' ceiling tile replacement loudspeaker system consisting of an 8C5PAX - 8" O.D. dual cone loudspeaker with a 5 oz. magnet and a TBLU - 5W-25/70V transformer. Molded fiber enclosure is 617 CID. Powder coated steel baffle with standard perforation and four (4) seismic tie-off points. The cable clamp and one (1) 24" "T" rail are included. No assembly required.



INTENDED USE - Indoor Environment

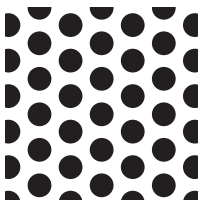
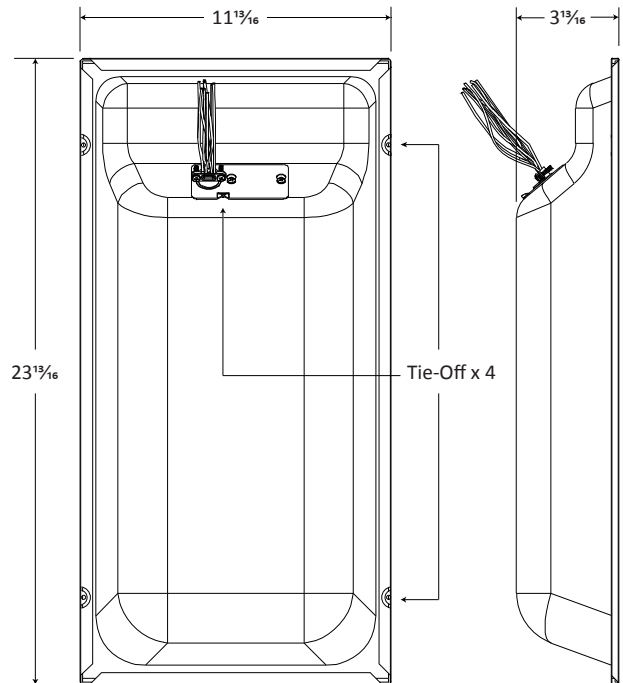
Program Material	Signal tones, voice, and music
UL LISTED 1480	As a General Signaling Device - When installed with supplied installation instructions and requirements of NEC /AHJ. (UEAY, UEAY7- Canada)
UL LISTED 2043	Suitable for use in air-handling spaces
City of Chicago Approved	Material and construction permits use where ceiling plenum is part of the air handling system.
Installation	Mounted parallel to floor plane in a 24" wide suspended ceiling tile grid.

AUDIO SPECIFICATIONS

Average Sensitivity	92 dB SPL, 1W/1M
Loudspeaker Power Rating	12W RMS EIA 426A Standard
Maximum Power Rating	15W @ 8 Ohms
Calculated Output	99 dB-SPL 5W/1M
Magnet Type & Weight	BeFe Ceramic, 5 oz. Nominal
Frequency Response	65 Hz - 17 kHz EIA 426A Standard
Nominal Coverage Angle	100° Included Angle -6 dB / 2 kHz, Half space
Audio Connection	4" Color-Coded Leads
Unit Weight	3.85 Lbs

SYSTEM COMPONENTS

Loudspeaker	8C5PAX
Transformer	5W-25/70V : 5 Tap, Color Coded Leads (5W, 2.5W, 1.25W, 0.63W, 0.31W)



Standard Perforation Pattern
Shown as 1" Square Sample

Recommended construction sequences, installation instructions, and A&E Specifications are available in various formats in the QUAM Architects' and Engineers' Resources section on the web at: www.QuamSpeakers.com					QUAM-NICHOLS COMPANY, INC. 234 East Marquette Rd. Chicago, IL. 60637 Tel: 1-800-NEED-NOW (800-633-3669) Fax: 1-888-NEED-NOW (888-633-3669) e-mail: NeedNow@QNC.com www.QuamSpeakers.com
					© 2013 Quam-Nichols Company reserves the right to make changes and/or improvements to its products at any time and without notice.