



Quam

LOUDSPEAKER ASSEMBLIES

C5/BU/W/VC

CEILING MOUNTED

8" O.D. Loudspeaker with a 5 oz. Magnet, 5W-25/70V Transformer, Screw-Mount Baffle, Volume Control

GENERAL DESCRIPTION

The C5/BU/W/VC consists of an 8C5PAX - 8" O.D. dual cone loudspeaker with a 5 oz. magnet, TBLU - 5W-25/70V transformer with a screwdriver or knob adjusted (knob is included) volume control, and a BR8W - round, screw-mount baffle in a white powder coat finish.

INTENDED USE - Indoor Environment

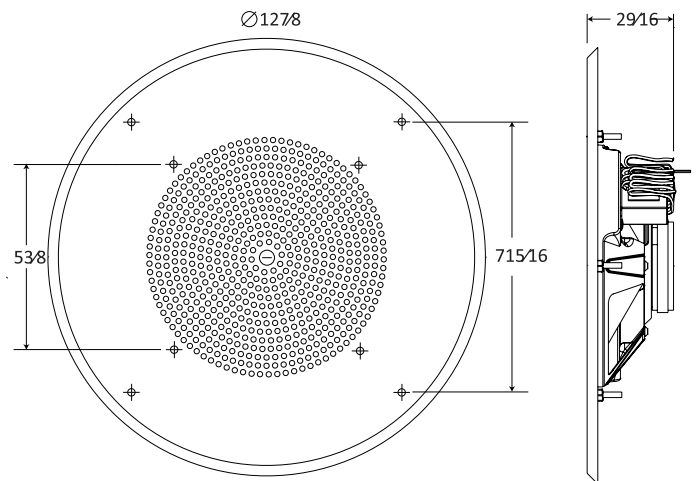
Program Material | Signal tones, voice, and music

AUDIO SPECIFICATIONS

Average Sensitivity	92 dB SPL, 1W/ 1M
Loudspeaker Power Rating	12W RMS, EIA 426A Standard
Maximum Power Rating	15W @ 8 Ohms
Calculated Output	99 dB SPL, 5W/ 1M
Magnet Type & Weight	BeFe Ceramic, 5 oz. Nominal
Frequency Response	65 Hz - 17 kHz EIA 426A Standard
Nominal Coverage Angle	100° Included Angle, -6 dB / 2 kHz, Half space
Audio Connection	7" Color-Coded Leads
Wattage Taps	0.32W, 0.63W, 1.25W, 2.5W, 5W

RECOMMENDED QUAM COMPONENTS

Enclosures	ERD-8, ERD8U
Mounting Device	SSB-2, SSB-3, SSB-7



Recommended construction sequences, installation instructions, and A&E Specifications are available in various formats in the QUAM Architects' and Engineers' Resources section on the web at: www.QuamSpeakers.com

© 2013 Quam-Nichols Company reserves the right to make changes and/or improvements to its products at any time and without notice.



QUAM-NICHOLS COMPANY, INC.
234 East Marquette Rd.
Chicago, IL. 60637
Tel: 1-800-NEED-NOW (800-633-3669)
Fax: 1-888-NEED-NOW (888-633-3669)
e-mail: NeedNow@QNC.com
www.QuamSpeakers.com