



# Quam

SWITCHES

## CIB3

CALL-IN

Call-In Switch with Momentary (Normally Open)  
Rocker Actuator, Single-Gang

### GENERAL DESCRIPTION

The **CIB3** is a single-gang call-in switch with a momentary (normally open) rocker actuator in a brushed stainless steel finish. "CALL" is hot stamped on the switch. #6-32 hardware is included.

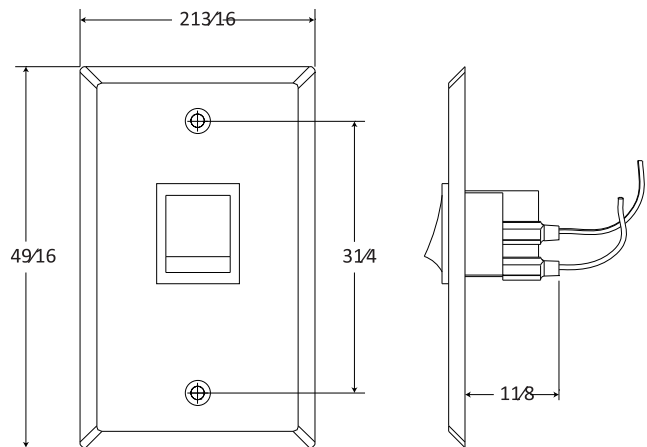
### INTENDED USE - Indoor Environment

### MECHANICAL SPECIFICATIONS

<b>Mounting</b>	Single-Gang Electrical Box, 2 1/8"D
<b>Audio Connection</b>	3" Color Coded Leads, Pre-Cut

### RECOMMENDED QUAM COMPONENTS

Single-Gang Enclosure	Surface Mount : SE4W
-----------------------	----------------------



Recommended construction sequences, installation instructions, and A&E Specifications are available in various formats in the QUAM Architects' and Engineers' Resources section on the web at:  
[www.QuamSpeakers.com](http://www.QuamSpeakers.com)

© 2013 Quam-Nichols Company reserves the right to make changes and/or improvements to its products at any time and without notice.



QUAM-NICHOLS COMPANY, INC.  
234 East Marquette Rd.  
Chicago, IL. 60637  
Tel: 1-800-NEED-NOW (800-633-3669)  
Fax: 1-888-NEED-NOW (888-633-3669)  
e-mail: [NeedNow@QNC.com](mailto:NeedNow@QNC.com)  
[www.QuamSpeakers.com](http://www.QuamSpeakers.com)