

LTC 9210, LTC 9212, LTC 9213, and LTC 9223 Indoor/Outdoor Mounting Equipment

www.boschsecurity.com



BOSCH
Invented for life



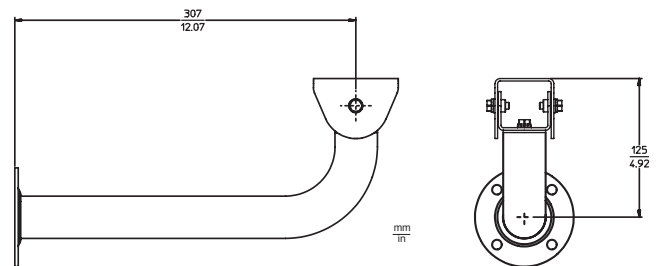
- ▶ Maximum load: 9 kg (20 lb)
- ▶ Attractive Appearance
- ▶ Versatile Design
- ▶ Adjustable Mount Heads
- ▶ Lightweight

This series of indoor/outdoor mounting equipment is designed for fixed camera or camera housing installations up to a rated load of 9 kg (20 lb). All models are made of lightweight aluminum, and feature welded construction, providing an extremely rigid camera mount. All mounts come fully assembled. The LTC 9210/00 is a 200 mm (8 in) column mount, constructed of 38 mm (1.5 in) OD aluminum tubing with a welded surface mounting flange. An adjustable head is included for mounting a camera or housing. The adjustable head employs hex head screws and friction washers. The top mounting plate includes three (3) mounting holes for easy installation. The LTC 9223/00 column mount is similar to the LTC 9210/00, but with a height of 610 mm (24 in). The LTC 9212/00 is a 300 mm (12 in) wall mount constructed of 38 mm (1.5 in) OD aluminum tubing, with a welded surface mounting flange. This unit includes an adjustable head, mounted on a 90 degree angle bend, to permit mounting of a camera or

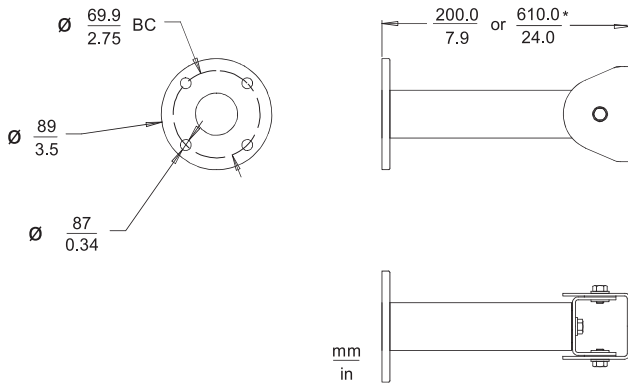
housing. The adjustable head employs hex head screws, friction washers, and three (3) mounting holes for easy installation.

The LTC 9213/01 is a pole mount adaptor bracket, which facilitates mounting of the LTC 9212/00 mount and LTC 9215 Series Feed-through mounts, to a 3- to 15-inch diameter pole. Stainless steel straps are included for ease of mounting.

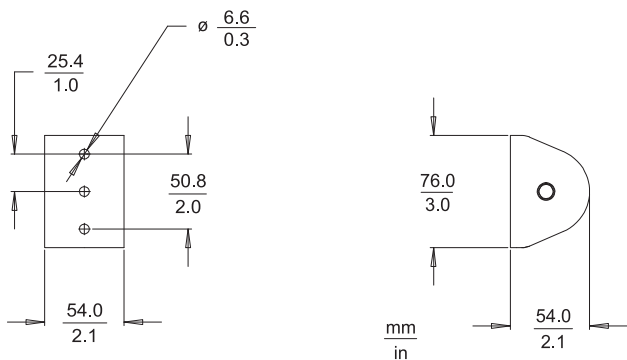
Installation/configuration notes



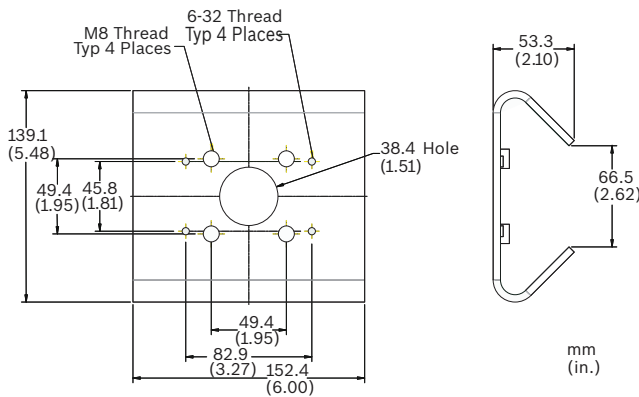
LTC 9212/00 Wall Mount, 300 mm (12 in)



LTC 9210/00 Column Mount, 200 mm (8 in)
LTC 9223/00 Column Mount, 610 mm (24 in)



Dimensional Outline for adjustable head



LTC 9213/01 Pole Mount Adapter

Technical specifications

LTC 9210/00, LTC 9212/00, LTC 9223/00, LTC 9213/01

Indoor/Outdoor Mounts

Maximum Load	9 kg (20 lb)
Mounting Head	Adjustable 360° pan, 180° tilt (N/A for LTC 9213/01)
Finish	Light gray

LTC 9210/00 20-mm (8-inch)

Column Mount

LTC 9223/00 610-mm (24-inch)

Column Mount

Approx. Weights

LTC 9210/00	300 g (0.6 lb)
LTC 9223/00	544 g (1.2 lb)

LTC 9213/01 Pole Mount Adapter

Mounting Hardware	Two (2), 1.5 m (5 ft) stainless steel straps, (2) banding clips, (4) hex head cap screws, and (4) lockwashers are furnished with unit.
-------------------	--

Options	TC9311PM3T strapping tool available. Refer to Data Sheet for Accessories For Domed Housings.
---------	--

Approx. Weight	850 g (1.9 lb)
----------------	----------------

Ordering information

LTC 9210/00 Column Mount

for 8-inch, 9 kg (20 lb) max load, light gray finish
Order number **LTC 9210/00**

LTC 9212/00 Wall Mount

for 12-inch, 9 kg (20 lb) max load, for LTC 938x and LTC 948x series housings, light gray finish
Order number **LTC 9212/00**

LTC 9223/00 Column Mount

for 24-inch, 9 kg (20 lb) max load, light gray finish
Order number **LTC 9223/00**

LTC 9213/01 Pole Mount Adapter

Flexible pole mount adapter for camera mounts (use together with the appropriate wall mount bracket). Max. 9 kg (20 lb); 3 to 15 inch diameter pole; stainless steel straps
Order number **LTC 9213/01**

Represented by:

Americas:

Bosch Security Systems, Inc.
130 Perinton Parkway
Fairport, New York, 14450, USA
Phone: +1 800 289 0096
Fax: +1 585 223 9180
security.sales@us.bosch.com
www.boschsecurity.us

Europe, Middle East, Africa:

Bosch Security Systems B.V.
P.O. Box 80002
5617 BA Eindhoven, The Netherlands
Phone: + 31 40 2577 284
Fax: +31 40 2577 330
emea.securitysystems@bosch.com
www.boschsecurity.com

Asia-Pacific:

Robert Bosch (SEA) Pte Ltd, Security
Systems
11 Bishan Street 21
Singapore 573943
Phone: +65 6571 2808
Fax: +65 6571 2699
apr.securitysystems@bosch.com
www.boschsecurity.asia

China:

Bosch (Shanghai) Security Systems Ltd.
203 Building, No. 333 Fuquan Road
North IBP
Changning District, Shanghai
200335 China
Phone +86 21 22181111
Fax: +86 21 22182398
www.boschsecurity.com.cn

America Latina:

Robert Bosch Ltda Security Systems Division
Via Anhanguera, Km 98
CEP 13065-900
Campinas, Sao Paulo, Brazil
Phone: +55 19 2103 2860
Fax: +55 19 2103 2862
latam.boschsecurity@bosch.com
www.boschsecurity.com