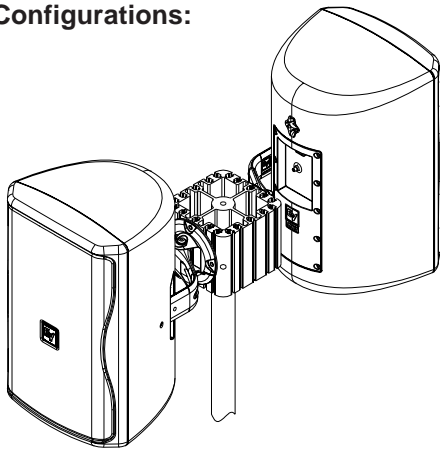


AB-ZE (P/N 301918-001)

The AB-ZE is a versatile array bracket that is used to suspend EVID or ZX1i loudspeaker arrays, using a unique design to minimize assembly time. The AB-ZE kit is compatible with EVID 3.2, EVID 4.2, EVID 6.2, ZX1i-90 and ZX1i-100 loudspeakers, and can be used with either two or four loudspeakers to create 180° and 360° horizontal arrays, respectively. The loudspeakers attach to the array bracket using the Strong Arm Mounts™.

AB-ZE (301918-001) Parts List			
Item	Quantity	Part Number	Description
1	1	702121-001	Bracket, Array, 6" x 6" Extrusion, Black, AB-ZE
2	1	702128-001	Bracket, Safety, Black, AB-ZE
3	16	20413-CP	Nut, 1/4-20, Hex, Nylon Locking, Black Zinc
4	16	63036-CP	Screw, 1/4-20 x 3/4, Hex Socket Head, Cap, Black Zinc
5	16	38843-CP	Washer, .250 x .562 x .065, Flat, Steel, Black Zinc
6	1	38110-517	User Instructions, AB-ZE Array Bracket

Sample Configurations:



Note - Safety Bracket (Item 2) Not Needed for Tripod Configurations

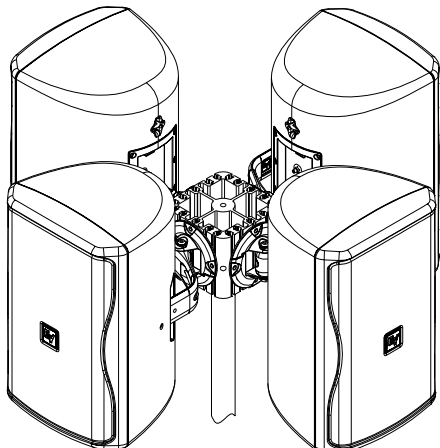


Figure 1:
*Tripod Mounting Configurations
 (2 and 4 Systems)*

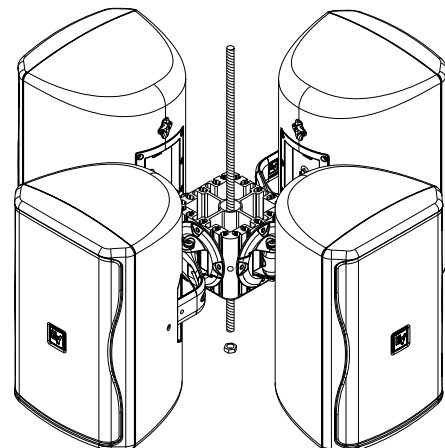
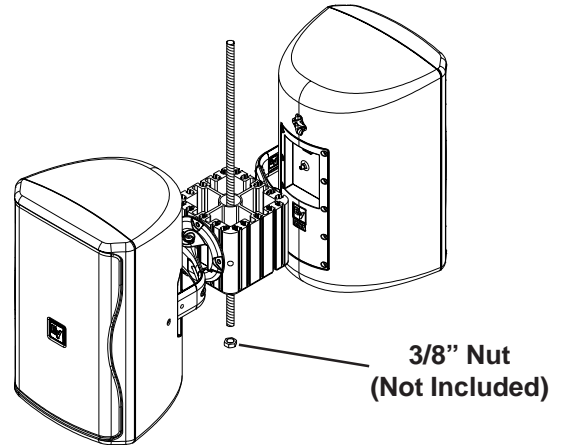
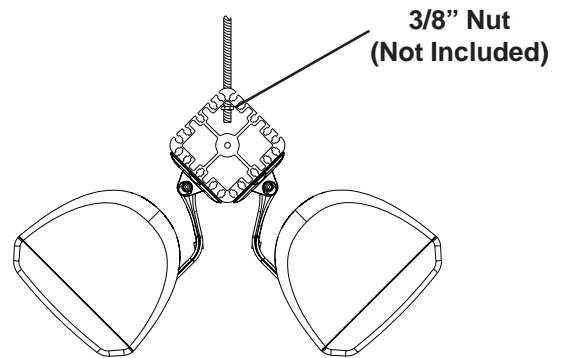


Figure 2:
*Threaded Rod Suspension Configurations
 (2 and 4 Systems, Horizontal and 45°)*

To Attach the Strong Arm Mounts to the Array Bracket:

1. There are five channels on each side of the array bracket that correspond to different Strong Arm Mounts. ZX1i loudspeakers use the center channel and the two outer channels (Figure 3a), EVID 4.2 and 6.2 loudspeakers use the middle three channels (Figure 3b), and the EVID 3.2 uses the center channel only (Figure 3c).
2. Insert the (4) 1/4-20 x 3/4" bolts (Item 4) into the (4) washers (Item 5) and Strong Arm Mount (included with loudspeaker). Fasten the (4) lock nuts (Item 3) on the bolt by hand; the nut should be loose (Figure 4a).
3. Slide the (4) nuts into the appropriate channels on the array bracket (Item 1) until approximately centered (Figure 4b). Securely tighten the bolts using a 3/16" hex wrench (Figure 4c).
4. Repeat steps 1-3 for either two or four loudspeakers.

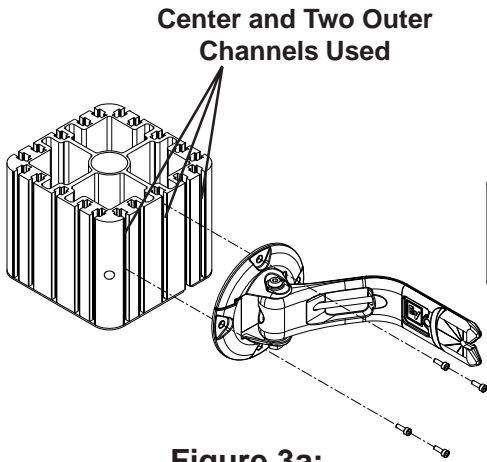


Figure 3a:
Array Bracket Channel
Configuration - ZX1i Series

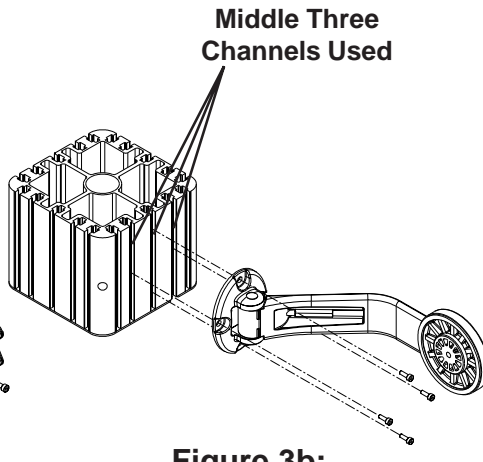


Figure 3b:
Array Bracket Channel
Configuration - EVID 4.2 and 6.2

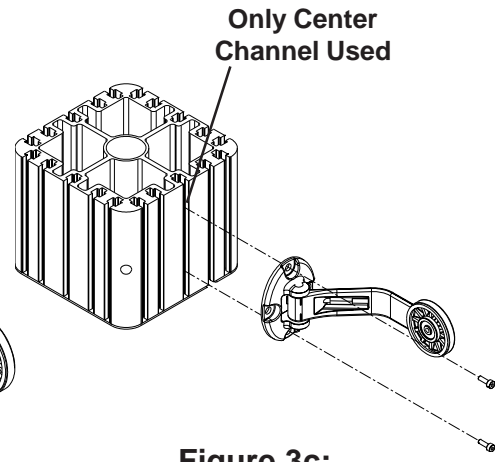


Figure 3c:
Array Bracket Channel
Configuration - EVID 3.2

Note - For Arraying EVID 3.2's, only (2) Nuts, Bolts, and Washers are Needed for Mounting. Only Use the Top and Bottom Holes in the Strong Arm Mount. All Other Models Use (4) Nuts, Bolts, and Washers for Mounting.

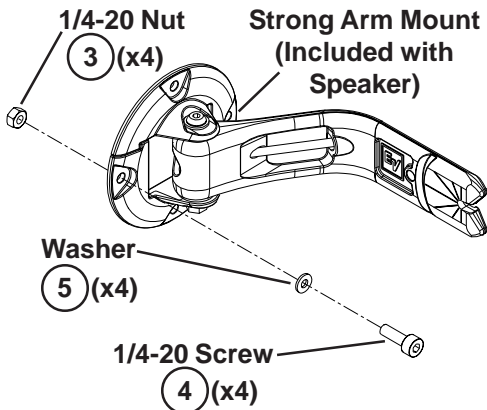


Figure 4a:
Loosely Assembling Fasteners to
Strong Arm Mount

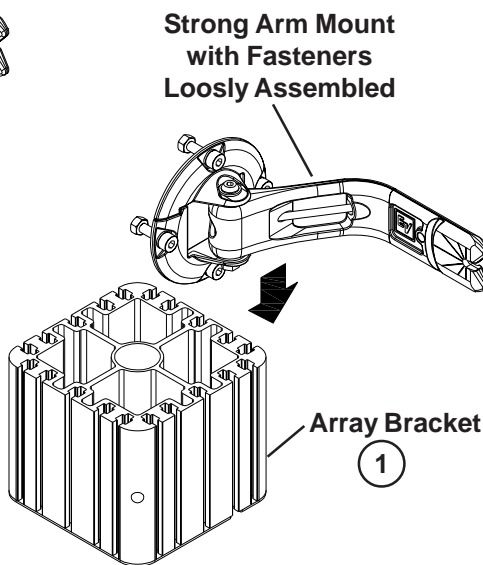


Figure 4b:
Assembling Strong Arm Mount
to Array Bracket Channels

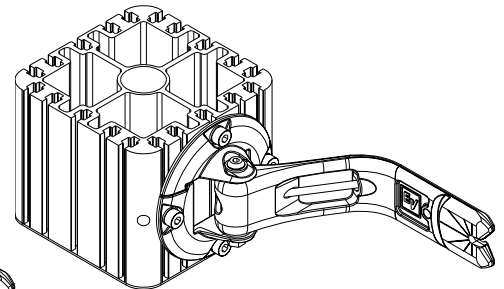


Figure 4c:
Strong Arm Mount to Array
Bracket Completed Assembly

To Attach the Array Bracket to a 3/8" Threaded Rod (Horizontal Configuration):

1. Fasten a 3/8" nut (not included) at least 2.75" from the bottom of the 3/8" threaded rod (Figure 5). Apply non-permanent threadlocker, such as Loctite 242, to the nut.
2. Slide the array bracket assembly and safety bracket (Item 2) over the threaded rod, with the larger diameter hole facing up and the safety bracket tabs locked in the channels of the array bracket (Figure 5).
3. Rotate the array to the desired position, and securely tighten a 3/8" nut on the threaded rod. Apply a non-permanent threadlocker, such as Loctite 242, to the nut, and check to ensure that all threads on the nut are engaged to the threaded rod (Figure 5).
4. It is strongly recommended that safety cables be attached from each loudspeaker to the top of the array bracket for added safety. Loop around the threaded rod and around the safety suspension point of the loudspeaker (Figure 6a).
5. It is strongly recommended that an additional safety cable be attached from the array bracket to a point on the beam for added safety. Loop through the corner hole of the array bracket to a point on the beam that the threaded rod is attached to (Figure 6b).

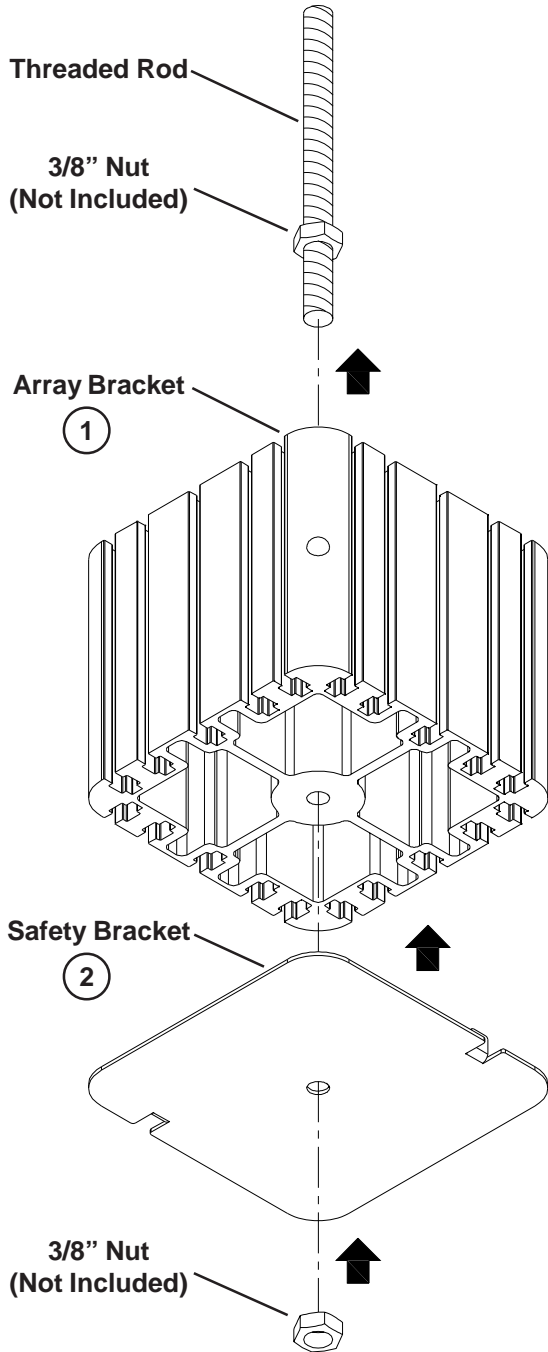


Figure 5:
Attaching Array Bracket Assembly to Threaded Rod

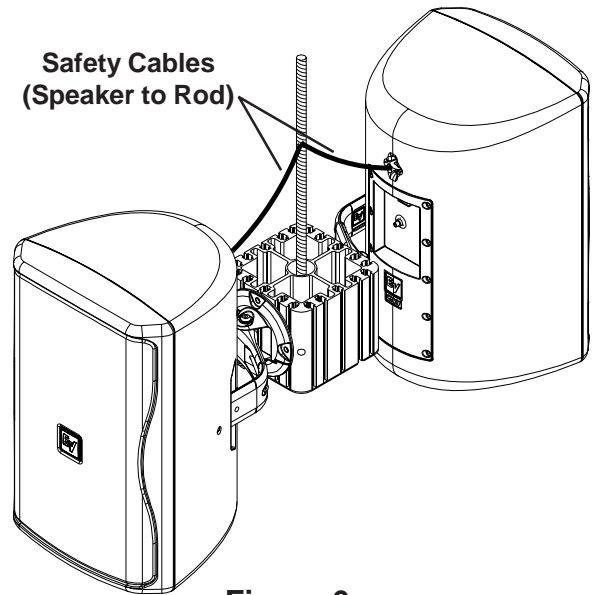


Figure 6a:
Attaching Safety Cables from Each Loudspeaker around Threaded Rod

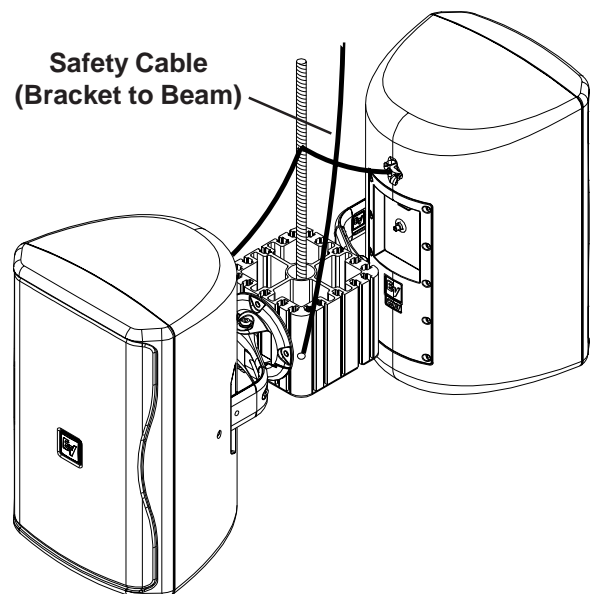


Figure 6b:
Attaching Safety Cables from Array Bracket to Overhead Structural Support Beam

To Attach the Array Bracket to a 3/8" Threaded Rod (Diagonal Configuration):

1. Apply non-permanent threadlocker, such as Loctite 242, to the 3/8" threaded rod and thread the array bracket onto the rod, using the corner hole. Leave approximately 1.5" of the threaded rod inside the array bracket (Figure 7a).
2. Apply non-permanent threadlocker, such as Loctite 242, to the 3/8" threaded rod and fasten the nut to the threaded rod unit it touches the array bracket (Figure 7b). Check to ensure that all threads on the nut are engaged to the threaded rod.
3. It is strongly recommended that safety cables be attached from each loudspeaker to the top of the array bracket for added safety. Loop around the threaded rod and around the safety suspension point of the loudspeaker (Figure 8).

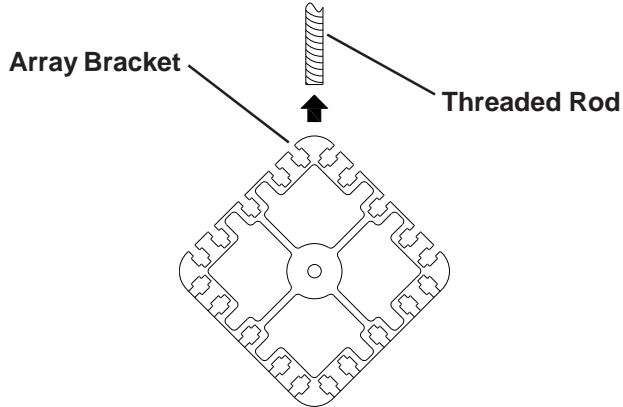


Figure 7a:
*Threading Array Bracket onto
Bottom of Threaded Rod*

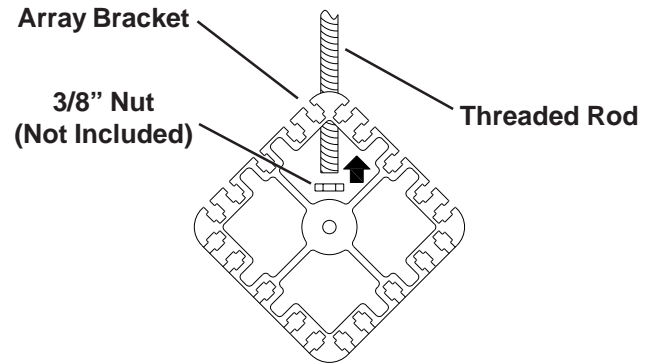


Figure 7b:
*Threading Nut to Bottom of
Threaded Rod*

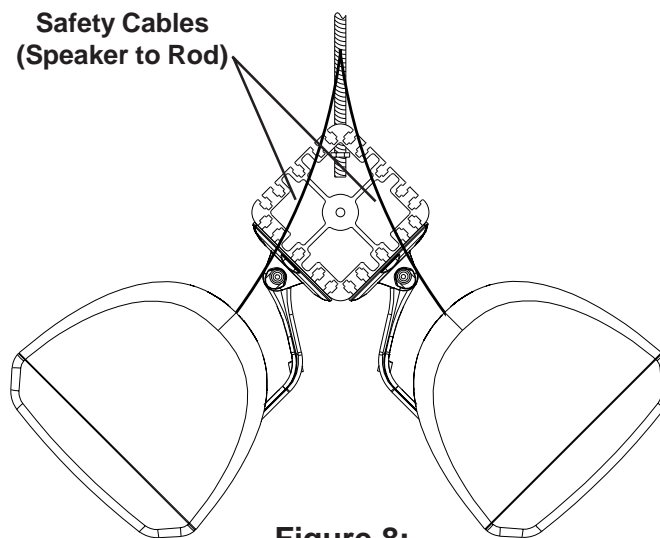


Figure 8:
*Attaching Safety Cables from Each
Loudspeaker around Threaded Rod*



WARNING: Suspending any object is potentially dangerous and should only be attempted by individuals who have a thorough knowledge of the techniques and regulations of rigging objects overhead. Electro-Voice® strongly recommends that all speakers be suspended taking into account all current national, federal, state and local regulations. It is the responsibility of the installer to ensure that all speakers are safely installed in accordance with all such regulations. If EVID or ZX1i speakers are suspended, Electro-Voice® strongly recommends that the system be inspected at least once a year. If any sign of weakness or damage is detected, remedial action should be taken immediately.

EV Electro-Voice®

12000 Portland Avenue South, Burnsville, MN 55337
Phone: 952/884-4051, Fax: 952/884-0043

www.electrovoice.com

© Telex Communications, Inc. 8/2006

Part Number 38110-517 Rev A

U.S.A. and Canada only. For customer orders,
contact the Customer Service department at
800/392-3497 Fax: 800/955-6831

Europe, Africa and Middle East only. For customer orders,
contact the Customer Service department at
49 9421-706 0 Fax: 49 9421-706 265

For warranty information, contact the Service Repair department at:
616/695-6831 or 800/685-2606

For technical assistance, contact Technical Support at:

866/78AUDIO

Specifications subject to change without notice.