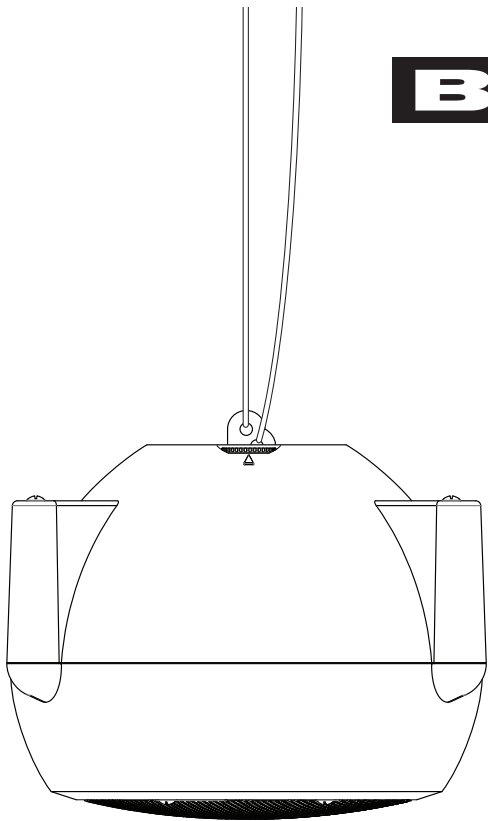


BOGEN®



MPS1

Mini Pendant Speaker

Models MPS1B/MPS1W

Installation and Use Manual

Power Tap Selection

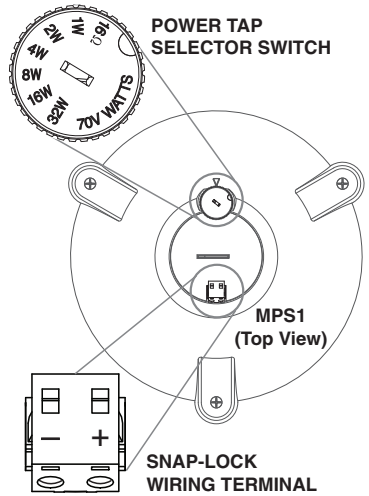
16-ohm or 70V

The Power Tap selector switch is used to set the appropriate power level or impedance for your system. Rotate the switch until the power level you require lines up with arrow.

IMPORTANT: When connecting to a 70V amplifier, make sure that the MPS1 Tap Selector switch IS NOT set in the “16Ω” position.

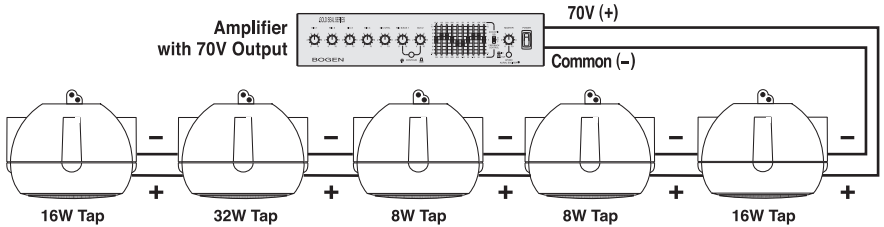
Speaker Connection and Polarity

Speaker wiring is terminated at a snap-lock input connector, with a positive and negative terminal. All wiring should be done prior to installation and then plugged into the rear of the MPS1. Wire all speaker polarities the same way.



70V System Configurations

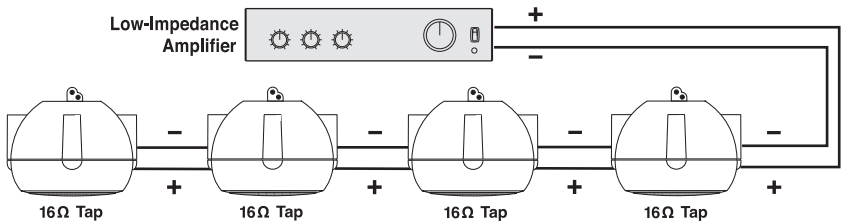
When designing a 70V system, the total of all power tap settings of all the connected speakers CANNOT EXCEED the output power of the 70V amplifier (amplifier power can exceed the sum of the speaker loads).



EXAMPLE: $16 + 32 + 8 + 8 + 16 = 80$ Watts minimum amplifier output rating.

Low-Impedance System Configurations

When wiring together multiple MPS1 speakers that are set to 16 ohms, it is important to calculate (using Ohm’s Law) the total load that these speakers present to the amplifier. The total load impedance of the interconnected speakers cannot be lower than the minimum load impedance rating of the low-impedance amplifier. Also, care must be taken to ensure the amplifier cannot overdrive the speaker’s maximum power rating.

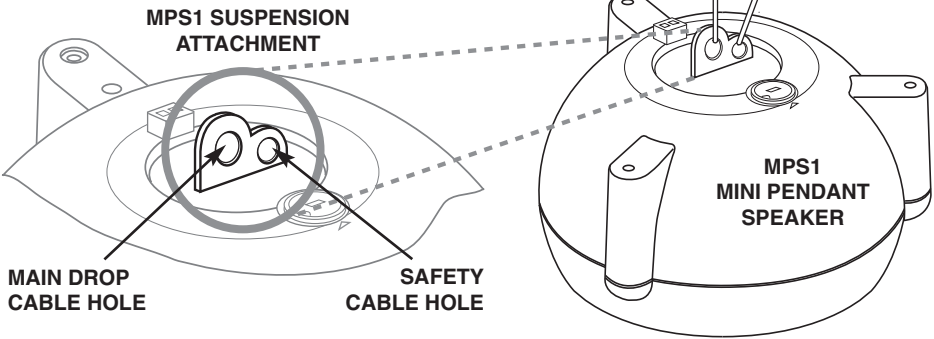
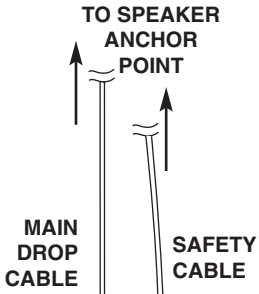



EXAMPLE: Four 16-ohm speakers in parallel = 4 ohms. Also in this example, the maximum amplifier output power rating should not exceed 200W (4 X 50W, the MPS1 max. power is 50W).

MPS1 Speaker Cable Connections and Suspension Instructions

In addition to the Main suspension Drop Cable, a backup Safety Cable is required for proper installation. Use wire rope or other drop line rated for at least 100 lbs. to ensure a safety margin. The attachment point on the structure from which the speaker is to be anchored also must be able to handle 100 lbs.

NOTE: If using suspension cables with a cladding, be sure to strip away coating where any clamping device is being used so that bare wire cores of the cable are being clamped.





ALONG WITH THE MAIN DROP CABLE, YOU MUST ALSO USE A SAFETY CABLE WHEN SUSPENDING AN MPS1 PENDANT SPEAKER. BE SURE TO SECURE ALL RIGGING POINTS AND FOLLOW ALL THE CABLE MANUFACTURER'S MATERIAL RECOMMENDATIONS & INSTALLATION INSTRUCTIONS. FAILURE TO DO SO MAY RESULT IN PROPERTY DAMAGE, INJURY OR DEATH, AND LEGAL LIABILITY FOR YOU AND/OR YOUR COMPANY.

Attach the main drop cable to the MPS1 Main Drop Cable hole in the Suspension Attachment located on the top of the speaker. This Main Drop Cable will be the primary connection that will hold all the suspended speaker's weight to the anchor point.

Likewise, attach the Safety Cable to the Safety Cable hole in the Suspension Attachment. This Safety Cable is meant to be a safeguard only, so when attaching to an anchor point allow for a small amount of slack in the wire, as the Safety Cable should not bear any of the speaker's direct suspension weight to keep the speaker hanging level.

IMPORTANT: The MPS1 Mini Pendant is not an outdoor speaker. DO NOT expose the speaker to rain or moisture. The MPS1 should be installed by qualified personnel.

Technical Specifications

Frequency Response (-10dB)*	50Hz to 14kHz
Driver Complement	4-1/2" Dual-Cone Wide-Range
Sensitivity (1W/1m)	85dB (Average 100Hz – 10kHz)
Impedance Range	Low (16 Ohms) / High (70V)
Power Input (Maximum)	50W @ 16 Ohms; 32W @ 70V
Power Settings (in watts)**	70V: 32, 16, 8, 4, 2, 1
Enclosure Material	ABS Plastic Injection-Molded
Grille Material	Powder-Coated Perforated Steel
Terminations	2 Terminal Quick-Disconnect Connector
Product Weight	4 lb. 8 oz.
Speaker Dimensions	12" Dia.. x 7-7/8" High
Included Accessory	(1) Quick-Disconnect Input Connector
Optional Accessories	Hanging Cable Kit (CK10, white or black)
Enclosure Finish & Color	Textured White or Black

* Free-Space Response, 16-ohm input

** Rear Panel switch selected

Limited Warranty; Exclusion of Certain Damages

The Bogen **MPS1 Mini Pendant Speaker** is warranted to be free from defects in material or workmanship for two (2) years from the date of sale to the original purchaser. Any part of the product covered by this warranty that, with normal installation and use, becomes defective will be repaired or replaced by Bogen, at our option, provided the product is shipped insured and prepaid to: Bogen Factory Service Department, 50 Spring Street, Ramsey, NJ 07446, USA. The product will be returned to you freight prepaid. This warranty does not extend to any of our products that have been subjected to abuse, misuse, improper storage, neglect, accident, improper installation or have been modified or repaired or altered in any manner whatsoever, or where the serial number or date code has been removed or defaced.

THE FOREGOING LIMITED WARRANTY IS BOGEN'S SOLE AND EXCLUSIVE WARRANTY AND THE PURCHASER'S SOLE AND EXCLUSIVE REMEDY. BOGEN MAKES NO OTHER WARRANTIES OF ANY KIND, EITHER EXPRESS OR IMPLIED, AND ALL IMPLIED WARRANTIES OF MERCHANTABILITY OR FITNESS FOR A PARTICULAR PURPOSE ARE HEREBY DISCLAIMED AND EXCLUDED TO THE MAXIMUM EXTENT ALLOWABLE BY LAW. Bogen's liability arising out of the manufacture, sale or supplying of products or their use or disposition, whether based upon warranty, contract, tort or otherwise, shall be limited to the price of the product. **IN NO EVENT SHALL BOGEN BE LIABLE FOR SPECIAL, INCIDENTAL OR CONSEQUENTIAL DAMAGES (INCLUDING, BUT NOT LIMITED TO, LOSS OF PROFITS, LOSS OF DATA OR LOSS OF USE DAMAGES) ARISING OUT OF THE MANUFACTURE, SALE OR SUPPLYING OF PRODUCTS, EVEN IF BOGEN HAS BEEN ADVISED OF THE POSSIBILITY OF SUCH DAMAGES OR LOSSES.** Some States do not allow the exclusion or limitation of incidental or consequential damages, so the above limitation or exclusion may not apply to you. This warranty gives you specific legal rights, and you may also have other rights which vary from State to State.

Products that are out of warranty will also be repaired by the Bogen Factory Service Department — same address as above or call 201-934-8500. The parts and labor involved in these repairs are warranted for 90 days when repaired by the Bogen Factory Service Department. All shipping charges in addition to parts and labor charges will be at the owner's expense. All returns require a Return Authorization number.

7/22/2008

BOGEN®
COMMUNICATIONS, INC.

50 Spring Street, Ramsey, NJ 07446 USA

Tel. 201-934-8500 • Fax: 201-934-9832

www.bogen.com