

SA771PU



Display size  
**46"- 90"**



Max load  
**150lb (68kg)**

**SMARTMOUNT**

# Articulating Wall Arm

FOR 46" TO 90" DISPLAYS

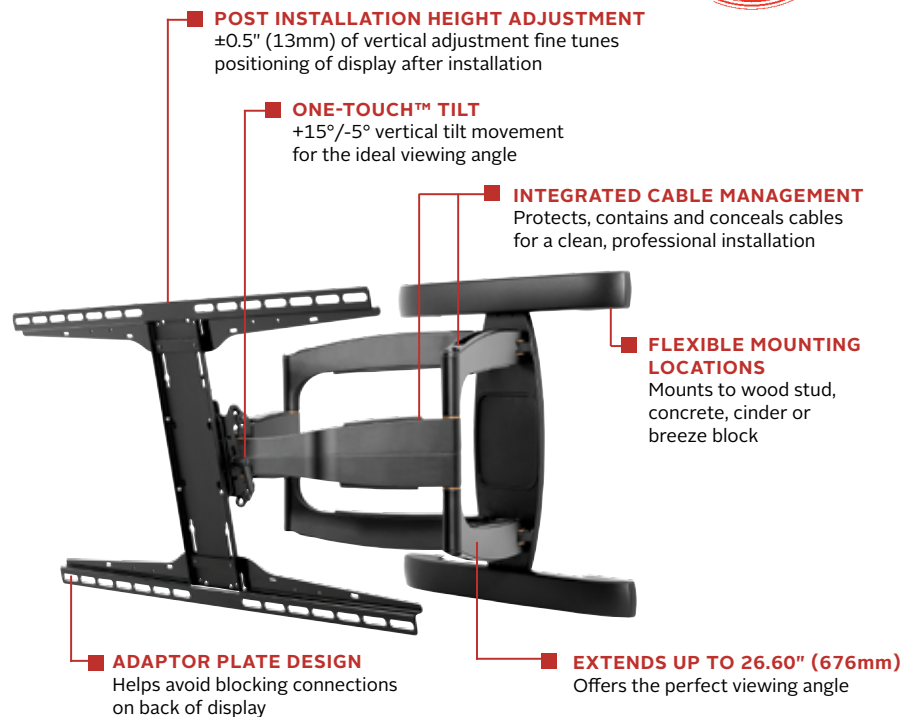
The SmartMount® Articulating Wall Arm series offers the most versatile installation features and mounting options. The I-Shaped Adaptor plate's innovative design helps avoid blocking connections on back of display. Vertical adjustment ability allows for post installation leveling, making it easier than ever to find the perfect display position. With SA771PU, extend the display up to 26.60" (676mm) or fully-retract it to just 3.10" (79mm) from the wall for the perfect viewing position. The display can now simply be installed by a single person with the Hook-and-Hang™ system. One-Touch™ tilt technology offers +15°/-5° vertical tilt movement for the ideal viewing angle. Integrated cable management protects, contains and conceals cables for a clean installation.



## Additional Features

- ✓ Retracts to hold display just 3.10" (79mm) from the wall
- ✓ ±90° of pivot allows for perfect display positioning
- ✓ Easy leveling ±5° after display installation
- ✓ Quick and easy, Hook-and-Hang™ one-person installation
- ✓ The I-Shaped Adaptor plate's innovative design helps avoid blocking connections on back of display
- ✓ Universal mount fits displays with mounting patterns 200 x 100 to 800 x 400mm
- ✓ Landscape or portrait mounting options increases display versatility
- ✓ Dual arms for a more robust installation
- ✓ Stylish wall plate covers create a finished look and are easy to install and remove
- ✓ Open wall plate design increases electrical and cable management options
- ✓ Removable cover for wall plate knockout included
- ✓ Includes all necessary wall and display attachment hardware
- ✓ Design is UL listed and tested to four times stated load capacity

*Full-motion capabilities allow you to swivel, tilt, extend or retract your display for the perfect viewing angle.*



Swivel, tilt, extend or retract the display for the perfect viewing angle



Integrated cable management keeps cords and cables out of the way



Comes in color packaging with included installation hardware and easy to follow instructions.



Please visit [peerless-av.com/en-us/patents](http://peerless-av.com/en-us/patents) for patent information.

info@peerless-av.com  
peerless-av.com

**peerless-AV**®

<b>SA771PU</b>	SmartMount® Articulating Wall Arm for 39" to 75" Displays
----------------	---

**Product Specifications**

	DIMENSIONS (W x H x D)	PRODUCT WEIGHT	LOAD CAPACITY	FINISH	AVAILABLE COLORS
<b>SA771PU</b>	32.25" x 19.87" x 3.10"-26.60" (819 x 505 x 79-676mm)	32.7lb (14.8kg)	150lb (68kg)	Scratch resistant fused epoxy	Semi-gloss black

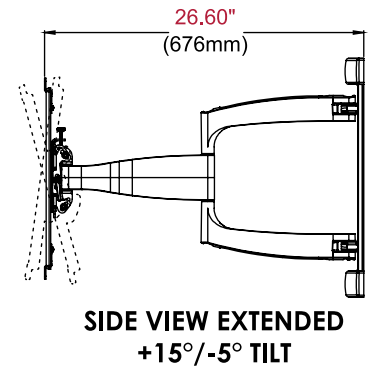
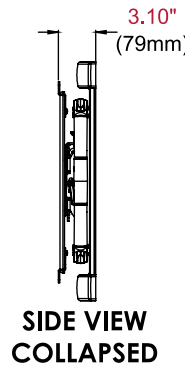
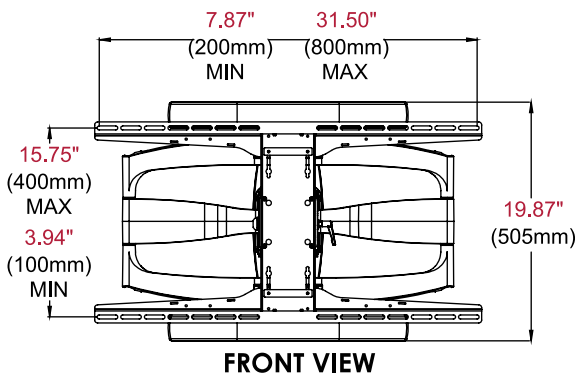
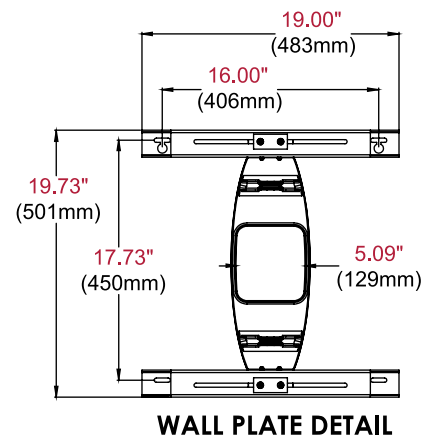
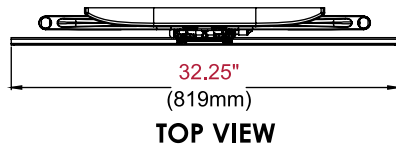
**Package Specifications**

	PACKAGE SIZE (W x H x D)	PACKAGE SHIP WEIGHT	PACKAGE UPC CODE	PACKAGE CONTENTS	UNITS IN PACKAGE
<b>SA771PU</b>	40.75" x 23.75" x 4.75" (1035 x 603 x 121mm)	42.0lb (19.1kg)	00735029266624	Wall mount, wall and display installation hardware, installation instructions	1

**Accessories**

- ACCXT400:** Recessed Power Outlet with Low Voltage In-Wall Cable Routing
- IBA4-W:** Easy Mount Recessed Low Voltage Cable Plate
- IBA5-W:** Recessed Low Voltage Media Plate with Duplex Surge Suppressor
- WSP756:** Metal Stud Wall Plate

All dimensions = inch (mm)



**Architect Specifications**

The Smartmount® Articulating Wall Arm shall be a Peerless-AV model SA771PU and shall be located where indicated on the plans. Assembly and installation shall be done according to instructions provided by the manufacturer.

Visit [peerless-av.com](http://peerless-av.com) to see the complete line of AV solutions from Peerless-AV, including outdoor displays, wireless, kiosks, digital audio, display mounts, projector mounts, carts/stands, and a full assortment of accessories.

**Peerless-AV**  
2300 White Oak Circle  
Aurora, IL 60502 USA  
**(800) 865-2112**  
**(630) 375-5100**  
**Fax: (800) 359-6500**

**Peerless-AV Europe**  
Unit 3 Watford Interchange  
Colonial Way, Watford  
Herts, WD24 4WP  
United Kingdom  
**+44 (0) 1923 200100**  
**Fax: +44 (0) 1923 200101**

**Peerless-AV de México**  
Ave de las Industrias 413  
Parque Industrial Escobedo  
Escobedo, N.L.,  
Mexico 66050  
**+52 (81) 8384-8300**  
**Fax: +52 (81) 8384-8360**

