

## MEDC Series



XB16



XB15 Pipe Mount (with cast guard)

These listed strobes have been designed for use in potentially explosive atmospheres and harsh environmental conditions. The enclosures are suitable for use offshore or onshore, where a lightweight product combined with corrosion resistance is required.

The housing is manufactured from a U.V. stable, glass reinforced polyester, with the lens manufactured from a U.V. stable polycarbonate. Stainless steel screws are used, ensuring a totally corrosion-free product.

The strobes contain supervisory diode and four wire leads for fire alarm applications. This strobe is also available UL 1971 (ADA) Listed for hearing impaired applications.

Units can be painted to customer specification and supplied with identification labels.

### Applications:

- Condition signaling
- Security alert
- Equipment obstruction warning
- Emergency evacuation signaling

### Features and Benefits:

- Pipe mount with 1/2" NPT entry
- Corrosion resistant GRP enclosure
- XB16 580,000 peak candlepower  
XB15 520,000 peak candlepower
- Polycarbonate lens, various colors available†
- 4 wire diode monitored board
- Optional relay initiate
- Optional lens guard

†UL 1971 version available with clear lens only (XB16 only).

\*Conforms to UL regulated voltage.

### Certifications and Compliances:

- UL Listed for USA and Canada
  - Hazardous locations for USA and Canada  
Class I, Div. 2, Groups A, B, C, D\*  
UL 1971 compliant version available
  - Ordinary locations: Visual Signal Device
- NEMA 4X and 6, IP66 & 67
- Certified temperature
  - 67°F to +158°F
  - 55°C to +70°C

### Typical Industries:

- Utility gas plants
- Wastewater treatment plants
- Mining
- Petroleum refineries
- Chemical and petrochemical
- Pulp and paper

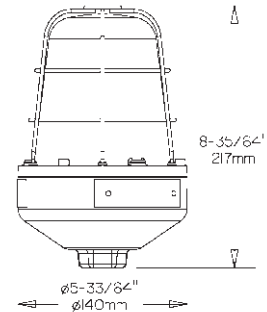
MEDC Series

**XB16 UL**

**10 Joule Flashing Xenon—Hazardous & Ordinary Locations**



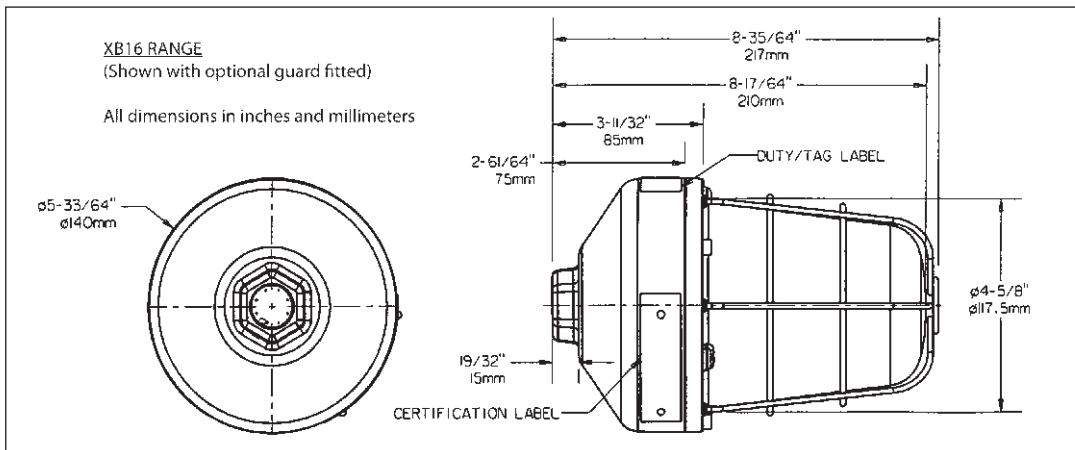
<b>Certification UL Listed for:</b>	cULus, UL 1971 compliant Class I, Div. 2, Groups A, B, C, D
<b>Certified Ambient Temperature</b>	-67°F to +158°F -55°C to +70°C
<b>Ingress Protection</b>	NEMA 4X & 6 IP66 & 67
<b>Material</b>	Corrosion-free GRP
<b>Entries</b>	Standard 1 x 1/2" NPT
<b>Weight</b>	2.2lb/1kg
<b>Options</b>	Body & lens color, lens guard, voltages 12–48V DC, 110–254V AC



Certification	Voltage	Lens Color	Ordering Code	Cat. #	Standard Product Configuration
UL 1971 compliant	24V DC	Clear	29600023	<b>XB16US02460CYNN</b>	<b>UL 1971 Listed for signaling devices for the hearing impaired. Suitable for fire alarm indication.</b> 10 joule beacon, 60 flashes per minute, lens guard, pipe mounting, 1 x 3/4" NPT entry, natural black enclosure
UL, cUL Listed, Class I, Div. 2, Groups A, B, C, D	120V AC	Blue	869406	<b>XB16UL12060BYNN</b>	10 joules, 60 flashes per minute, 1 x 3/4" NPT entry, 240 Cd, lens guard, natural black finish
UL, cUL Listed, Class I, Div. 2, Groups A, B, C, D	120V AC	Red	869407	<b>XB16UL12060RYNN</b>	
UL, cUL Listed, Class I, Div. 2, Groups A, B, C, D	120V AC	Amber	869408	<b>XB16UL12060AYNN</b>	
UL, cUL Listed, Class I, Div. 2, Groups A, B, C, D	120V AC	Clear	29600013	<b>XB16UL12060CYNN</b>	10 joule beacon, 60 flashes per minute, lens guard, pipe mounting, 1 x 3/4" NPT entry, natural black enclosure
UL, cUL Listed, Class I, Div. 2, Groups A, B, C, D	120V AC	Green	29600014	<b>XB16UL12060GYNN</b>	
UL, cUL Listed, Class I, Div. 2, Groups A, B, C, D	120V AC	Blue	29600011	<b>XB16UL12060BYNN</b>	
UL, cUL Listed, Class I, Div. 2, Groups A, B, C, D	120V AC	Red	29600003	<b>XB16UL12060RYNN</b>	
UL, cUL Listed, Class I, Div. 2, Groups A, B, C, D	120V AC	Amber	29600004	<b>XB16UL12060AYNN</b>	
UL, cUL Listed, Class I, Div. 2, Groups A, B, C, D	24V DC	Green	29600016	<b>XB16UL02460GYNN</b>	10 joule beacon, 60 flashes per minute, lens guard, pipe mounting, 1 x 3/4" NPT entry, natural black enclosure
UL, cUL Listed, Class I, Div. 2, Groups A, B, C, D	24V DC	Blue	29600017	<b>XB16UL02460BYNN</b>	
UL, cUL Listed, Class I, Div. 2, Groups A, B, C, D	24V DC	Red	869410	<b>XB16UL02460RYNN</b>	
UL, cUL Listed, Class I, Div. 2, Groups A, B, C, D	24V DC	Amber	869411	<b>XB16UL02460AYNN</b>	

2S

MEDC Series



Specification – XB16UL Unit

**Certification:** UL Listed for USA and Canada:  
 – Hazardous locations for USA and Canada  
 Class I, Div. 2, Groups A, B, C, D  
 UL listing No. E251185  
 – Ordinary locations: Visual Signal Device: UL1638  
 UL listing No. E251185  
 – Hazardous locations for hearing impaired: UL1971  
 UL listing No. E251185

**Material:** Body: Glass reinforced polyester  
 Lens: U.V. stable polycarbonate  
 Lens screws: stainless steel 316

**Finish:** Natural black or painted to customer specification

**Voltage:** 24, 48V DC  
 110, 120, 230, 240, 254V AC  
 Conforms to UL regulated voltage output (12V DC, 24V DC, 120V AC, 240V AC)

**Certified Temperature:** –67°F to +158°F (–55°C to +70°C)

**Tube Energy:** 10 joules

**Tube Life:** > 1 × 10<sup>6</sup> flashes

**Weight:** 2.2lb/1.0kg

**Ingress Protection:** NEMA 4X & 6, IP66 & IP67

**Entries:** Standard 1 × 1/2" NPT pipe mount

**Terminals:** 8 × 14AWG

**Labels:** Tag/Duty label option

Electrical Ratings:

For Hazardous Locations and Ordinary Locations (UL1638) Units

	DC		AC				
	24	48	110	120	230	240	254
Voltage	24	48	110	120	230	240	254
Current (A) at 60 fpm	0.89	0.30	0.38	0.38	0.22	0.22	0.18
Current (A) at 80 fpm	0.89	0.30	0.38	0.38	0.22	0.22	0.18
Current (A) at 120 fpm	0.89	0.30	0.38	0.38	0.22	0.22	0.18

Effective intensity (Cd): 240 at 80 f.p.m.  
 Peak candlepower: 580,000 (Peak candlepower is the maximum light intensity generated by a flashing light during its light pulse)

For UL1971 Units Only

	DC		AC				
	24	48	110	120	230	240	254
Voltage	24	48	110	120	230	240	254
Current (A) at 60 fpm	1.22	1.52	0.38	0.38	0.78	0.78	0.18
Current (A) at 80 fpm	1.22	1.52	0.38	0.38	0.78	0.78	0.18
Current (A) at 120 fpm	1.22	1.52	0.38	0.38	0.78	0.78	0.18

Effective intensity (Cd): 240 at 80 fpm.  
 Peak candlepower: 580,000 (Peak candlepower is the maximum light intensity generated by a flashing light during its light pulse)

On UL1971 units, max. current rating is based on in-rush current. This is why the current ratings are not proportional as with other beacons/strobes.  
 UL 1971 On-axis output: 15 Cd.

**Note:** 24V DC units are certified for use in regulated 24V DC supplies (16–33V AC).  
 110/120V DC units are certified for use on regulated 120V AC supplies (96–132V AC).  
 230/240V DC units are certified for use on regulated 240V AC supplies (192–264V AC).

Multiplying factor for colored lenses:

Red	Blue	Amber	Green	Yellow
0.15	0.12	0.51	0.49	0.86

Ordering Requirements

The following code is designed to help in the selection of the correct unit. Build up the reference number by inserting the code for each component into the appropriate box.

Model	Certification	Voltage	Flashrate	Lens Color	Guard	Options	Unit Finish
<b>XB16</b>	<b>UL</b>		<b>60</b>			<b>N</b>	<b>N</b>

Certification	Code	Voltage	Code
UL	UL	12V DC	012
		24V DC	024
		110V AC	110
		120V AC	120
		240V AC	240

Lens Flashrate	Code
80	80 fpm
120	120 fpm

Color	Code
Red	R
Blue	B
Green	G
Amber	A
Yellow	Y
Clear	C

Guard	Code
Yes	Y
None	N