

# Eluxa colored lens strobes



## Description

The Wheelock Eluxa colored lens strobes by Eaton feature an advanced power saving LED technology in a sleek, modern, single-gang enclosure that will provide high energy efficiency and an aesthetically pleasing low profile design that will blend with the building's interior décor. With a full range of candela settings in 1 device, the Eluxa ELST colored lens appliances are ideal for indoor, wall- and ceiling-mount mass notification and emergency communication applications.

## High efficiency, LED technology

Eaton's high energy efficient technology leads the industry in lowest current draw across the full candela range, which reduces overall power consumption and costs in fire alarm systems. As the first notification appliances in the industry to utilize LED as the light source, this breakthrough and patented optical design, resulting in best-in-class efficiency, enables material and system cost savings, allowing for a greater number of appliances on the notification appliance circuit and fewer power supplies. All strobe models feature six candela settings. Amber lens candela settings include 15, 30, 75, 110, 135, 185 cd for wall models and 15, 30, 75, 110, 150, 177 cd for ceiling models. Blue candela settings include 5, 10, 20, 30, 40, 50 cd for wall models and 5, 12, 30, 40, 50, 65 cd for ceiling models.

## Low profile design and rich feature set

With the industry's smallest footprint, the Eluxa strobes are aesthetically pleasing to building owners as the low profile design does not detract from the interior decor. Eluxa is feature rich with 6 candela settings in 1 device, pre-wire/pre-test via mounting plate with hinged feature for ease-of-installation, single-gang design (wall models), and no tools needed for setting changes. These products are suitable for indoor wall and ceiling mount applications. The ELST strobes are 24V operation.

## Approvals and synchronization

Eaton's Eluxa strobes meet the 20 millisecond light pulse duration requirements of the 2016 edition of NFPA 72. By meeting this latest requirement, xenon and LED devices can now be in the same field of view.

The Eluxa colored lens strobes are listed under UL Standards 1638 for fire alarm and signaling and 1971 for light distribution and ULC listed under CAN/ULC-S526 (Visual Signal Appliances). The appliances are Restriction of Hazardous Substances (RoHS) compliant and contain no mercury or other hazardous substances.

In addition, the Eluxa product line has been UL/ULC listed as compatible with all Fire Alarm Control Panels (FACP) and accessories that have been determined to be compatible with Exceder LED3 and Wheelock RSS strobe-based products including the RSS, CH, E, EH, ET, ST, HS, MT, S8, SA, STH and Z Series. The listing also includes the ability to install the Eluxa strobes in the same notification zone and field of view with any Wheelock RSS and Exceder LED3 strobe models.

**EATON**

Powering Business Worldwide

## Features

- Energy Efficient
  - Patented LED technology provides industry's lowest current draw
  - Fewer power supplies required, smaller wire gage, reduced wire runs
- Low-Profile Design
  - One of the smallest, most compact single-gang designs
  - Sleek, modern aesthetics with no visible mounting screws
- Amber and blue lens and special lettering models are available
- 6 Field selectable settings in 1 device
  - Amber Lens Wall: 15, 30, 75, 110, 135, 185 cd
  - Amber Lens Ceiling: 15, 30, 75, 110, 150, 177 cd
  - Blue Lens Wall- 5, 10, 20, 30, 40, 50 cd
  - Blue Lens Ceiling- 5, 12, 30, 40, 50, 65 cd
- Easy-to-Install
  - Mounting plate included with all models: Convenient capture hinge allows installers to easily hold the device while fastening the single-mount screw in place
  - Pre-wire/pre-test capability to check for wiring and ground faults prior to appliance installation
  - Finger slide switches—No tools needed for setting changes
  - IN/OUT screw terminals using #12 to #18 AWG wires
  - Mounting Options include Eluxa ELSBB, any single-gang back-box and to 4" square with adapter kit for wall models and Exceder LSPKBB-C backboxes, 4" square, 1 1/2" or 2 1/8" deep and 4" Octagonal, 1 1/2" or 2 1/8" deep for ceiling models
- Strobe Synchronization Components
  - Meet synchronizing standards with Wheelock's DSM Sync Modules, Power Supplies or SAFEPATH products
  - Ability to mix xenon and LED strobes in the same field of view
- Compliance
  - NFPA 72 2016 - 20 ms flash duration requirements
  - UL 1638, Light output meets UL 1971, ULC-S526
  - California State Fire Marshal (CSFM)
- Applications
  - Designed for effective alerting of employees or personnel in commercial, industrial, military or government applications, the amber strobes are ideal for Mass Notification and Emergency Communications.

**Note:** Please read these specifications and associated installation instructions, before using, specifying, or installing this product. Visit [Eaton.com/Lifesafetynotification](http://Eaton.com/Lifesafetynotification) for current installation instructions.

## General Notes

- Strobes are designed to flash at 1 flash per second minimum over their "Regulated Voltage Range." Note that NFPA-72 specifies a flash rate of 1 to 2 flashes per second and ADA Guidelines specify a flash rate of 1 to 3 flashes per second.
- All candela ratings represent minimum effective Strobe intensity based on UL 1971.

## Drawings

Figure 1. Wall strobe

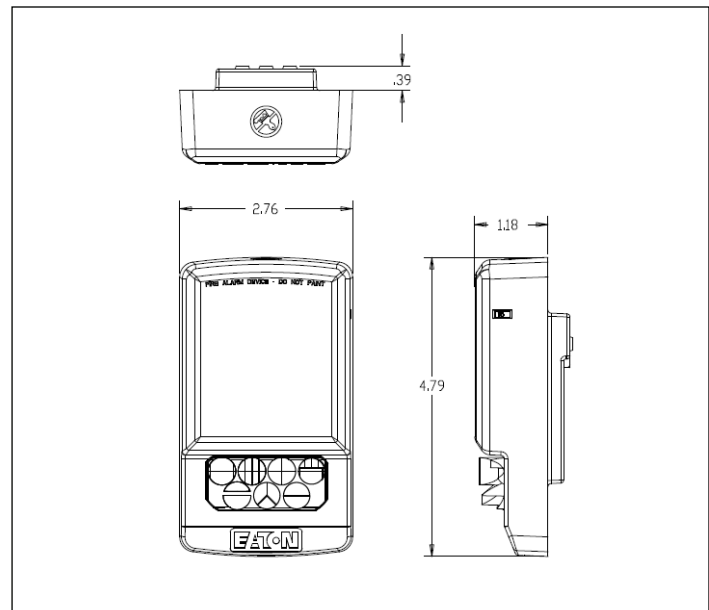


Figure 1. Wall strobe

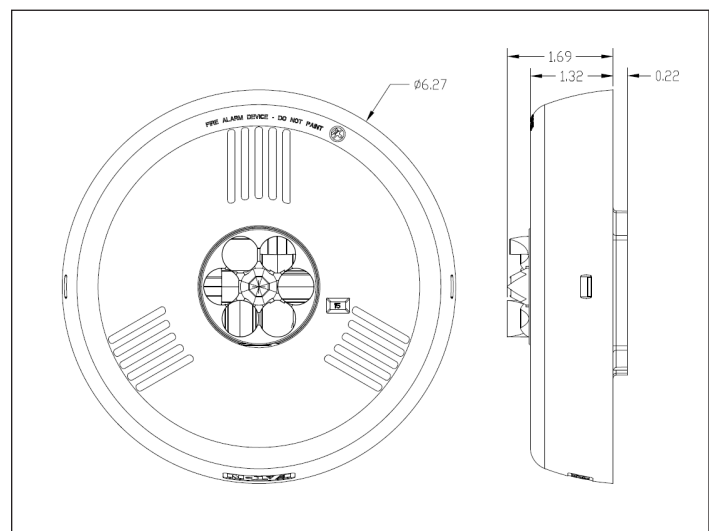


Figure 2. Ceiling strobe

**Table 1. Strobe Ratings**

		UL/ULC Max Current ①							
		24VDC							
Amber lens Model	Regulated Voltage Range VDC	15	30	75	110	135	150	177	185
ELST-A	16.0-33.0	0.022	0.030	0.060	0.086	0.125			0.185
ELSTC-A	16.0-33.0	0.022	0.030	0.060	0.086		0.125	0.185	

		UL/ULC Max Current ①							
		24VDC							
Blue lens Model	Regulated Voltage Range VDC	5	10	12	20	30	40	50	65
ELST-B	16.0-33.0	0.022	0.030		0.060	0.086	0.125	0.185	
ELSTC-B	16.0-33.0	0.022		0.030		0.060	0.086	0.125	0.185

**Table 2. Specification & Ordering Information**

Model	Strobe Candela	Red	White	Lens Color	Lettering	Mounting	Sync w/ DSM or Wheelock Power Supplies
<b>Strobes</b>							
ELSTR-ALA	15/30/75/110/135/185	X		Amber	ALERT	Wall	X
ELSTW-ALA	15/30/75/110/135/185		X	Amber	ALERT	Wall	X
ELSTR-NA	15/30/75/110/135/185	X		Amber	No Lettering	Wall	X
ELSTW-NA	15/30/75/110/135/185		X	Amber	No Lettering	Wall	X
ELSTR-ALB	5/10/20/30/40/50	X		Blue	ALERT	Wall	X
ELSTW-ALB	5/10/20/30/40/50		X	Blue	ALERT	Wall	X
ELSTR-NB	5/10/20/30/40/50	X		Blue	No Lettering	Wall	X
ELSTW-NB	5/10/20/30/40/50		X	Blue	No Lettering	Wall	X
ELSTR-ALA	15/30/75/95/150/177	X		Amber	ALERT	Ceiling	X
ELSTWC-ALA	15/30/75/95/150/177		X	Amber	ALERT	Ceiling	X
ELSTR-NA	15/30/75/95/150/177	X		Amber	No Lettering	Ceiling	X
ELSTWC-NA	15/30/75/95/150/177		X	Amber	No Lettering	Ceiling	X
ELSTR-ALB	5/12/30/40/50/65	X		Blue	ALERT	Ceiling	X
ELSTWC-ALB	5/12/30/40/50/65		X	Blue	ALERT	Ceiling	X
ELSTR-NB	5/12/30/40/50/65	X		Blue	No Lettering	Ceiling	X
ELSTWC-NB	5/12/30/40/50/65		X	Blue	No Lettering	Ceiling	X
<b>Accessories</b>							
ELSBB-R	Eluxa LED Backbox	X				Wall	
ELSBB-W	Eluxa LED Backbox		X			Wall	
LSPKBB-CR	Exceder LED Backbox	X				Ceiling	
LSPKBB-CW	Exceder LED Backbox		X			Ceiling	

**Table 4. Specifications**

<b>Physical</b>	
Material	Red or white textured UV stabilized, colored impregnated engineered plastic. Exceeds 94V-0 UL flammability rating
Weight	Wall: 0.35 lbs; Ceiling: 0.55 lbs
Lens	Light Emitting Diode (LED) in a rugged Lexan lens; Amber and blue lens models
Dimensions	Wall: 4.79" H x 2.76" W x 1.18" D, Trimplate: 5.25" H x 4.58" W x 0.32" D; Ceiling: 6.27" Diameter x 1.69" D
Operating Temperature	Indoor: 32°F to 122°F (0°C to 50°C) and maximum humidity of 93%
<b>Mounting &amp; Wire Connections</b>	
Mounting (indoor only)	Mounting plate included with all models. ELST are for wall-mount applications only. Wall mounting: Single-gang, ELSBB backboxes or to 4" square with adapter kit. ELSTC are for ceiling mount applications only. Ceiling mounting: LSPKBB-C backboxes or to 4" square, 1 1/2" or 2 1/8" and Octagonal, 1 1/2" or 2 1/8" deep
Wire Connections	#12 through #18 AWG
<b>Power &amp; General</b>	
Operating voltage	24 VDC/VFWR: 16 - 33 VDC/VFWR
Strobe Output Rating	UL 1638, Light output meets UL 1971; Amber lens: Selectable 15, 30, 75, 110, 135, 185 candela output for wall models; Selectable 15, 30, 75, 110, 150, 177 candela output for ceiling models. Blue lens: Selectable 5, 10, 20, 30, 40, 50 cd for wall models and 5, 12, 30, 40, 50, 65 cd for ceiling models.
Strobe Flash Rate	Strobes are designed to flash at 1 flash per second
Synchronization Models	Strobes can be synchronized with Wheelock's DSM Sync Modules, PS Power Supplies or SAFEPATH products, using Wheelock patented sync protocol

① RMS current ratings are per UL maximum RMS method. UL max current rating is the maximum RMS current within the listed voltage range (16-33v for 24v units). For strobes the UL max current is usually at the minimum listed voltage (16v for 24v units). For audibles the max current is usually at the maximum listed voltage (33v for 24v units). For unfiltered FWR ratings, see installation instructions.

## Architects and Engineers Specifications

The colored lens strobe appliances shall be Wheelock® Eluxa ELST visual strobe appliances for wall- and ceiling-mount applications with a low-profile design or approved equals. Strobes shall include blue and amber lens models. Special lettering, including ALERT and no lettering, shall be available. The Series ELST-A (amber lens) and ELST-B (blue lens) strobes shall be listed for UL Standard 1638 (Visual Signaling Appliances for emergency notification) and light output shall meet 1971 requirements. All inputs shall be compatible with standard reverse polarity supervision of circuit wiring by a Fire Alarm Control Panel (FACP) with the ability to operate from 16 to 33 VDC/FWR.

The series ELST colored lens strobe appliances shall produce a flash rate of one (1) flash per second over the Regulated Voltage Range and shall incorporate a Light Emitting Diode (LED) as the light source with a rugged Lexan® lens. The Series shall be of low current design. The LED strobe flash duration shall be 20 ms. The amber lens strobe intensity shall have 6 field selectable settings at 15, 30, 75, 110, 135 and 185 candela for wall mount applications and 15, 30, 75, 110, 150 and 177 for ceiling applications. The blue lens strobe intensity shall have 6 field selectable settings at candela for wall 5, 10, 20, 30, 40, and 50 candela for wall mount applications and 5, 12, 30, 40, 50, and 65 candela for ceiling applications. The selector switch for selecting the candela shall be tamper resistant. Appliances with candela settings shall show the candela selection in a visible location at all times when installed.

The ELST strobes shall include a mounting plate. Mounting Options shall include Eluxa ELSBB, any single-gang backbox and to 4" square with adapter kit for wall models and Exceder LSPKBB-C backboxes, 4" square, 1 1/2" or 2 1/8" deep and 4" Octagonal, 1 1/2" or 2 1/8" deep for ceiling models. Two wire appliance wiring shall be capable of directly connecting to the mounting base. Removal of an appliance shall result in a supervision fault condition by the Fire Alarm Control Panel (FACP). All notification appliances shall be backwards compatible.

The ELST wall models shall have a low profile measuring 4.79"H x 2.76"W x 1.18"D. The ELSTC-A/B ceiling models shall have a low profile measuring 6.27" Diameter with 1.69"D.

When synchronization is required, the appliance shall be compatible with Wheelock®'s DSM Sync Modules, PS Power Supplies, SAFEPATH products or other manufacturer's panels with built-in Wheelock® Patented Sync Protocol. The strobes shall not drift out of synchronization at any time during operation. If the sync protocol fails to operate, the strobe shall revert to a non-synchronized flash-rate and still maintain (1) flash per second over its Regulated Voltage Range.

UL 1638, ULC-S526, CSFM, FCC, ICES

**Note:** Due to continuous development of our products, specifications and offerings are subject to change without notice in accordance with Cooper Wheelock Inc., dba Eaton standard terms and conditions.



WE ENCOURAGE AND SUPPORT NICET CERTIFICATION  
3 YEAR WARRANTY

**Eaton**  
1000 Eaton Boulevard  
Cleveland, OH 44122  
United States  
Eaton.com

Eaton  
Life safety & mass notification solutions  
273 Branchport Ave.  
Long Branch, NJ 07740  
Eaton.com/Lifesafetynotification

© 2021 Eaton  
All Rights Reserved  
Printed in USA  
Publication No. TD450160EN  
April 2021



Eaton is a registered trademark.

All other trademarks are property of their respective owners.