

# Wheelock RSS and RSSP Strobes and Strobe Plates



## Description

The Wheelock patented RSS Strobe appliances and RSSP Strobe Plates by Eaton have lower current draw while maintaining outstanding performance, reliability and cost effectiveness. These versatile appliances will satisfy virtually all requirements for indoor, wall or ceiling mount applications.

Strobe options include the Wheelock Patented MCW multi-candela strobe with field selectable candela settings of 15/30/75/110cd or the high intensity MCWH strobe with field selectable 135/185cd. Ceiling mount models include the patented MCC multi-candela ceiling strobe with field selectable intensities of 15/30/75/95cd or the high intensity MCCH strobe with field selectable 115/177cd.

All models may be synchronized using the Wheelock DSM Sync Modules, Wheelock Power Supplies or other manufacturers panels incorporating the Wheelock Patented Sync Protocol. Synchronized strobes can eliminate possible restrictions on the number of strobes in the field of view. Wheelock's synchronized strobes offer an easy way to comply with ADA recommendations concerning photosensitive epilepsy as well as meeting the requirements of NFPA 72.

The Wheelock Series RSS Strobes employ a Patented Integral Strobe Mounting Plate that can be mounted to a single gang, double gang, 4" square, 100mm European backboxes or the SHBB surface backbox. If the flush backbox has side or top space between it and the finished wall, the NATP (Notification Appliance Trimplate) may be used. It provides an additional .65" of trim for the Appliance. An attractive cover plate is provided for a clean, finished appearance on all models.

The RSSP Multi-Candela Strobe Plates are a cost effective way to retrofit required wall strobe appliances to bells, horns, chimes, multitones or speakers and easily mounts to standard 4" backboxes or for surface mount use with the Wheelock SBL2 surface backbox.

**EATON**

*Powering Business Worldwide*

## Features

- Approvals include: UL Standard 1971, New York City (MEA), California State Fire Marshal (CSFM), Factory Mutual (FM), and Chicago (BFP) See approvals by model in Specifications and Ordering information
- ADA/NFPA/UFC/ANSI compliant. Meets OSHA 29 Part 1910.16
- Wall mount Multi-Candela models are available with Field Selectable Candela Settings of 15/30/ 75/110cd or 135/185cd.
- Wall mount Multi-Candela models are available with Field Selectable Candela Settings of 15/30/75/110cd or 135/185cd.
- Strobes produce 1 flash per second over the regulated voltage range
- 12 and 24 VDC models with wide UL “Regulated Voltage” using filtered (DC) or unfiltered VRMS input voltage
- Synchronize using the Wheelock sync modules or panels with built-in Wheelock Patented Sync Protocol
- Fast installation with IN/OUT screw terminals using #12 to #18 AWG wire

**Note:** All CAUTIONS and WARNINGS are identified by the symbol **▲**. All warnings are printed in bold capital letters.

### **▲** WARNING

**PLEASE READ THESE SPECIFICATIONS AND ASSOCIATED INSTALLATION INSTRUCTIONS CAREFULLY BEFORE USING, SPECIFYING OR APPLYING THIS PRODUCT. VISIT [WWW.EATON.COM/MASSNOTIFICATION](http://WWW.EATON.COM/MASSNOTIFICATION) OR CONTACT EATON FOR THE CURRENT INSTALLATION INSTRUCTIONS. FAILURE TO COMPLY WITH ANY OF THESE INSTRUCTIONS, CAUTIONS OR WARNINGS COULD RESULT IN IMPROPER APPLICATION, INSTALLATION AND/OR OPERATION OF THESE PRODUCTS IN AN EMERGENCY SITUATION, WHICH COULD RESULT IN PROPERTY DAMAGE, AND SERIOUS INJURY OR DEATH TO YOU AND/OR OTHERS.**

### Audibles/Speakers for RSSP

Product	Series
Multitone Appliances	AMT, MT
Horns	AH, NH, HS
Motor Bells	MB-G6/G10
Speakers	ET-1010/1080, E70, ET70
Chimes	CH70

## Drawings

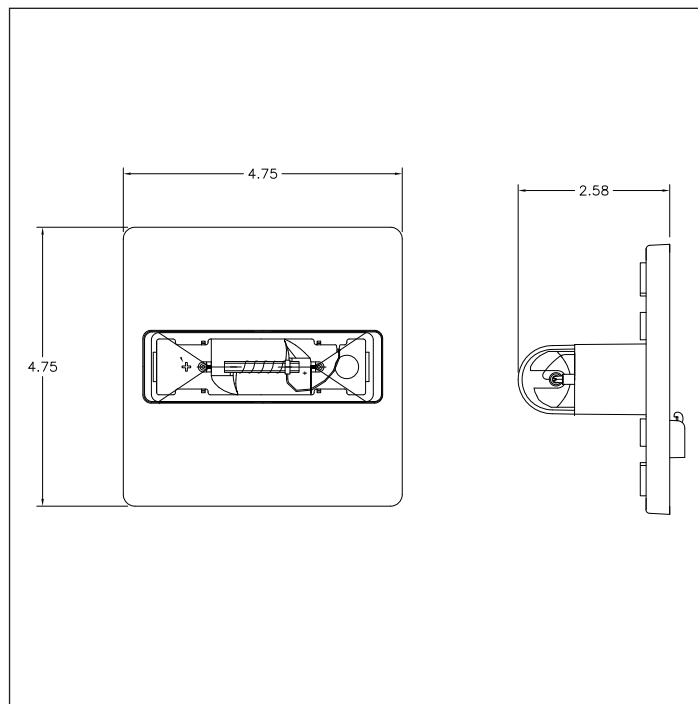


Figure 1. RSS wall strobe - Front & Side Views

## General Notes

- Strobes are designed to flash at 1 flash per second minimum over their “Regulated Voltage Range.” Note that NFPA-72 specifies a flash rate of 1 to 2 flashes per second and ADA Guidelines specify a flash rate of 1 to 3 flashes per second.
- All candela ratings represent minimum effective Strobe intensity based on UL 1971.

**Table 1. Maximum RMS Current**

RSS/RSSP Strobes		UL/ULC MAX CURRENT <sup>a</sup>									
		24VDC									
Model	Regulated Voltage Range VDC	1575	15cd	30cd	75cd	95cd	110cd	115cd	135cd	177cd	185cd
121575W	16.0-33.0	0.255									
24MCW	16.0-33.0	0.060	0.092	0.165	0.220						
24MCWH	16.0-33.0								0.300	0.420	
24MCC	16.0-33.0	0.065	0.105	0.189	0.249						
24MCCH	16.0-33.0								0.300	0.420	

**Table 2. Specification & Ordering Information**

											Agency Approvals				
Model	Order #	Strobe Candela	Red	White	Wall	Ceiling	Non-Sync	Mounting Options <sup>b</sup>	Square or Round	UL	MEA	CSFM	FM	BFP	
RSS-24MCW-FR	9400	15/30/75/110	X		X		X	B,D,E,F,G,H,J,N,O,R,X	square	X	X	X	X	X	
RSS-24MCW-FW	9401	15/30/75/110		X	X		X	B,D,E,F,G,H,J,N,O,R,X	square	X	X	X	X	X	
RSS-24MCW-AR	9773	15/30/75/110		X	X		X	B,D,E,F,G,H,J,N,O,R,X	square	X	X	X	X	X	
RSS-121575W-FR	7476	15 (75 on Axis)	X		X		X	B,D,E,F,G,H,J,N,O,R,X	square	X	X	X	X	X	
RSS-121575W-FW	7468	15 (75 on Axis)		X	X		X	B,D,E,F,G,H,J,N,O,R,X	square	X	X	X	X	X	
RSS-24MCC-FW	3158	15/30/75/95		X		X	X	B,D,E,F,G,H,J,N,O,R,X	square	X	X	X	X	X	
RSS-24MCC-FR	3157	15/30/75/95	X			X	X	B,D,E,F,G,H,J,N,O,R,X	square	X	X	X	X	X	
RSS-24MCCH-FW	3461	115/177		X		X	X	B,D,E,F,G,H,J,N,O,R,X	square	X	X	X	X	X	
RSS-24MCWH-FR	3465	135/185	X		X		X	B,D,E,F,G,H,J,N,O,R,X	square	X	X	X	X	X	
RSS-24MCWH-FW	3464	135/185		X	X		X	B,D,E,F,G,H,J,N,O,R,X	square	X	X	X	X	X	
RSSWP-2475W-FR	9013	180@ 77F 75@-31F	X		X		X	B,D,E,F,G,H,J,N,O,R,X	square	X	X	X	X	X	
RSSWP-2475W-FW	3034	180@ 77 F 75@-31 F		X	X		X	B,D,E,F,G,H,J,N,O,R,X	square	X	X	X	X	X	
RSSP-121575W-FR	7798	15 (75 on Axis)	X		X		X	D,E,Z	square	X		X	X	X	
RSSP-24MCW-FR	9402	15/30/75/110	X		X		X	D,E,Z	square	X	X	X	X	X	
RSSP-24MCWH-FR	9482	135/185	X		X		X	B,D,E,F,G,H,J,N,O,R,X	square	X	X	X	X	X	

**Table 3. Specifications**

Physical	
Material	Red or white textured UV stabilized, colored impregnated engineered plastic. Exceeds 94V-0 UL flammability rating.
Weight	RSS Strobe: 0.40 lbs (0.181 kg)
Lens	GE Lexan 943A
Dimensions	RSS Strobe: 4.75" W x 4.75" H x 2.58"D
Operating Temperature	Indoor: 33.8°F to 120.2°F (0°C to 49°C) and maximum humidity of 93%
Wire Connections	#12 through #18 AWG
Power & General	
Operating voltage	25/70 VRMS
Strobe Output Rating	UL 1971
Strobe Flash Rate	Strobes are designed to flash at 1 flash per second
Synchronization Models	Strobes can be synchronized with Wheelock's DSM Sync Modules, Power Supplies or SAFEPATH products, using Wheelock patented sync protocol

<sup>a</sup> RMS current ratings are per UL maximum RMS method. UL max current rating is the maximum RMS current within the listed voltage range (16-33v for 24v units). For strobes the UL max current is usually at the minimum listed voltage (16v for 24v units). For audibles the max current is usually at the maximum listed voltage (33v for 24v units). For unfiltered FWR ratings, see installation instructions.

<sup>b</sup> For information on mounting options, refer to specification sheet TD450028EN.

## Architects and Engineers Specifications

The visual notification appliances shall be Wheelock RSS Strobe appliances or approved equals. The Series RSS shall meet and be listed for UL Standard 1971 (Emergency Devices for the Hearing-Impaired) for Indoor Fire Protection Service. The strobe shall be listed for indoor use and shall meet the requirements of FCC Part 15 Class B. The strobe appliances shall produce a flash rate of one (1) flash per second over the Regulated Voltage Range and shall incorporate a Xenon flashtube enclosed in a rugged Lexan® lens. All inputs shall be compatible with standard reverse polarity supervision of circuit wiring by a Fire Alarm Control Panel (FACP). When Strobe Plates are to be installed, they shall be the Wheelock Series RSSP Strobe Plate and shall have the same electronic circuitry as the Wheelock Series RSS.

The RSS Strobe shall be of low current design. Where Multi-Candela appliances are specified, the strobe intensity shall have field selectable settings and shall be rated per UL Standard 1971 at 15/30/75/110cd or 135/185cd for wall mount and 15/30/75/95cd or 115/177cd for ceiling mount. The selector switch for selecting the candela shall be tamper resistant.

When synchronization is required, the appliance shall be compatible with Wheelock's DSM Sync Modules, Wheelock Power Supplies or other manufacturers panels with built-in Wheelock Patented Sync Protocol. The strobes shall not drift out of synchronization at any-

time during operation. If the sync module or Power Supply fails to operate, (i.e., contacts remain closed), the strobe shall revert to a non-synchronized flash rate. The strobes shall be designed for indoor surface of flush mounting.

The RSS Strobe appliances shall incorporate a Patented, Integral Strobe Mounting Plate that shall allow mounting to single gang, double-gang, 4-inch square, 100mm European type backboxes, or the SHBB Surface Backbox. If required, an NATP (Notification Appliance Trimplate) shall be provided. An attaching cover plate shall be provided to give the Appliance and attractive appearance. The Appliance shall not have any mounting holes or screw heads visible when the installation is completed.

The RSSP Multi-Candela or single candela Strobe Plate shall mount to either a standard 4 inch square backbox for flush mounting, or the Wheelock SBL2 backbox for surface mounting.

All notification appliances shall be backward compatible.

UL, MEA, CSFM, BFP, FM

**Note:** Due to continuous development of our products, specifications and offerings are subject to change without notice in accordance with Wheelock Inc., dba Eaton standard terms and conditions.



WE ENCOURAGE AND SUPPORT NICET CERTIFICATION  
3 YEAR WARRANTY

Eaton  
1000 Eaton Boulevard  
Cleveland, OH 44122  
United States  
Eaton.com

Eaton  
Life safety & mass notification solutions  
273 Branchport Ave.  
Long Branch, NJ 07740  
www.eaton.com/massnotification

© 2016 Eaton  
All Rights Reserved  
Printed in USA  
Publication No. TD450040EN  
July 2016

Eaton is a registered trademark.

All other trademarks are property of their respective owners.