

2MP PTZ 30X Network Camera

PRO SERIES



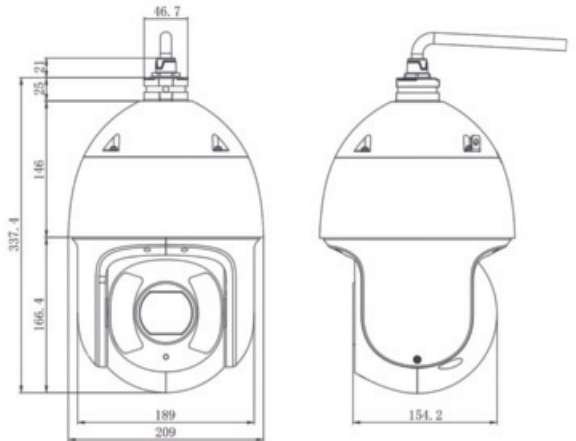
MPIX-21IRPTZ



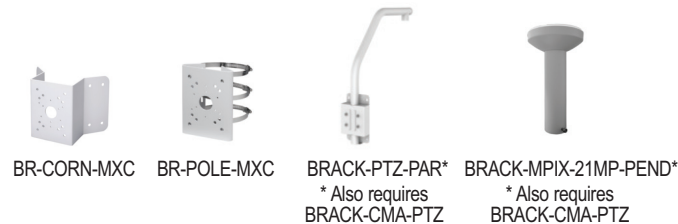
PRODUCT FEATURES

- ❖ 1/2.8" 2Megapixel CMOS
 - ❖ Powerful 30x optical zoom
 - ❖ Supports POE+
 - ❖ 4.5mm ~ 135mm lens
 - ❖ Max. 50/60fps@1080P
 - ❖ Sensefier Technology
 - ❖ WDR 120dB
 - ❖ H.265+/H.265 Encoding
 - ❖ Max. 50/60fps@1080P
 - ❖ Supports Auto-tracking and IVS
 - ❖ IR distance up to 200m/656ft
 - ❖ IP67, IK10
 - ❖ Multiple network monitoring:
 - ❖ Built-in web server & Multifunction VMS
 - ❖ Support Multicast
 - ❖ Supports multiple analytic functions
- For more information call us to better suit your needs

* Wall Mount Bracket and Power supply included



Optional Brackets:



BR-CORN-MXC

BR-POLE-MXC

BRACK-PTZ-PAR*

* Also requires BRACK-CMA-PTZ

BRACK-MPIX-21MP-PEND*

* Also requires BRACK-CMA-PTZ



Optional: Water-proof Power Box BRACK-PTZ-BOX



Optional: Ceiling Mount Adapter Ring BRACK-CMA-PTZ



FREE Multisite VMS software
Download from www.watchnetinc.com



Model	MPIX-21IRPTZ			
Image Sensor	1/2.8" Sensefier CMOS			
Effective Pixels	1920(H) x 1080(V), 2 Megapixels			
RAM/ROM	512M/128M			
Electronic Shutter Speed	1/1s~1/30,000s			
Scanning System	Progressive			
Min Illumination	Color: 0.005Lux@F1.6; 0Lux@F1.6 (IR on)			
S/N Ratio	More than 55dB			
IR Distance	Distance up to 200m (656ft)			
IR On/Off Control	Auto/Manual			
IR LEDs	6			
DORI Distance	Detect	Observe	Recognize	Identify
	1862m (6109ft)	744m (2441ft)	372m (1220ft)	186m (610ft)
Lens				
Focal Length	4.5mm ~ 135mm			
Max. Aperture	F1.6 ~ F4.4			
Angle of View	H: 67.8° ~ 2.4°			
Optical Zoom	30x			
Focus Control	Auto/Manual			
Close Focus Distance	100mm ~ 1000mm			
Intelligence				
Analytics	Supports multiple analytic functions			
PTZ				
Pan/Tilt Range	Pan: 0° ~ 360° endless; Tilt: -20° ~ 90°, auto flip 180°			
Manual Control Speed	Pan: 0.1° ~200° /s; Tilt: 0.1° ~120° /s			
Preset Speed	Pan: 300° /s; Tilt: 200° /s			
Presets	300			
PTZ Mode	5 Pattern, 8 Tour, Auto Pan, Auto Scan			
Power up Action	Auto restore to previous PTZ and lens status after power failure			
Idle Motion	Activate Prese/ Scan/ Tour/ Pattern if there is no command in the specified period			
Protocol	WatchNET, Pelco-P/D (Auto recognition)			
Video				
Compression	H.265+/H.265/H.264+/H.264			
Streaming Capability	3 Streams			
Resolution	1080P(1920×1080)/1.3M(1280×960)/ 720P(1280×720)/D1(704×576/704×480)/ CIF(352×288/352×240)			
Frame Rate	Main stream: 1080P/1.3M/720P(1~50/60fps) Sub stream1: D1/CIF(1 ~ 25/30fps) Sub stream2: 1080P/1.3M/720P/D1/CIF(1~25/30fps)			
Bit Rate Control	CBR/VBR			
Bit Rate	H.265/H.264: 448K ~ 8192Kbps			

Day/Night	Auto(ICR) / Color / B/W
Backlight Compensation	BLC / HLC / WDR (120dB)
White Balance	Auto/Natural/Street Lamp/Outdoor/Manual
Gain Control	Auto/Manual
Noise Reduction	Ultra DNR (2D/3D)
Motion Detection	Support
Region of Interest	Support
Electronic Image Stabilization (EIS)	Support
Defog	Support
Digital Zoom	16x
Flip	180°
Privacy Masking	Up to 24 areas
Audio	
Compression	G.711a/G.711Mu/AAC/G.722/G.726/G.729/ MPEG2-L2
Network	
Ethernet	RJ-45 (10Base-T/100Base-TX)
Protocol	IPv4/IPv6, HTTP, HTTPS, SSL, TCP/IP, UDP, UPnP, ICMP, IGMP, SNMP, RTSP, RTP, SMTP, NTP,DHCP, DNS, PPPOE, DDNS, FTP, IP Filter, QoS, Bonjour, 802.1x
Interoperability	ONVIF Profile S&G, API
Streaming Method	Unicast / Multicast
Max. User Access	20 Users
Edge Storage	NAS (Network Attached Storage) Local PC for instant recording Micro SD card 128GB
Web Viewer	IE, Chrome, Firefox, Safari
Smart Phone	IOS, Android
Interface	
Video Interface	1 port(BNC, 1.0V[p-p], 75Ω)
RS485	1
Audio I/O	1/1
Alarm I/O	7/2
Electrical	
Power Supply	AC24V/3A(±25%), PoE+(802.3at)
Power Consumption	17W, 26W(IR On, Heater On)
Environmental	
Operating Conditions	-40°C ~ +70°C (-40°F ~ +158°F) Less than 90% RH
Ingress Protection	IP67
Vandal Resistance	IK10
Construction	
Casing	Metal
Dimensions	φ209mm x 337.4mm φ8.23" x 13.28"
Net Weight	5.8kg (12.79lb)
Gross Weight	9.1kg (20.06lb)

All logos & trade marks represent the registered users only. All rights reserved.
All product specifications on this brochure are subject to change without notice.

CANADA:
351 Ferrier Street, Unit 5
Markham, ON L3R 5Z2
Toll Free: 1-866-843-6865
Tel: 416-410-6865

USA:
171 Cooper Ave. Suite 110
Tonawanda, NY 14150 USA
Toll Free: 1-866-843-6865
Local: 1-716-877-7277

Rev May 01, 2019

info@watchnetinc.com
www.watchnetinc.com

INDIA:
RZ- 2, Ground Floor
Kapashera
Opp Kapashera Police Station
New Delhi-110037
Tel/Fax: + 91 11 26816005

UAE:
P O Box 126312
No 703, Oxford Towers
Business Bay
Dubai, UAE
Tel: + 971 4 2767117