

Vi0012

12VDC Power Adapter

Features

- Universal AC input / full range 100 ~ 240VAC
- Low leakage current
- Provides short circuit, overload, and over voltage protection
- Fully enclosed plastic case
- Class II power
- 1 year warranty

Applications

- CCTV projects
- Networking projects
- Powering transmission equipment



Vigtron's Vi0012 is a highly reliable, 12W single-output 12VDC power adapter that meets the power requirements of analog and IP CCTV products. This product is equipped with a 2-pin Standard AC power plug that can accept AC input 100VAC to 240VAC.

It provides over Voltage Protection, Short Circuit Protection, and Over Current Protection to protect powered devices when any of these conditions occur. The Vi0012 intelligent system evaluates fault conditions and once no longer present will return power to normal operations.

GEO151DA-1210



The Smart Choice for Transmission Solutions

www.vigtron.com

Technical Specification

Electrical

Input Voltage	Universal 100~240 VAC @ 47~63 Hz
Output Voltage	Voltage +12VDC +/- 5% @ 1A
Output Power	12W
Ripple/Noise	300mV Max
Output	Striped Wired
Protection	Over voltage protection (OVP) Over current protection (OCP) Short circuit protection (SCP) Automatic recovery after fault is removed

Ordering Information

Part No. Description

Vi0012	12VDC Power Adapter
--------	---------------------

Regulatory

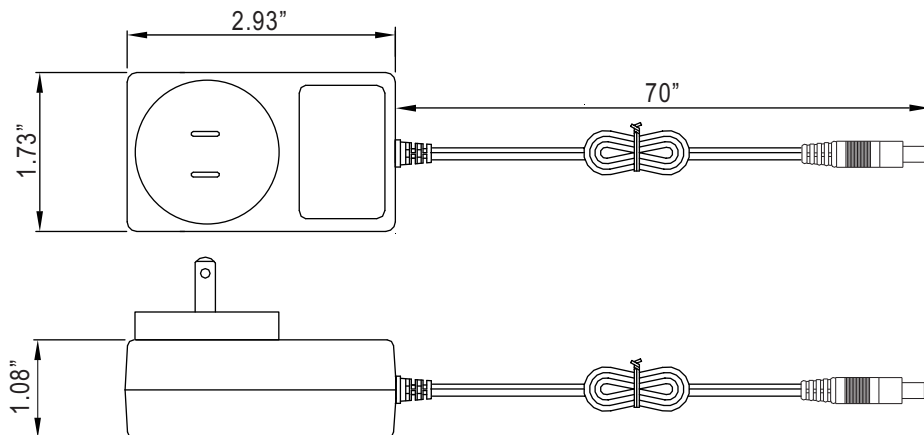
FCC, CE	
UL	(under GFP121U-1210 part number)

Environmental

Humidity	20% ~ 80% RH
Temperature	Operating: 0°C to +40°C (32°F to +104°F) Storage: -20°C to +80°C (-4°F to +176°F)
Relative Storage	10% ~ 90%
Cooling	Natural air, no fan required

Mechanical

Dimensions	2.93 x 1.73 x 1.08 in., 74.4 x 44 x 27.4 mm (LxWxH)
Weight	0.22 lbs. (99g)
Cable Length	70 in., 1778mm



TEL (+1) 858-484-5209 • FAX (+1) 858-484-1205

7810 Trade Street, Suite 100, San Diego, CA 92121, USA • support@vigatron.com • www.vigatron.com

© Copyright 2014 Vigatron, Inc.