

Vi2300WP

MaxiiCooper™ High Speed/ High Power Weatherproof Ethernet Extender over UTP

Features

- Conforms to IP67 standards with total dust and moisture protection
- IEC 60068-252 certified for operation in salt laden environments
- Easy to install using standard Cat cable with RJ45 plugs
- Requires no switch setting or network programming
- Extended Pass Through PoE (EPTP™) compatible with 802.3af, 802.3at and PoE++ up to 74W
- UPoE Compliant
- Mega-Pixel Certified (MPC™) High data rate, ideal for high bandwidth requirements of Mega-pixel cameras, multiple IP cameras systems, and cameras requiring Jumbo Frame transmission
- Symmetric Bandwidth (SBW™) provides consistent upload and download with Virtual Zero Packet Loss (VZPL™)
- Type tested to RFC-2544 TCP/IP network bandwidth packet transmission standards
- Supports one-pair or four-pair UTP wires with built-in transceiver cable connectivity tester
- Type tested for -40°C to +75°C conforming to NEMA-TS2 testing standards
- Removable wings provides easy mounting
- Complies to major IEEE standards and RFC network protocols for UDP, TCP/IP, HTTP/HTTPS
- Limited lifetime warranty



Applications

- Extending Ethernet distances beyond Ethernet 100m limit
- Providing high power PoE to PTZ cameras at long distances
- CCTV System for casinos, airports, school campuses, parking lots, jails, loading decks, and car lots
- Outdoor: Perimeters, parking lots, garages, and loading docks

Vigtron's MaxiiCopper™ Vi2300WP UTP Ethernet extender brings new performance standards to the growing need for high speed transmission of full bandwidth Ethernet and high-power PoE over extended distances. Its compact IP67 weatherproof design is perfect for any outdoor applications. The ability to power PoE cameras at distances up to of 2,500 ft. (757m), without the need for local power source, makes it the perfect solution for parking lots, car lots, loading decks, and perimeter security applications. Its unique Symmetric Bandwidth (SBW™) assures full bandwidth transmission is maintained over the entire operational distance for both uploads and downloads with Virtual Zero Packet Loss (VZPL™). It can use 1 pair or 4 pairs of UTP and requires no switch setting or network programming.

The Vi2300WP is designed for the hardest environmental conditions with total dust protection, water immersion, and an operating temperature range of -40°C to +75°C.

The patent pending Pass-Through-PoE (PTP™) eliminates the need for local power supplies and outlets allowing a single PoE source, such as a PoE network switch, to provide power to both transceivers and the PoE camera. The Vi2300WP can pass through up to 74W, UPoE compliant. It is type tested under NEMA-TS2 environmental standards for extended temperature range -40°C to +75°C. It is low power and can easily fit inside most cameras housing and junction boxes. Best of all, it is MegaPixel Certified (MPC™), type tested to network packet performance standards, and compatible with all major camera brands to assure you error free and reliable operations.

The Vi2300WP is the perfect solution for a wide variety of extended distance data and power transmission applications such as warehouses, parking lots, campuses, and casinos.



Technical Specification*

Electrical

Ethernet Interface	Standard 10/100BaseT
Data Rate	Auto select 10/100 Mb/s Full speed/Full duplex at max. rated distance
UTP	100 Ohm +/- 20%, Cat-5 or better 10BaseT: up to 3,000 ft. (914m) 100BaseT: up to 2,100 ft. (640m)
Power Supply	1.5W PoE only
Connectors	Ethernet Interface: RJ45 Connector Extended Interface: RJ45 Connector
Data Interfaces and Compliances	RFC 768 UDP, RFC 2068 HTTP RFC 793 TCP, RFC 791 IP RFC 1783 TFTP, RFC 894 IP over Ethernet RFC 2544 TCP/IP Packet Transmission
PoE Compatibility	IEEE 802.3af, IEEE 802.3at, UPoE compliant
Jumbo Frame	Up to 9,600 bytes

Mechanical

Dimensions	1.8x1.6x7.9 in., 4.6x4x20 cm (HxWxL)
Weight	0.50 lb, 227 g
Material	ABS

Environmental

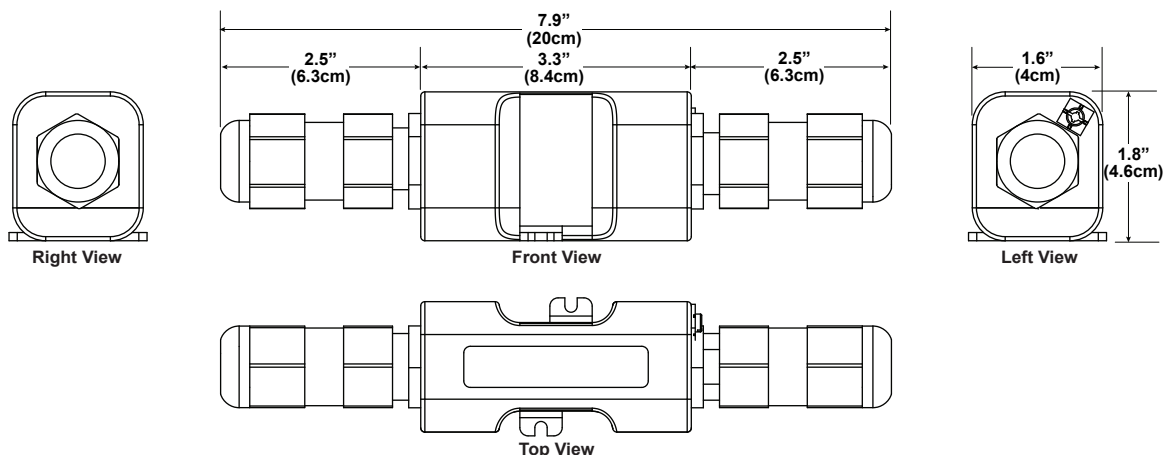
Humidity	0 to 95%, non-condensing
Temperature	Operating: -40°C to +75°C per NEMA-TS2 testing** Storage: -40°C to +85°C
Dust	Total Dust Protection Compliant to IP67
Environment	IEC 60068-252 Salt Laden

Regulatory

Safety	CE
Environmental	RoHS, IP67
FCC	Part 15, Subpart B, Class B 2010
Emissions	EN 5502:2006+A1:2007, EN 61000-3-3:2008 EN 61000-3-2:2006+A1:2009+A2:2009 EN 55024:1998+A1:2001+A2:2003

*Specifications subject to change without notice.

**Vigatron "WP" are designed as self contained to comply with specific environmental standard. Operating in conditions other than free air with proper ventilation will affect performance and may void warranty.



Ordering Information

PART No.	Description
Vi2300WP	Single port Weatherproof IP67 UTP Ethernet Extender
Vi2300A	Single port Mini UTP Ethernet Extender
Vi2301A	Single port UTP Ethernet Extender
Vi23xxA	4,8,16-port UTP Ethernet Extenders
Vi25xx	8,16-port Extended UTP Midspans
Vi2701RX	Single port Extended UTP Midspan
Vi31x26	26-port Extended Ethernet PoE Switches

Data and PoE Distance¹

Data Rate	4-Pair ² (Data + PoE class 2)	1-Pair (Data only)
10BaseT	N/A	3,000 ft. (914 m)
100BaseT	2,100 ft. (636 m)	1,000 ft. (303 m)

- Distance figures are obtained using in house testing mirroring installations. Factors such as cabling, connections, use of power and environmental conditions may affect actual distances and should be taken into consideration.
- Specifications reflect operating using Pass Through PoE (PTP™) providing power for both transceivers and camera from a single source. Distances may increase if transceivers are locally powered.

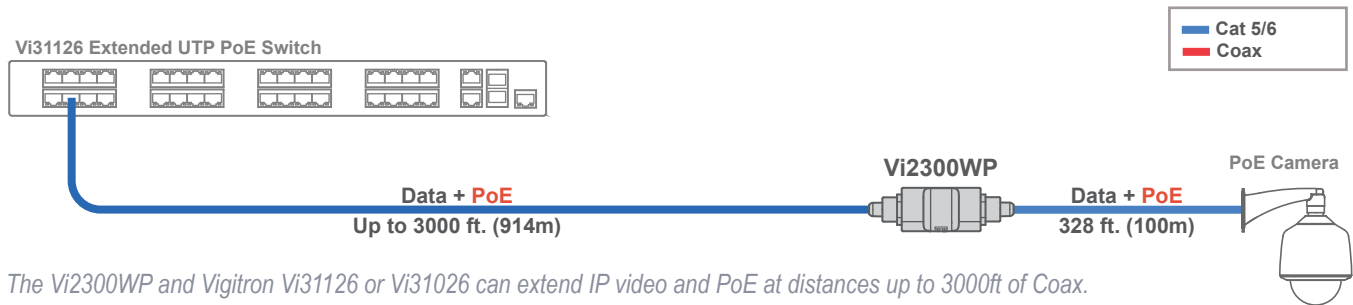


TEL (+1) 858-484-5209 • FAX (+1) 858-484-1205

7810 Trade Street, Suite 100, San Diego, CA 92121, USA • support@vigatron.com • www.vigatron.com

Application Diagrams

Using Vi2300WP with Extended UTP PoE Switch



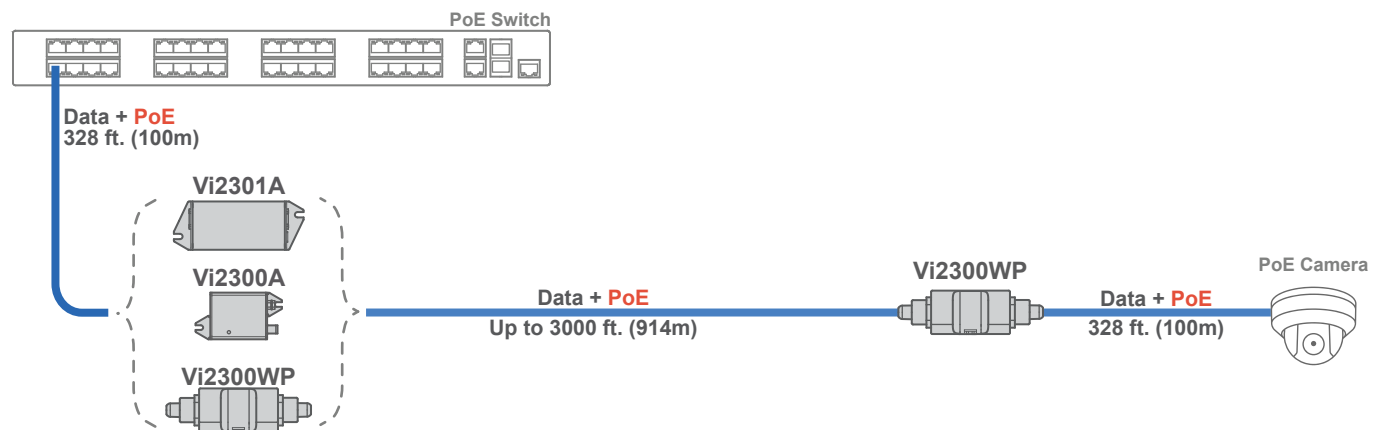
The Vi2300WP and Vigitron Vi31126 or Vi31026 can extend IP video and PoE at distances up to 3000ft of Coax.

Using Vi2300WP with Extended UTP PoE Midspan and Network Switch



The Vi2300WP and Vigitron Vi2516 or Vi2508 can extend IP video and PoE at distances up to 3000ft of Coax.

Using Vi2300WP with Extended UTP Ethernet and PoE Extenders



The Vi2300WP and Vigitron UTP Ethernet and PoE extenders can extend IP video and PoE at distances up to 3000ft of Coax.