



TALKPHONE

AREA OF RESCUE ASSISTANCE

# AREA OF RESCUE COMMAND UNIT AOR SERIES



THIS FULLY INTEGRATED COMMAND UNIT ACCOMMODATES UP TO 32 ADA-COMPLIANT AREA OF RESCUE STATIONS. THE UNIT'S STROBE/SOUNDER INDICATES AN INCOMING CALL, AND LED LIGHTS INDICATE THE CALLING LOCATION.

## FEATURES

- AOR command units are fully compliant with the IBC (2015) §1009, ADAAG §7, ICC A117.1 Ch. 7, and NFPA 72 (2016) §24.10.
- Automatically and continuously monitors for integrity (opens, shorts, and system ground fault) and alerts by LED and sounder
- Accommodates 8, 16, 24, and 32 ADA-compliant area of rescue stations
- Stations receive power from command unit, powered by UPS
- LEDs on command unit indicate calling station and line status
- On-site calling requires no outside phone lines
- Off-site calling requires only one phone line for each set of 8 stations
- Solid LED indicates active call. Blinking LEDs indicate stations that are waiting to be answered. When first call is completed, second call is automatically placed and phone rings.
- Siren is activated when emergency call is first detected, shuts off when call has been answered
- Strobe is activated when emergency call is first detected and remains active for duration of call
- Built-in UPS provides 4-hour power back-up in case of power failure
- Includes built-in local phone
- Surface or flush mounting options

## General Specifications

<b>AOR SERIES COMMAND UNITS</b>	
<b>Construction:</b>	16 gauge painted steel enclosure, polycarbonate windows
<b>Mounting:</b>	Surface mount or recess mount with optional trim ring, Model AOR-TR16 or AOR-TR32. Strobe/sounder mounts to standard 4-inch square box.
<b>Communication:</b>	Lighted phone with 12-button keypad receives and selectively originates calls
<b>Power Source:</b>	Stations receive power from Command Unit, powered by UPS (120VAC)
<b>Wiring:</b>	One (1) twisted, shielded pair per station not to exceed 25 ohms resistance
<b>Lighting:</b>	Strobe is rated at 15 candela, flashes once per second
<b>Environment:</b>	For indoor use
<b>Sound:</b>	Sounder ranges from 90 to 100 dBA, has 8 alerting sounds
<b>Call Station Options:</b>	<b>Indoor Flush Mount Model:</b> AOR-CSE-FM <b>Indoor Surface Mount Model:</b> AOR-CSE-SM
<b>Approvals:</b>	<b>AOR-8 and AOR-16 Power Supply Approvals:</b> EMI conducted and radiated EN61204-3 Class A, Safety EN60950, UL294 Access Control, UL 603 Burglar Systems, UL 1076 Proprietary Burglar, UL 1481 Fire Alarm Systems  <b>AOR-24 and AOR-32 Power Supply Approvals:</b> UL 294 (6th Edition) listed, UL 603 listed, UL 1481 listed, ULC-S318 listed
<b>Warranty:</b>	5-year limited warranty



## ORDERING INFORMATION

### Command Units

AOR-8	Supports up to 8 analog call stations
AOR-16	Supports up to 16 analog call stations
AOR-24	Supports up to 24 analog call stations
AOR-32	Supports up to 32 analog call stations

### Flush Mount Trim Rings

AOR-TR16	Trim ring to flush mount AOR-8 or AOR-16
AOR-TR32	Trim ring to flush mount AOR-24 or AOR-32

### Signage

ETP-SIGN	ETP-SIGN-L	ETP-SIGN-LD

### AOR Analog Call Stations

AOR-CSE-FM	AOR-CSE-SM

# SPECIFICATIONS

## AOR-8 / AOR-16



<b>Model:</b>	<b>AOR-8:</b> Eight (8) station area of rescue command unit <b>AOR-16:</b> Sixteen (16) station area of rescue command unit
<b>Dimensions (W x H x D):</b>	14.5 x 26.7 x 5 in. (368 x 678 x 127 mm)
<b>Dimensions With Trim Ring (W x H x D):</b>	16.2 x 28.5 x 5 in. (411 x 724 x 127 mm)
<b>Weight:</b>	19 lbs.
<b>AC Input Rating:</b>	90-250VAC, 47-63 Hz, 150W
<b>Power:</b>	<b>AOR-8:</b> 0.5 A (max), 122VAC <b>AOR-16:</b> 0.7 A (max), 122VAC
<b>Fault Monitoring:</b>	<b>AC Power Fail (Primary Power Loss):</b> 24VDC output <b>Low Battery (Low Voltage Detected):</b> Low/short output <b>Open/Short Fault on AOR Stations:</b> Contact closure (relay) output <b>System Ground Fault:</b> Contact closure (relay) output
<b>Approvals:</b>	<b>Power Supply Approvals:</b> EMI conducted and radiated EN61204-3 Class A, Safety EN60950, UL294 Access Control, UL 603 Burglar Systems, UL 1076 Proprietary Burglar, UL 1481 Fire Alarm Systems

## AOR-24 / AOR-32

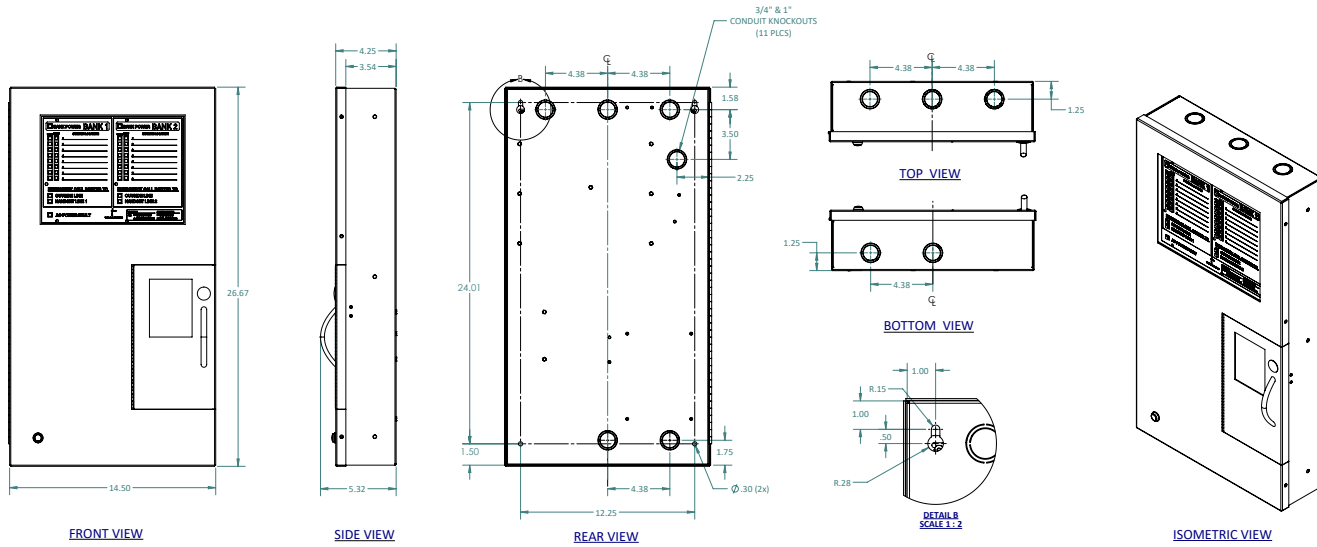


<b>Model:</b>	<b>AOR-24:</b> Twenty-four (24) station area of rescue command unit <b>AOR-32:</b> Thirty-two (32) station area of rescue command unit
<b>Dimensions (W x H x D):</b>	14.5 x 43.6 x 6 in. (368 x 1107 x 152 mm)
<b>Dimensions With Trim Ring (W x H x D):</b>	16.3 x 45.3 x 6 in. (414 x 1151 x 152 mm)
<b>Weight:</b>	59 lbs.
<b>AC Input Rating:</b>	115-230VAC, 50-60 Hz, 150W
<b>Power:</b>	<b>AOR-24:</b> 0.9 A (max), 122VAC <b>AOR-32:</b> 1.0 A (max), 122VAC
<b>Fault Monitoring:</b>	<b>AC Power Fail (Primary Power Loss):</b> 24VDC output <b>Low Battery:</b> Form C output <b>Open/Short Fault on AOR Stations:</b> Contact closure (relay) output <b>System Ground Fault:</b> Contact closure (relay) output
<b>Approvals:</b>	<b>Power Supply Approvals:</b> UL 294 (6th Edition) listed, UL 603 listed, UL 1481 listed, ULC-S318 listed

All specifications are subject to change without notice.

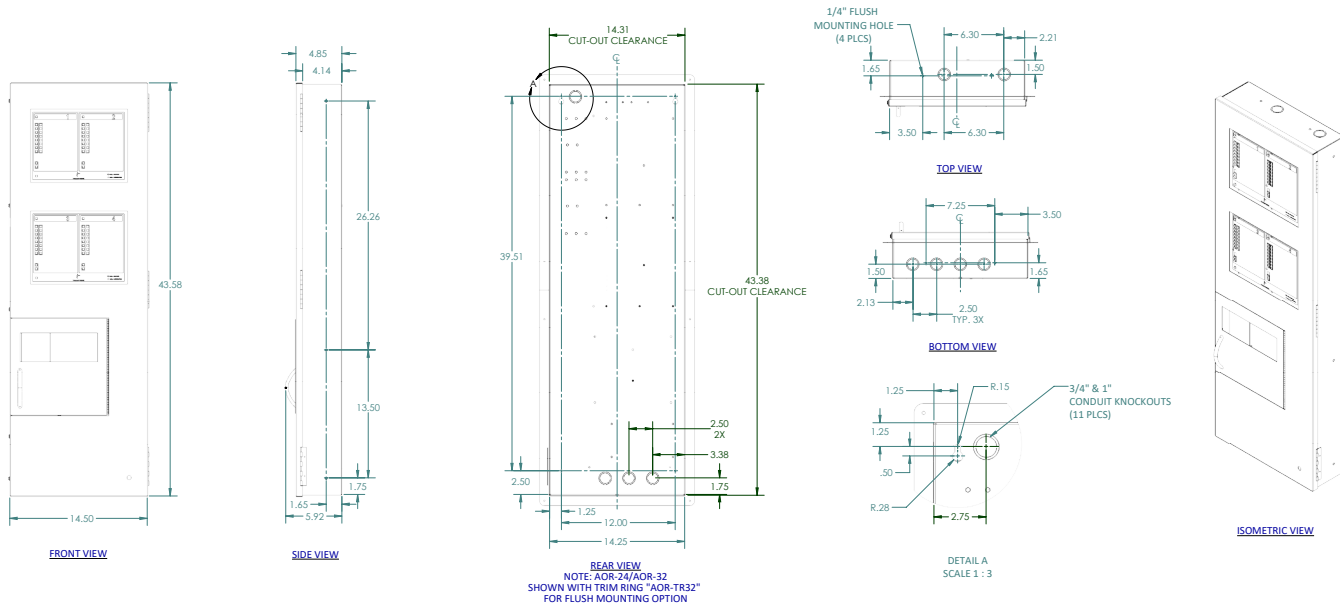
## DIMENSIONAL DRAWING – AOR-16

All dimensions are in inches and are provided for reference only.



## DIMENSIONAL DRAWING – AOR-32

All dimensions are in inches and are provided for reference only.



THE LEADERS IN SECURITY AND LIFE SAFETY COMMUNICATIONS

Tel: 773-539-1100  
 Email: [info@talkaphone.com](mailto:info@talkaphone.com)  
 Web: [www.talkaphone.com](http://www.talkaphone.com)

7530 North Natchez Avenue  
 Niles, Illinois 60714

### Terms of Use and Limited Warranty

This Product includes intellectual property and proprietary rights owned by Talk-A-Phone, LLC and/or its licensors. Your use of this Product confirms your agreement that Talk-A-Phone, LLC and/or its licensors retain all right, title and interest in and to all such property; that your rights are to access and use the Product for your internal business use only; that all Product elements will be maintained as confidential; and that the Product may not be rented, leased or lent to third parties, reverse engineered, decompiled or disassembled, or otherwise used for any purpose other than as an access device for your premises.

Talk-A-Phone, LLC warrants Talk-A-Phone Emergency Phone, Call Station, and Wide-Area Emergency Broadcast System equipment against any defects in material and workmanship, under normal use, for a period of twenty-four (24) months from date of installation, provided that Talk-A-Phone receives a completed "Installation Certification" certifying the date on which the system has been installed. An "Installation Certification" card is enclosed with every unit. In the event that no "Installation Certification" is received by Talk-A-Phone, the twenty-four (24) months will commence on the date of shipment by Talk-A-Phone. Warranty period for the metal elements of models in the GP Series Pedestals, MT Series Towers, MTE Series Towers, MT/R Series Towers, PM Series Pedestals, SM Series Surface Mounts, Via Series Mounts, and WM Series Wall Mounts is five (5) years, under the same terms and conditions. Warranty period for Area of Rescue Products is sixty (60) months, under the same terms and conditions. Warranty period for Intercommunication Products is twelve (12) months, under the same terms and conditions. If the Product is found by Talk-A-Phone to be defective within the warranty period, Talk-A-Phone's only obligation, and your exclusive remedy, is for the repair or replacement of any defective parts, provided that the Product is returned to us at 7530 N. Natchez Ave., Niles, IL 60714. Talk-A-Phone shall have no obligation to furnish or pay for the labor of any third parties or bear the expense of shipping defective Products for repair. In no event shall Talk-A-Phone or its licensors or suppliers be liable for any form of exemplary or punitive damages, or any special, indirect or consequential damages. TALK-A-PHONE EXPRESSLY DISCLAIMS ALL OTHER WARRANTIES, WHETHER EXPRESS, IMPLIED OR STATUTORY, INCLUDING BUT NOT LIMITED TO THE IMPLIED WARRANTIES OF MERCHANTABILITY OR FITNESS FOR A PARTICULAR PURPOSE. In no event shall Talk-A-Phone or its licensors or suppliers be liable for any form of exemplary or punitive damages, or any special, indirect or consequential damages. Your use of this Product constitutes your agreement to all of the foregoing terms.

THIS WARRANTY GIVES YOU SPECIFIC LEGAL RIGHTS AND YOU MAY ALSO HAVE OTHER RIGHTS WHICH VARY FROM STATE TO STATE. Further information is available at [talkaphone.com/legal](http://talkaphone.com/legal)

Copyright 2021 Talk-A-Phone, LLC All Rights Reserved - Rev. 2/24/2021