



S6000 Spectra™ Exit Devices

Spectra Class - Specification Grade Exit Devices for superior Architectural Style & Performance

The new mechanical SDC S6000 Spectra™ series panic and fire rated exit devices are available in rim mount, mortise and surface vertical rod configurations. Spectra Class mechanical exit devices are UL listed and ANSI A156.3 Grade 1 compliant and comply with all national and state building and fire life safety codes. The SDC Spectra series exit devices have a modern look and quiet push pad operation.



Delayed Egress



Exit Alarm



Electric Frame Actuator



Electric Latch Retraction



- Panic and fire exit hardware
- ANSI/BHMA A156.3-2001 Grade 1 Compliant
- CA Title 19 Compliant
- Meets/Exceeds ADA requirements
- UBC 97, Standard 7.2

Patents Pending

- Panic & Fire Exit Hardware
- ANSI/BHMA A156.3 Grade 1



S6000 Spectra™ Exit Device Standard Series

Application

1-3/4"(44 mm) door thickness standard.
Specify thickness other than 1-3/4".

- RHR or LHR hollow metal, wood and mineral core doors.

Device Specifications

Device Head Cover: Zinc alloy or stainless steel

Chassis: Steel, plated

Housing: Extruded aluminum

Push Bar Base: Extruded aluminum

Touch Plate: Stainless steel

Mounting: Machine screws standard. Sex bolts optional. Order "SNB" for wood or non-reinforced metal doors

End Cap: Zinc alloy

Hand: Non-handed

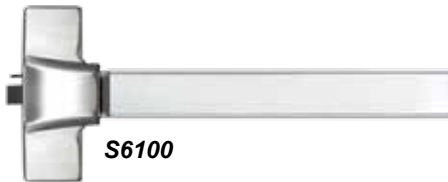
Dogging: Allen-type key furnished

Finish: 630 Stainless Steel
Special Finishes POA

Outside Trims: Order separately

UL Listed: ANSI/BHMA Grade1 Panic Exit Hardware, 3-Hour Fire Exit Hardware.

Rim Mount Exit Devices



For use on single doors or pair of doors with mullion

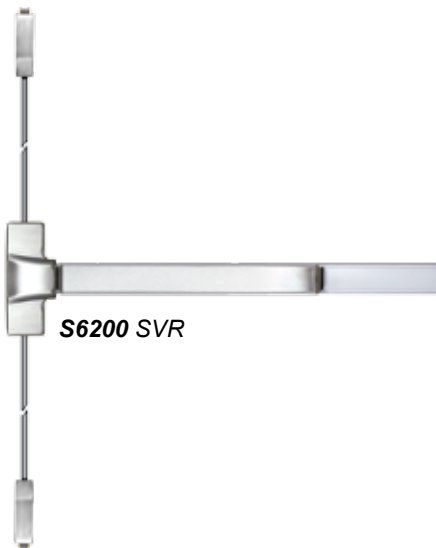
- Minimum Stile Width : 4 1/2"(114 mm)

Latch Bolt: Stainless steel, 3/4"(19mm) throw

Latch: Deadlocking, Stainless steel,
5/8"(16mm) throw

Strike: Stainless steel

Surface Vertical Rod Exit Devices*



For use on single doors or pair of doors

- Minimum Stile Width : 3 1/2" (89 mm)

Top Latch: Stainless steel 37/64" (14.8mm)

Top Strike: Included

Bottom Latch: Stainless steel 37/64" (14.8mm)

Bottom Strike: Included

Latch Case Covers:

Steel, stainless steel or brass

Vertical Rods: Aluminum tube

Standard height: For 7'0" doors

*LBR Device - Less Bottom Rod



Mortise Exit Device



For use on single doors or active leaf of double doors

Mortise Lock Specifications

Lock Case :

Steel plated 6 1/16" x 3 15/16" x 29/32"
(154mm x 100mm x 23mm)

Anti-friction Latchbolt : 3/4"(19mm) throw

Hand: Reversible without removing the lock from the door

Auxiliary Deadlocking Bolt :

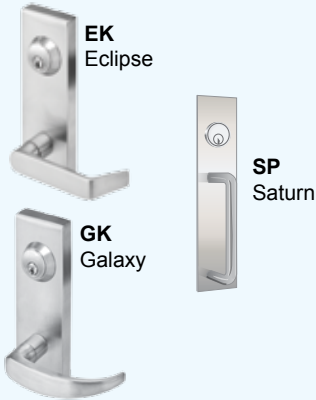
Non-handed, stainless steel

Faceplate:

Adjustable, 19/32" stainless steel or brass.

Strike : ANSI 4 7/8"

Mechanical Trim



Trim

Dummy Trim: EK02, GK02, SP02
Key Retracts Latchbolt: EK03, GK03, SP03
Key Locks/Unlocks Lever: EK08, GK08
No Cylinder Lever Always Active: EK14, GK14

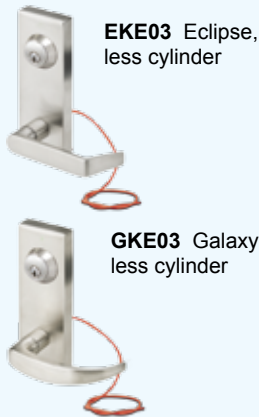
Finish

U 630 Dull Stainless Steel standard

Options

- 1 rim cylinder required for 03, mortise cylinder required for 08 function
 - 1 mortise cylinder required for CD option
- CD** Keyed dogging. Specify key cylinder separately.
 Not available with (F) fire exit device.
- CYL-6KDQ** 6 pin, 1.125" mortise cylinder, keyed different, dull chrome
- CYL-6KAQ** 6 pin, 1.125" mortise cylinder, keyed alike, dull chrome
- RIM-CYL** 5 pin, 1.125" mortise cylinder, keyed different, dull chrome

Electric Trim



Features

- Failsecure, field reversible to failsafe
- 4 ft. cable and connectors
- 12/24VDC @ 600/300 mA

Finish

U 630 Dull Stainless Steel standard

Trim

EKE03 Eclipse style electric trim, less mortise cylinder
GKE03 Galaxy style electric trim, less mortise cylinder

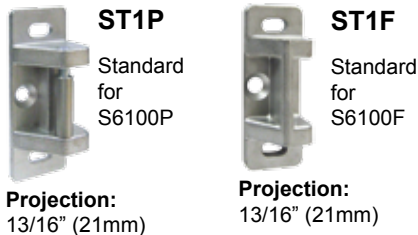
Options

LS Locked/unlocked status, SPDT 3 Amp contact

STRIKES (SCREWS INCLUDED)

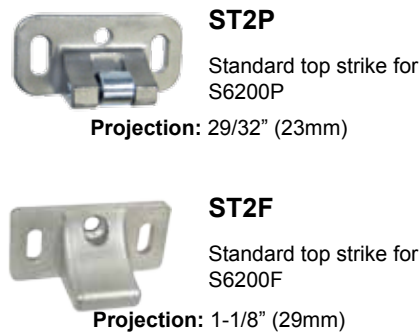
RIM DEVICES USE

Rim Strikes



SURFACE / CONCEALED VERTICAL ROD DEVICES USE

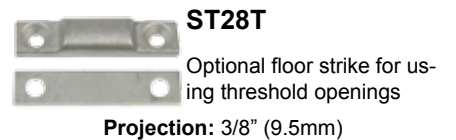
Top Strikes



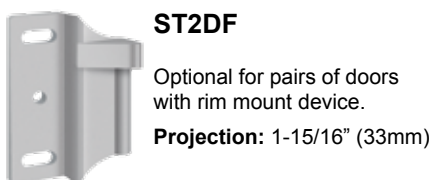
Bottom Strikes (Floor Strikes)



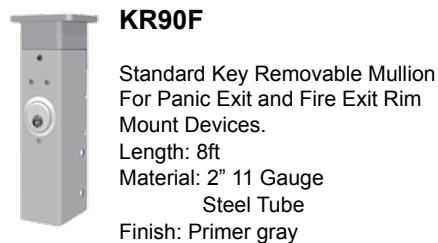
Optional Threshold Strikes



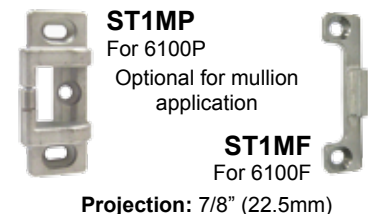
OPTIONAL DOUBLE DOOR STRIKE



REMOVABLE MULLION



Optional Mullion Strike



How to Specify S6000

Model

--	--	--	--	--	--	--	--

Spectra Series Exit Device

- S61** Rim mount
S62 Surface vertical rod
S63 Mortise

ANSI Functions

--	--	--	--	--	--	--

- 01** Exit only, No Trim
02 Dummy pull or lever (opens when dogged)
03 Lever or pull, key latch retraction
08 Lever with key locks/unlocks lever
14 Lever trim always active

Panic or Fire Rated

--	--	--	--	--	--	--

- P** Panic Exit Device
F Fire Exit Device

- P - Mechanical dogging STD;
 (Add part # **CD** for optional key cylinder dogging)
 F - Mechanical dogging not available

Handing

--	--	--	--	--	--	--

- RR** Right hand reverse bevel, RHRB
LR Left hand reverse bevel, LHRB

Finish

Headcover, touchpad and endcap

--	--	--	--	--	--	--

- U** 630 Dull Stainless Steel standard

Length

--	--	--	--	--	--	--

- 36** For 36" Door **42** For 42" Door **48** For 48" Door

Options

--	--	--	--	--	--	--

- R** Request-To-Exit Output, SPDT
L Latch Status Output, SPDT

Mechanical Trim



EK Eclipse



GK Galaxy



SP Saturn

Trim

Dummy Trim: **EK02, GK02, SP02**

Key Retracts Latchbolt: **EK03, GK03, SP03**

Key Locks/Unlocks Lever: **EK08, GK08**

No Cylinder Lever Always Active: **EK14, GK14**

Finish

- U** 630 Dull Stainless Steel standard

Options

- 1 rim cylinder required for 03, mortise cylinder required for 08 function
- 1 key cylinder required for CD option

CD Keyed dogging. Specify key cylinder separately. Not available with (F) fire exit device.

CYL-6KDDQ 6 pin, 1.125" mortise cylinder, keyed different, dull chrome

CYL-6KAQ 6 pin, 1.125" mortise cylinder, keyed alike, dull chrome

RIM-CYL 5 pin, 1.125" mortise cylinder, keyed different, dull chrome

Electric Trim

Features

- Failsecure, field reversible to failsafe
- Audible tone
- 4 ft. cable and connectors
- 12/24VDC @ 600/300 mA



EKE03 Eclipse, less cylinder



GKE03 Galaxy, less cylinder

Trim

EKE03 Eclipse style electric trim, less cylinder

GKE03 Galaxy style electric trim, less cylinder

Finish

- U** 630 Dull Stainless Steel standard
C 605 Bright Brass **G** 612 Dull Bronze **P** 625 Bright Chrome
D 606 Dull Brass **Q** 626 Dull Chrome

Options

- LS** Locked/unlocked status, SPDT 3 Amp contact

Ordering Example

Trim	Finish	Options
------	--------	---------

How to Specify S6000 Electrical Options



- A** Exit Alarm, 9V battery powered
- B** Exit Alarm, 12-24V AC/DC input, 9V battery backup



- 100 dB alarm; visual and audible On/Off status: Armed - green LED blinks every 4 seconds, Alarm mode - red LED, Bypass - no LED
- Remote status output
- 15 or 60 second arming delay
- 2 modes: Continuous alarm with manual key reset; Automatic re-arm 2 minutes after door closes with any manual key reset before 2 minutes.



- Options**
- REX and latch status outputs

- DE** Delayed egress exit device
Electrification of master exit device and wall mount controller with keypad control and reset



- KDE** Keypad controller with redundant key switch capable of all keypad control features
- DES** For pair of doors, additional exit device equipped with delayed egress mechanism, less controller. Must be ordered together with DE and device.

602RF 1 Amp power supply

- User PIN codes may be assigned to 1, 2 or all control functions. Reset, sustained bypass and momentary bypass (REX)
- Audible alarm voice release time, warning or safety message
- Visual display countdown, locked/unlocked, egress executed
- Selectable nuisance



Operations

- NA** IBC, IFC, NFPA compliant, Field Selectable 15 to 30 second Exit Delay, 1 or 2 Nuisance Delay
- NC** IBC, IFC, NFPA 101, NFPA 1-UFC, UBC, SBC compliant, Fixed 15 second Exit Delay, 0/1 Nuisance Delay, Calif. Building Code OSHPD/Manual Power Up
- ND** IBC, IFC, NFPA 101, NFPA 1-UFC, UBC, SBC compliant, Fixed 15 second Exit Delay, 0/1 Nuisance Delay
- BC** BOCA National Building Code/City of Chicago Compliant, Fixed 15 second Exit Delay, 0 Nuisance Delay, Auto Reset 30 seconds
- BD** BOCA National Building Code, Fixed 15 second Exit Delay, 0/1 Nuisance Delay, Auto Reset 30 seconds

Options

- DEC-J** 3 Gang Interior surface mount box for 101-DEC
- SHD-J** Shroud for surface mount box DEC-J outdoor use



101-DE with SHD-J

How to Specify S6000 Electrical Options cont.

E Electric Latch Retraction



Operation: Momentary or maintained latch bolt and push pad retraction, with simultaneous dogging.
Automatic re-triggering of latch retraction

Voltage: 24VDC @ 700 mA activation, 200 mA continuous

602RF 1 Amp power supply (1 EMC max)

632RF 2 Amp power supply (2 EMC max)

EMC 2-station sequencer required for automatic doors only.

Monitoring Available Latch status and REX output available



G Electric Dogging



When energized by optional built-in or remote switch manual, depressing the pushpad, causes the pushpad and latch to remain retracted (unlocked) providing push-pull door operation. When de-energized or signaled by a fire alarm, the pushpad and latch are released.

Voltage 170/100 mA @ 12/24VDC

Monitoring Available Latch status and REX output available



How to Specify S6000 Electrical Options cont.

--	--	--	--	--	--	--	--

H Hitower Pro Frame Actuator Controlled Fire Exit Device



Features include failsafe operation and unlocks by access control, power loss or signal from fire command center. Door stays latched even when unlocked. All wiring is maintained in the strike jamb. Complies with national building and fire codes

Specify Handing and Voltage: 24VDC, 24VAC, 115VAC

Status Output Options

- L** Latch position status output, SPDT, 3 Amp
- S** Latch & deadlocked status output, SPDT, 3 Amp

Trim Options

- | | | |
|----------------------------------|---------------------------------|-------------------------------|
| EE03 Eclipse x Escutcheon | GE03 Galaxy x Escutcheon | NE03 Nova x Escutcheon |
| E03 Eclipse | G03 Galaxy | N03 Nova |



M Electric Mortise Exit Device

- MF** **Fail-safe** Electric Mortise Exit Device
- MS** **Fail-secure** Electric Mortise Exit Device



- Field reversible failsecure/failsafe.
- Remains latched when unlocked for fire door integrity
- Failsafe (F) fire rated device for stairwell doors
- Power loss or signal from fire command center releases failsafe device immediately

Voltage 600/300 mA @ 12/24VDC

Options

- D** Door Position



Power Transfer Options

Concealed Electric Power Transfer

PTM Heavy Duty Series Electric Power Transfer Device

SDC's heavy duty Electric Power Transfer Device provides a concealed and secure means of transferring electric lock and exit device power and signal wires from the frame to the door. Completely concealed when the door is closed the PTM Electric Power Transfer Device is ideal for heavy traffic and applications requiring higher security to inhibit tampering and abuse.



2 Conductor: Two (2) 18 Ga. wires, 5 Amp @ 12/24 V AC/DC

PTM-2AL Aluminum Powder Coat, US28 equivalent

PTM-2BZ Dark Brown Powder Coat, US10B equivalent

10 Conductor: Ten (10) 24 Ga. wires, 1 Amp @ 12/24V AC/DC

PTM-10AL Aluminum Powder Coat, US28 equivalent

PTM-10BZ Dark Brown Powder Coat, US10B equivalent

Fire Rated Concealed Mortise Power Transfer

PT-5 Concealed Mortise Mount Power Transfer Loop

Frame mortised steel dust box with flexible steel loop and chrome finish. Recommended for use with hollow metal frames. UL Listed

Dimensions: 11.5"H x 1"W x 0.75"D (292 x 25.4 x 19mm)

UL LISTED 10B Listed For
3 Hrs Fire Rated Doors

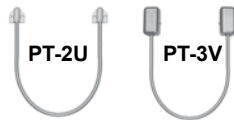


Power Transfer Loops

18" (447mm) stainless steel armored flex conduit with small plastic end caps or termination box. Recommended for use with hollow metal and aluminum frames.

PT-2U With end caps

PT-3V With aluminum wire termination box



Power Transfer Hinge



10B Listed for 3hr Fire Rated Door

DPS Contact
Optional

Features

- UL10B Listed for 3 Hr Fire Doors. If the hinge you are presently using does not bear the F mark, it is not listed for use with fire doors.
- 500,000 cycles. 5 times UL test criteria
- Wire Replacement Warranty
- 5ft wire cable

Application

Installed in the center hinge position of the door, PTH Power Transfer Hinges provide the concealed wires required between the door and the frame, for the purpose of powering and monitoring electric door hardware.

- Electric Lock Power and Control
- Door and Lock Status Signaling
- Request-to-Exit Signaling

PTH-4 Four conductor hinge, 1 Amp @ 12/24V per pair, 4.5" x 4.5" five knuckle standard weight

PTH-10 Ten conductor hinge, 1 Amp @ 12/24V per pair, 4.5" x 4.5" standard weight

Consult factory for 3 knuckle, or special sizes

Finish

All base material steel

Q 626 Dull Chrome (*standard*) **H** 613 Oil Rubbed Bronze

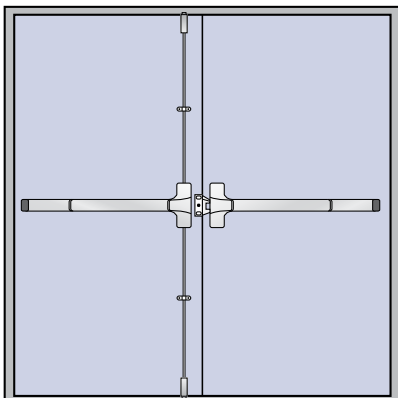
C 605 Bright Brass

P 625 Bright Chrome

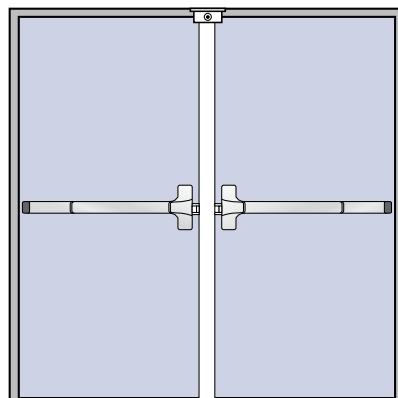
Options

DPS Concealed Door Position Switch SPDT, 250mA @ 30VDC

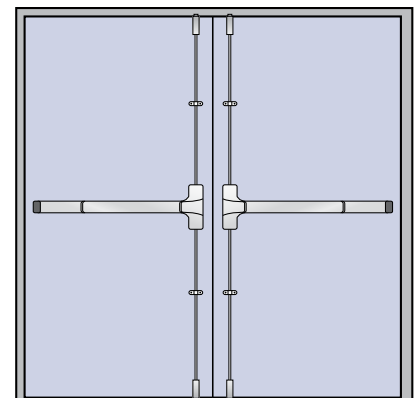
DOUBLE DOOR APPLICATIONS



Rim Device and SVR Device combination - same direction. Overlapping astragal is not required, but coordinator required with a double door strike



Two Rim Devices on 2 independent active doors with removable mullion.



Two Surface Vertical Rod (SVR) - same direction. Overlapping astragal is not required.