

# XNP-6320RH

2MP 32x Network IR PTZ Camera

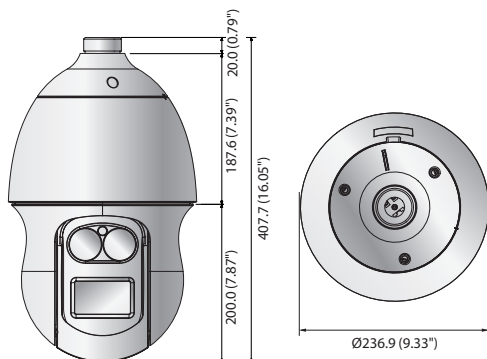


## Key Features

- 2 Megapixel (1920 x 1080) resolution
- 4.44 ~ 142.6mm (Optical 32x) lens (XNP-6320RH)
- IR viewable length : 200m (656ft)
- Day & Night (ICR), WDR (150dB), DIS (Built-in gyro sensor)
- Intelligent Video / Audio Analytics, Shock detection
- Azimuth display (Cardinal & intermediate directions)
- Multiple streaming, WiseStream II support
- H.265, H.264, MJPEG codec support
- MicroSD / SDHC / SDXC memory 2 slots (Up to 512 GB)
- IP66, IK10, HPoE Injector included, 24VAC

## Dimensions

Unit : mm (inch)



## Accessories (Optional)



**XNP-6320RH**

<b>VIDEO</b>	
Imaging Device	1/2.8" 2 MP CMOS
Effective Pixels	1944(H) x 1212(V)
Minimum Illumination	Color : 0.05Lux (F1.6, 1/30sec) BW : 0Lux (IR LED On)
Video Out	CVBS : 1.0 Vp-p / 75Ω composite, 720 x 480 for installation
<b>LENS</b>	
Focal Length (Zoom Ratio)	4.44~142.6mm (32x) zoom
Maximum Aperture Ratio	F1.6 (Wide)~F4.4 (Tele)
Angular Field of View	H : 61.8°(Wide)~2.19°(Tele) / V : 36.2°(Wide)~1.24°(Tele)
Minimum Object Distance	Wide : 1.5m (4.92ft), Tele : 2m (6.56ft)
Focus Control	Oneshot AF
Lens Type	DC auto iris
<b>PAN / TILT / ROTATE</b>	
Pan Range	360° Endless
Pan Speed	Preset : 400°/sec, Manual : 0.024°/sec~250°/sec
Tilt Range	95° (-5°~90°)
Tilt Speed	Preset : 250°/sec, Manual : 0.024°/sec~250°/sec
Sequence	Preset (300ea), Swing, Group (6ea), Trace, Tour, Auto Run, Schedule
Preset Accuracy	±0.2°
Azimuth	Support cardinal & intermediate directions
Auto Tracking	Support
<b>OPERATIONAL</b>	
IR Viewable Length	200m (656.17ft)
Camera Title	Displayed up to 85 characters, 5 lines, English / Numeric / Special & International characters, 6 colors, Transparency, Auto scale by resolution
Day & Night	Auto (ICR)
Backlight Compensation	WDR, HLC, BLC, SSSDR
Wide Dynamic Range	150dB
Digital Noise Reduction	SSNR V
Digital Image Stabilization	Support (built-in gyro sensor)
Defog	Support
Motion Detection	8ea, 8point polygonal zones
Privacy Masking	32ea, rectangular Support - Color : Grey / Green / Red / Blue / Black / White - Mosaic
Gain Control	Low / Middle / High
White Balance	ATW / AWC / Manual / Indoor / Outdoor
Electronic Shutter Speed	Minimum / Maximum / Anti flicker (2~1/12,000sec)
Video Rotation	Flip, Mirror
Analytics	Directional/Virtual Line detection, Fog detection, Face detection, Motion detection, Appear/Disappear, Enter/Exit, Loitering, Tampering, Audio detection, Sound classification, Shock detection
Serial Interface	RS-485 (Samsung-T, Pelco-D/P, Panasonic, Bosch, AD, GE, Vicon, Honeywell)
Alarm I / O	Input 4ea / Output 1 ea
Alarm Triggers	Analytics, Network disconnect, Alarm input
Alarm Events	File upload via FTP and e-mail, Notification via e-mail, SD/SDHC/SDXC or NAS recording at event triggers, Alarm output, PTZ Preset
Audio In	Selectable (mic in/line in) Supply voltage : 2.5VDC (4mA), Input impedance : 2K Ohm
Audio out	Line out, Maximum output level : 1Vrms

**XNP-6320RH**

<b>NETWORK</b>	
Ethernet	RJ-45 (10/100BASE-T), SFP (Optional)
Video Compression	H.265 / H.264 (MPEG-4 Part 10 / AVC) : Main / Baseline / High, Motion JPEG
Resolution	1920 x 1080, 1280 x 1024, 1280 x 960, 1280 x 720, 1024 x 768, 800 x 600, 800 x 448, 720 x 576, 720 x 480, 640 x 480, 640 x 360, 320 x 240
Maximum Framerate	H.265/H.264 : Maximum 60fps MJPEG : Maximum 30fps
Smart Codec	Manual (5ea area), WiseStream II
Video Quality Adjustment	H.264/H.265 : Target bitrate level control MJPEG : Target bitrate level control
Bitrate Control	H.264/H.265 : CBR or VBR MJPEG : VBR
Streaming	Unicast (20 users) / Multicast (128 user) Multiple streaming (Up to 10 profiles)
Audio Compression	G.711 u-law /G.726 Selectable G.726(ADPCM) 8KHz, G.711 8KHz G.726 : 16Kbps, 24Kbps, 32Kbps, 40Kbps AAC-LC : 48Kbps at 16KHz
Protocol	IPv4, IPv6, TCP/IP, UDP/IP, RTP(UDP), RTP(TCP), RTCP,RTSP, NTP, HTTP, HTTPS, SSL/TLS, DHCP, FTP, SMTP, ICMP, IGMP, SNMPv1/v2c/v3(MIB-2), ARP, DNS, DDNS, QoS, PIM-SM, UPnP, Bonjour, LLDP, SRTSP
Security	HTTPS (SSL) login authentication, Digest login authentication, IP address filtering, User access log, 802.1X authentication (EAP-TLS, EAP-LEAP)
Edge Storage	Micro SD/SDHC/SDXC 2 slots total maximum 512GB
Application Programming Interface	ONVIF Profile S/G/T SUNAPI (HTTP API) Wisenet open platform
Webpage Language	English, Korean, Chinese, French, Italian, Spanish, German, Japanese, Russian, Swedish, Portuguese, Czech, Polish, Turkish, Dutch, Hungarian, Greek
Web Viewer	Supported OS : Windows 7, 8.1, 10, Mac OS X 10.10, 10.11, 10.12 Recommended Browser : Google Chrome Supported Browser : MS Explorer 11, MS Edge, Mozilla Firefox (Windows 64-bit only), Apple Safari (Mac OS X only)
Memory	1024MB RAM, 256MB Flash
<b>ENVIRONMENTAL</b>	
Operating Temperature / Humidity	24VAC : -50°C~+55°C (-58°F ~ +131°F) / Less than 90% RH HPoE : -40°C~+55°C (-22°F ~ +131°F) / Less than 90% RH *Start up should be done while above -35°C
Storage Temperature / Humidity	-50°C~+60°C (-58°F~+140°F) / Less than 90% RH
Certification	IP66, IK10
<b>ELECTRICAL</b>	
Input Voltage	24VAC, HPoE (IEEE802.3bt, Class7)
Power Consumption	24VAC : Maximum 83W (typical : 30W) HPoE : Max. 51W (typical : 30W), injector included
<b>MECHANICAL</b>	
Color / Material	Body : Ivory / Plastic, Head : Black / Plastic
Product dimensions / weight	Ø236.9x407.7mm (9.33x16.05"), 6.8Kg (14.99 lb), 1.5" NPS Male Thread
Fiber Optic Installation Base	SBP-303HF (SFP)

\* The latest product information / specification can be found at [hanwhasecurity.com](http://hanwhasecurity.com)

\* Design and specifications are subject to change without notice.

\* Wisenet is the proprietary brand of **Hanwha Techwin**.