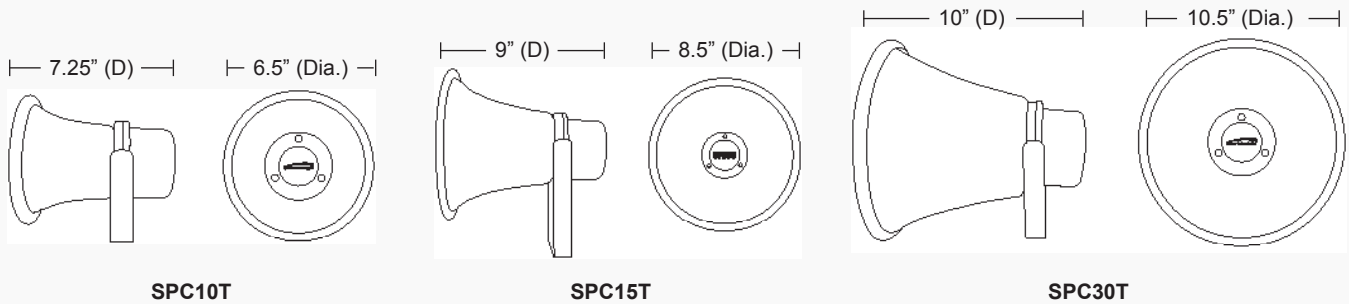


## Contractor Series 70/25V Weather Resistant P.A. Horn Speakers

- SPC10T** 6.5" Weather-Resistant Aluminum P.A. Horn - 70/25V
- SPC15T** 8.5" Weather-Resistant Aluminum P.A. Horn - 70/25V
- SPC30T** 10.5" Weather-Resistant Aluminum P.A. Horn - 70/25V

### Features

- Weather-resistant, aluminum construction
- Includes mounting bracket
- Rubber bell protector
- Selectable 70/25V transformer dial
- Manufactured to comply with RoHS standards
- 2 year warranty



### Specifications

	<b>SPC10T</b>	<b>SPC15T</b>	<b>SPC30T</b>
RMS Power .....	10W	15W	30W
Max. Power.....	20W	30W	60W
Transformer Type.....	70/25V	70/25V	70/25V
Transformer Power Taps .....	70V: 10W, 5W, 3W, 1W 25V: 10W, 5W, 1.3W, 0.6W, 0.4W, 0.1W	70V: 15W, 10W, 5W, 3W, 1W 25V: 15W, 10W, 3.7W, 1.9W, 1.3W, 0.6W, 0.4W, 0.1W	70V: 30W, 15W, 10W, 5W, 3W, 1W 25V: 30W, 15W, 10W, 3.7W, 1.9W, 1.3W, 0.6W, 0.4W, 0.1W
Termination Type .....	Wire strip	Wire strip	Wire strip
Sensitivity (1W/1M).....	103dB	105dB	107dB
Maximum SPL (Pmax/1m).....	113dB	117dB	122dB
Driver Impedance .....	8 Ohms	8 Ohms	8 Ohms
Magnet.....	4.1 oz. ferrite	4.9 oz. ferrite	5.3 oz. ferrite
Frequency Response Range .....	500Hz ~ 15kHz	450Hz ~ 15kHz	350Hz ~ 15kHz
Dispersion@100Hz .....	65° conical	75° conical	86° conical
Speaker Dimensions .....	6.5" (Dia.) x 7.25" (D)	8.5" (Dia.) x 9" (D)	10.5" (Dia.) x 10" (D)
Weight .....	2.6 lbs.	3.2 lbs.	3.9 lbs.
Material.....	Aluminum	Aluminum	Aluminum
Color.....	Grey	Grey	Grey

**NDA A**  
COMPLIANT