

MA Series 5.25" or 6.5" 70/25V Commercial ABS Plastic Back Can Speakers

- SP5MAT** 5.25" speaker, off-white housing
- SP6MAT** 6.5" speaker, off-white housing
- SP5MATB** 5.25" speaker, black housing
- SP6MATB** 6.5" speaker, black housing

Features

- ABS flame retardant back can
- Easy select transformer dial
- 25V or 70V selector switch
- Safety loop for additional mounting security
- Ported bass



Off-White

Sold individually



Black

Grilles included for both models >

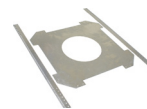


Specifications

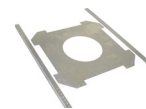
	SP5MAT/SP5MATB	SP6MAT/SP6MATB
RMS Power	30W	40W
Max. Power.....	60W	80W
Transformer Type	70/25V (selectable)	70/25V (selectable)
Transformer Power Taps	30W, 15W, 7.5W, 2.5W 1W, 0.5W, 0.25W, & 8 Ohms	40W, 30W, 15W, 7.5W, 5W, 2.5W 1W, 0.5W, 0.25W & 8 Ohms
Termination Type	Press terminal	
Sensitivity (1W/1M).....	87dB	88dB
Maximum SPL (Pmax/1M).....	91.4dB	92.3dB
Driver Impedance	8 Ohms	8 Ohms
Magnet.....	10 oz. ferrite	10 oz. ferrite
Frequency Response Range.....	57Hz ~ 20 kHz	34Hz ~20kHz
Dispersion @ 1000Hz	120° Conical	120° Conical
Drivers	5.25" Polypropylene woofer 1" Mylar tweeter	6.55" Polypropylene 1" Mylar tweeter
Speaker Dimensions	9.43" (Dia.) x 6.12" (D)	11.02" (Dia.) x 7.58" (D)
Mounting Dimensions.....	8.38" (Dia.)	9.88" (Dia.)
Weight	4.5 lbs.	5.5 lbs.
Material.....	Baffle: Fire-resistant ABS Backcan: Fire-resistant ABS Grille: Metal	Baffle: Fire-resistant ABS Backcan: Fire-resistant ABS Grille: Metal
Color	Off-White or Black	Off-White or Black

NDA A
COMPLIANT

Optional Accessories



BRC6F
Mounting Bracket
(use with SP5MAT)



BRC8F
Mounting Bracket
(use with SP6MAT)

Speco Technologies is constantly developing and improving products. We reserve the right to modify product design and specifications without notice and without incurring any obligation. Spec Rev. 10/6/20



MA Series 5.25” 70/25V Commercial ABS Plastic Back Can Speakers

Architect & Engineer Specifications / SP5MAT / SP5MATB

The loudspeaker system shall be Speco Technologies SP5MAT. System shall include a high performance 5.25” coaxial loudspeaker, ported bass reflex enclosure and press-fit grille for conventional ceiling installation.

The total frequency response for the system shall be 57 Hz – 20 kHz.

Sensitivity shall be 87dB average.

Loudspeaker shall be comprised of a 5.25” coaxial cone type driver. Cone shall be constructed of polypropylene with a rubber surround. The 1” tweeter shall be constructed of Mylar. Magnet shall be Ferrite and a minimum of 10 oz.

Transformer shall be a 70.7V / 25V type with .25, .5, 1.0, 2.5, 5.0, 7.5, 15.0, and 30.0 watt primary taps (@70.7V) with a front mounted tap selector switch to include transformer bypass setting for 8Ω direct coupled operation.

Enclosure shall be a flame-retardant ABS Plastic enclosure design.

External wiring shall be accomplished via press-terminals to provide both secure wire termination and fast installation of wires.

Seismic support eye shall be provided on side of enclosure for additional suspension point when used in drop tile ceilings.

The mounting system shall be Speco Technologies BRC6F and include a support backing plate to reinforce the ceiling material and tile support rails for use on either 2’ x 4’ or 2’ x 2’ suspended ceiling tiles. This assembly can all be installed from beneath the ceiling tile.

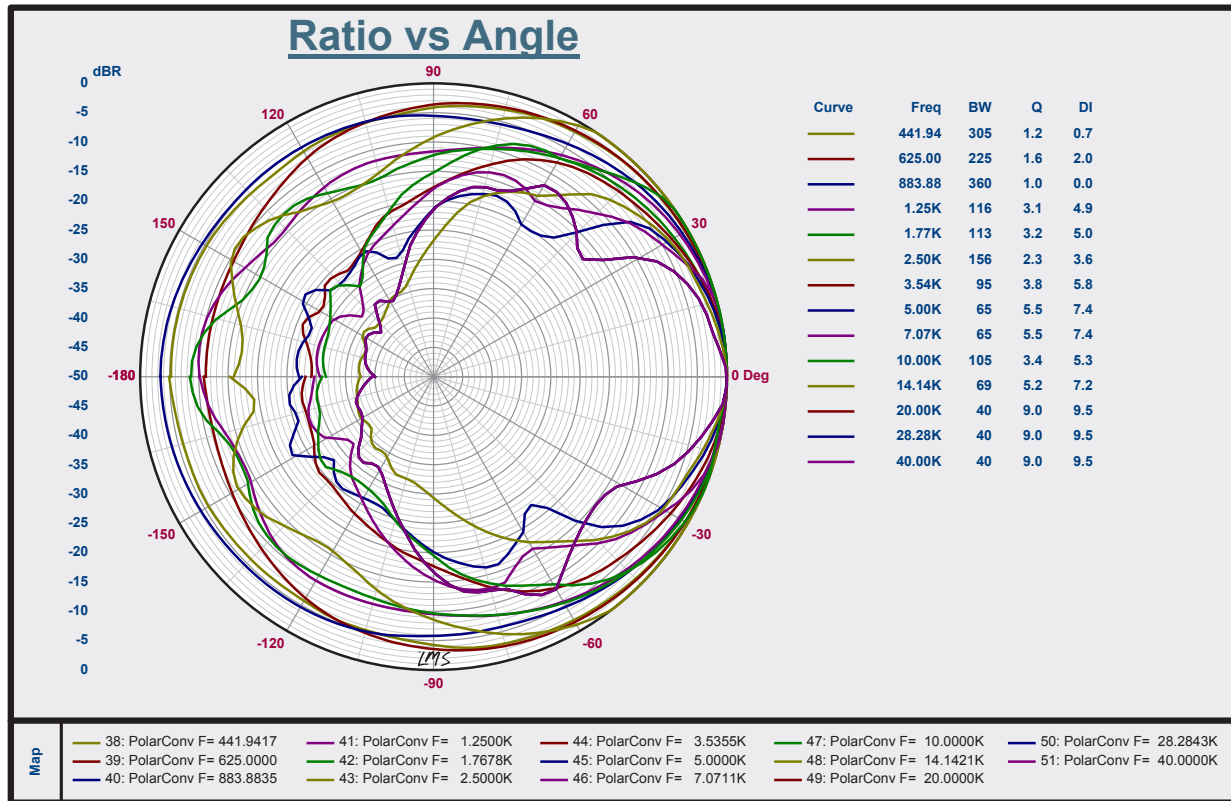
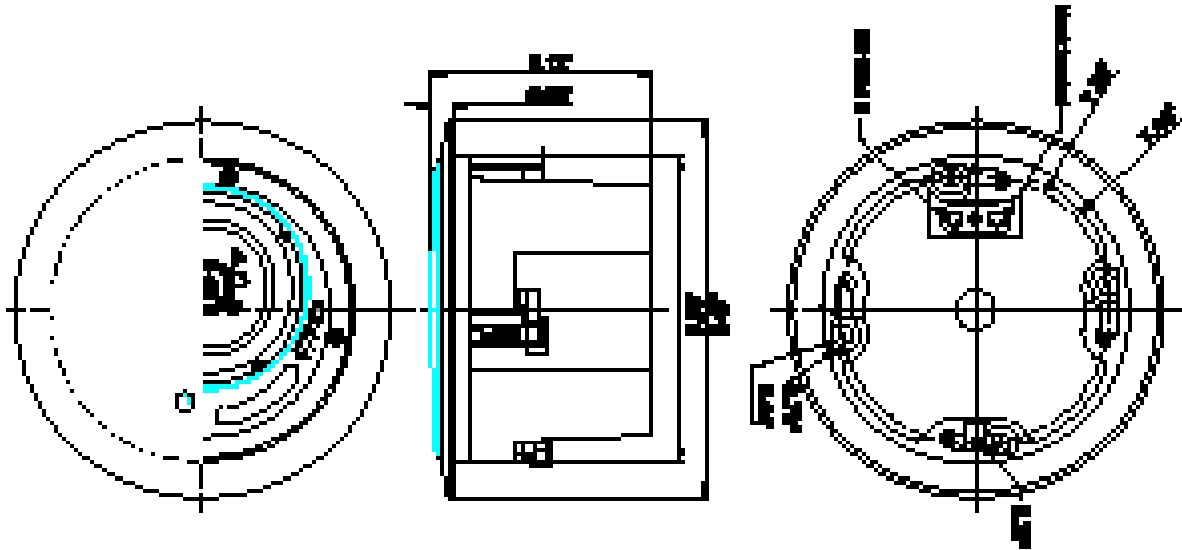
Overall front face diameter shall not exceed 9.43”; overall depth from the bottom of the ceiling shall not exceed 6.12”.

Grilles shall be press-fit, manufactured from 24-gauge perforated steel mesh and finished in white epoxy. Round grill shall be 8.05” diameter.

The loudspeaker shall be off-white and shall be the Speco Technologies SP5MAT.

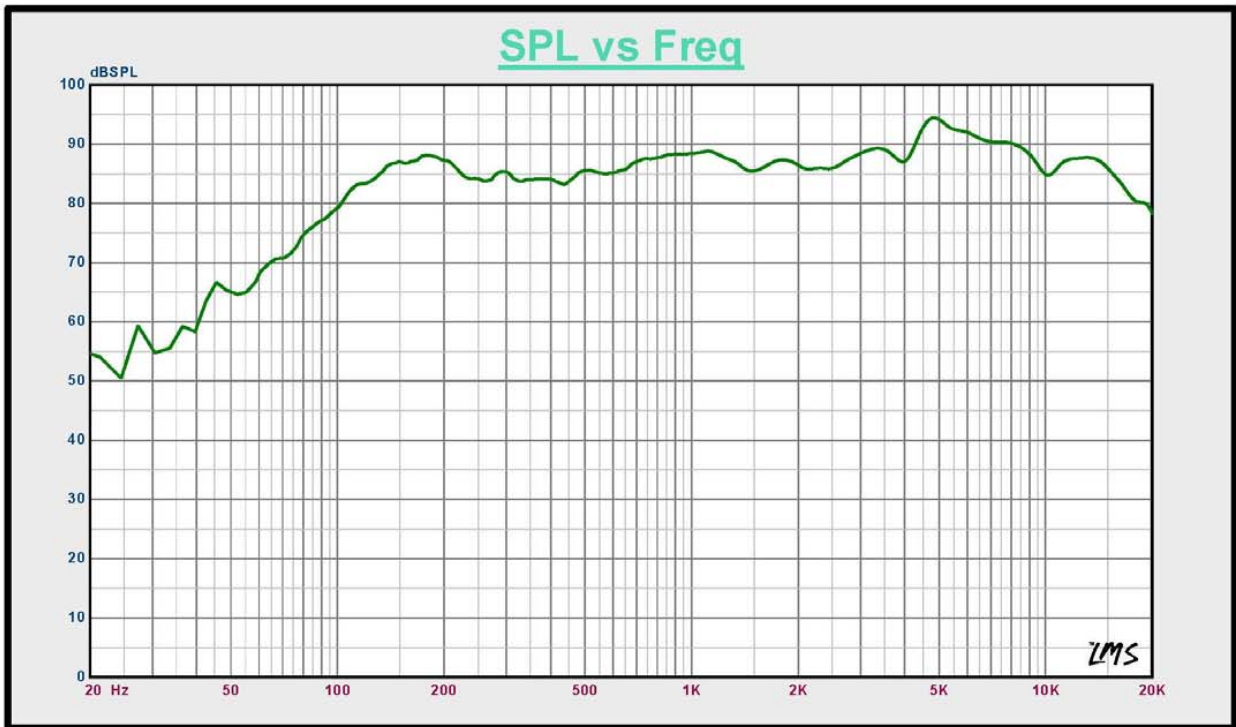
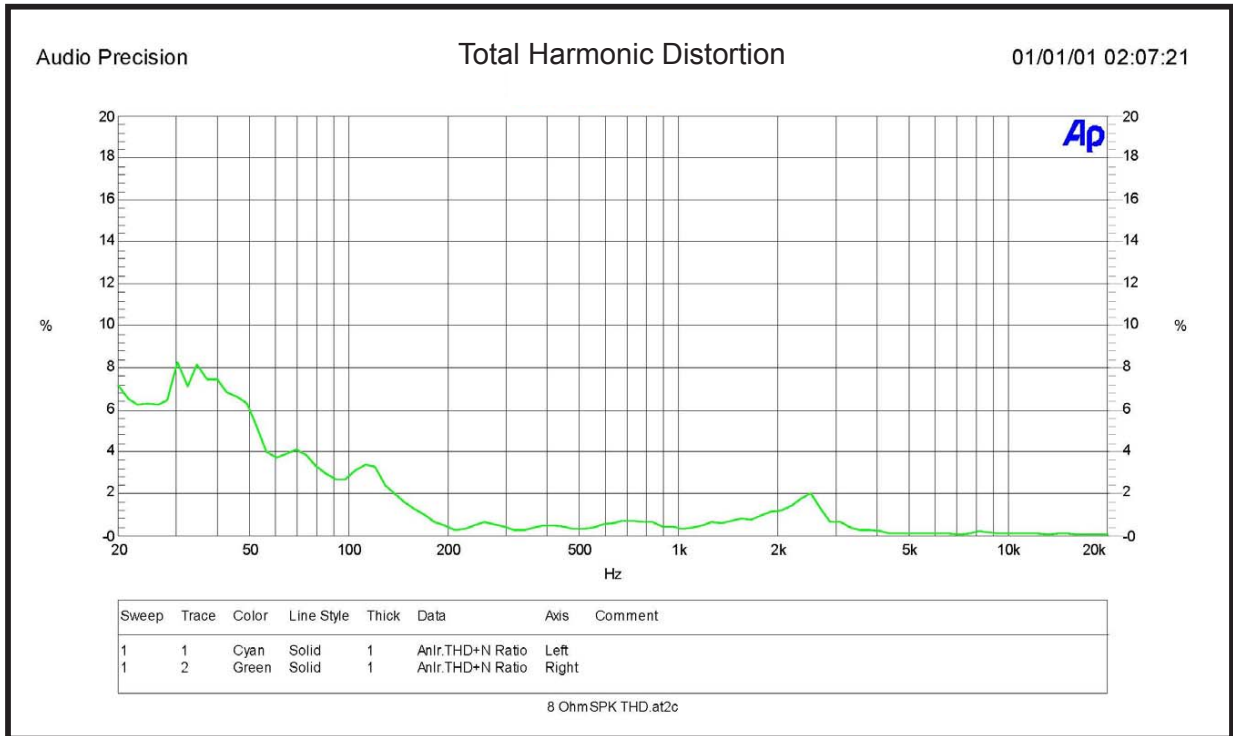
The loudspeaker shall be black and shall be the Speco Technologies SP5MATB.

SP5MAT / SP5MATB Product Dimensions



Speco Technologies is constantly developing and improving products.
 We reserve the right to modify product design and specifications without
 notice and without incurring any obligation. Spec Rev. 10/6/20

SP5MAT / SP5MATB





MA Series 6.5” 70/25V Commercial ABS Plastic Back Can Speakers

Architect & Engineer Specifications / SP6MAT / SP6MATB

The loudspeaker system shall be Speco Technologies SP6MAT. System shall include a high performance 6.5” coaxial loudspeaker, ported bass reflex enclosure and press-fit grille for conventional ceiling installation.

The total frequency response for the system shall be 34 Hz – 20 kHz.

Sensitivity shall be 88dB average.

Loudspeaker shall be comprised of a 6.5” coaxial cone type driver. Cone shall be constructed of polypropylene with a rubber surround. The 1” tweeter shall be constructed of Mylar. Magnet shall be Ferrite and a minimum of 11 oz.

Transformer shall be a 70.7V / 25V type with .25, .5, 1.0, 2.5, 5.0, 7.5, 15.0, 30.0 and 40.0 watt primary taps (@70.7V) with a front mounted tap selector switch to include transformer bypass setting for 8Ω direct coupled operation.

Enclosure shall be a flame-retardant ABS Plastic enclosure design.

External wiring shall be accomplished via press-terminals to provide both secure wire termination and fast installation of wires.

Seismic support eye shall be provided on side of enclosure for additional suspension point when used in drop tile ceilings.

The mounting system shall be Speco Technologies BRC8F and include a support backing plate to reinforce the ceiling material and tile support rails for use on either 2’ x 4’ or 2’ x 2’ suspended ceiling tiles. This assembly can all be installed from beneath the ceiling tile.

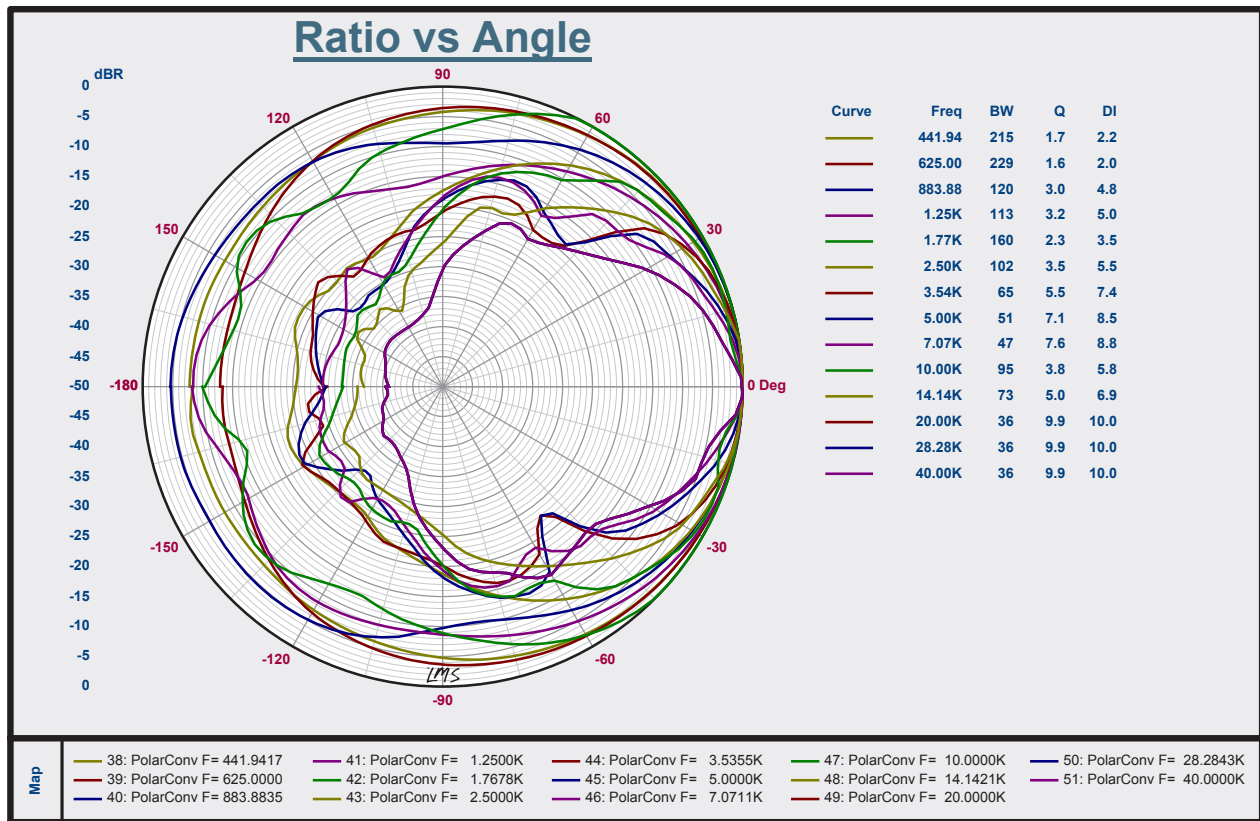
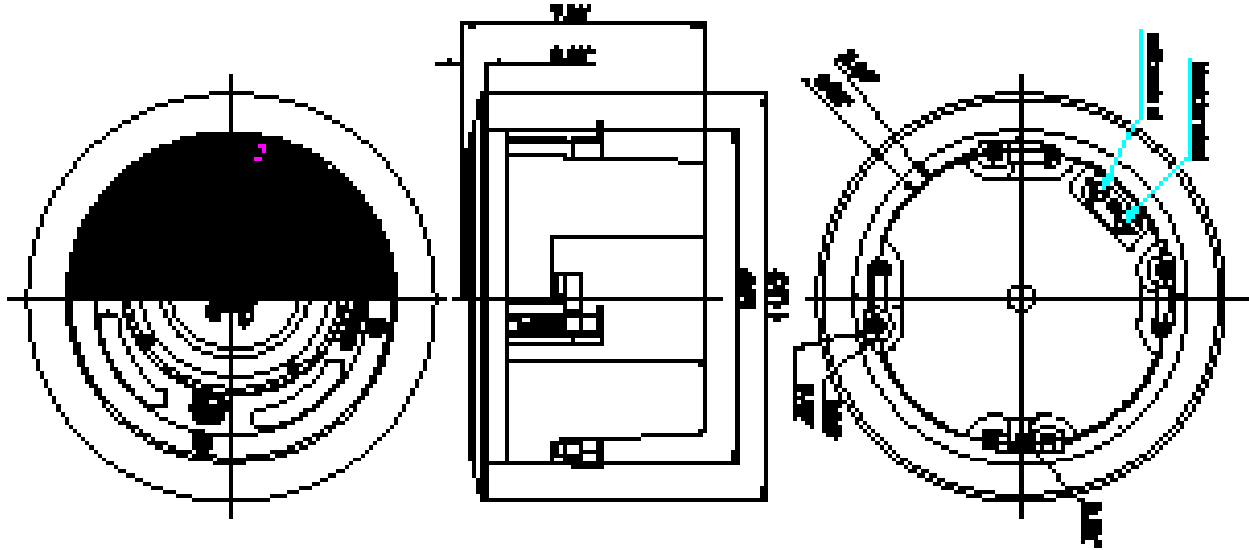
Overall front face diameter shall not exceed 11”; overall depth from the bottom of the ceiling shall not exceed 7.58”.

Grilles shall be press-fit, manufactured from 24-gauge perforated steel mesh and finished in white epoxy. Round grill shall be 9.69” diameter.

The loudspeaker shall be off-white and shall be the Speco Technologies SP6MAT.

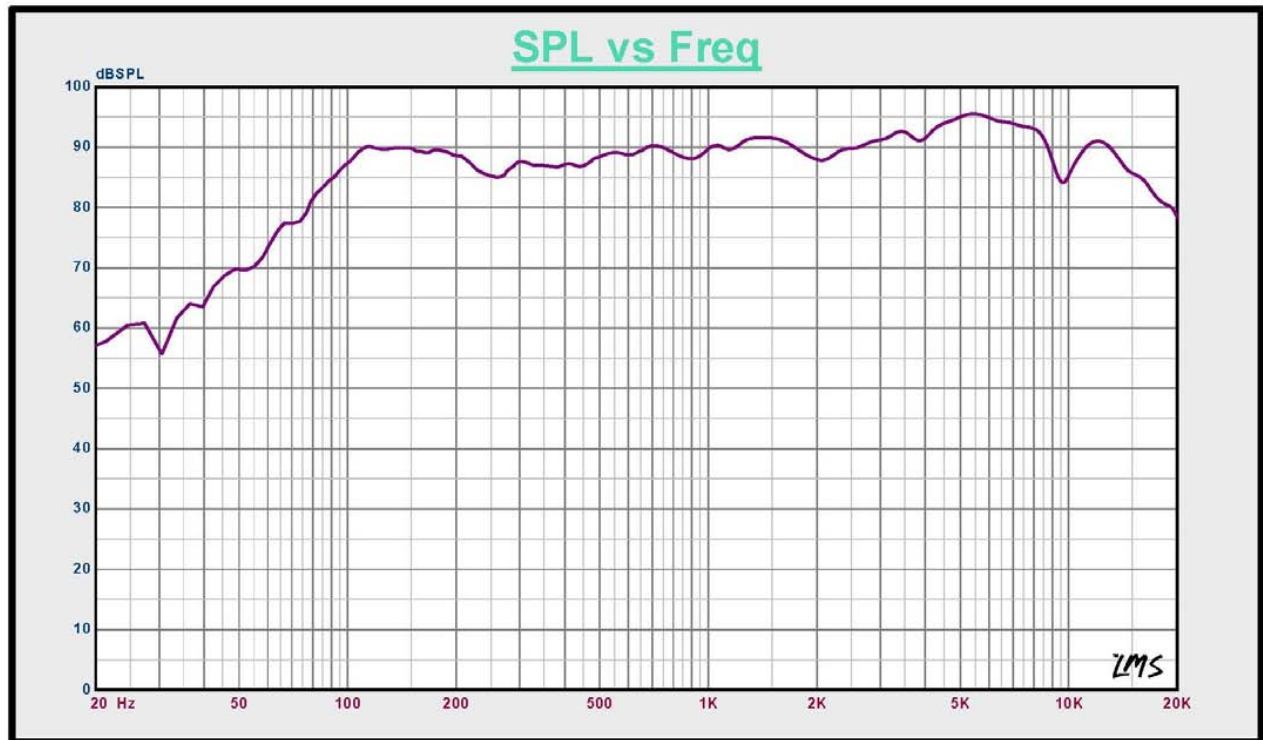
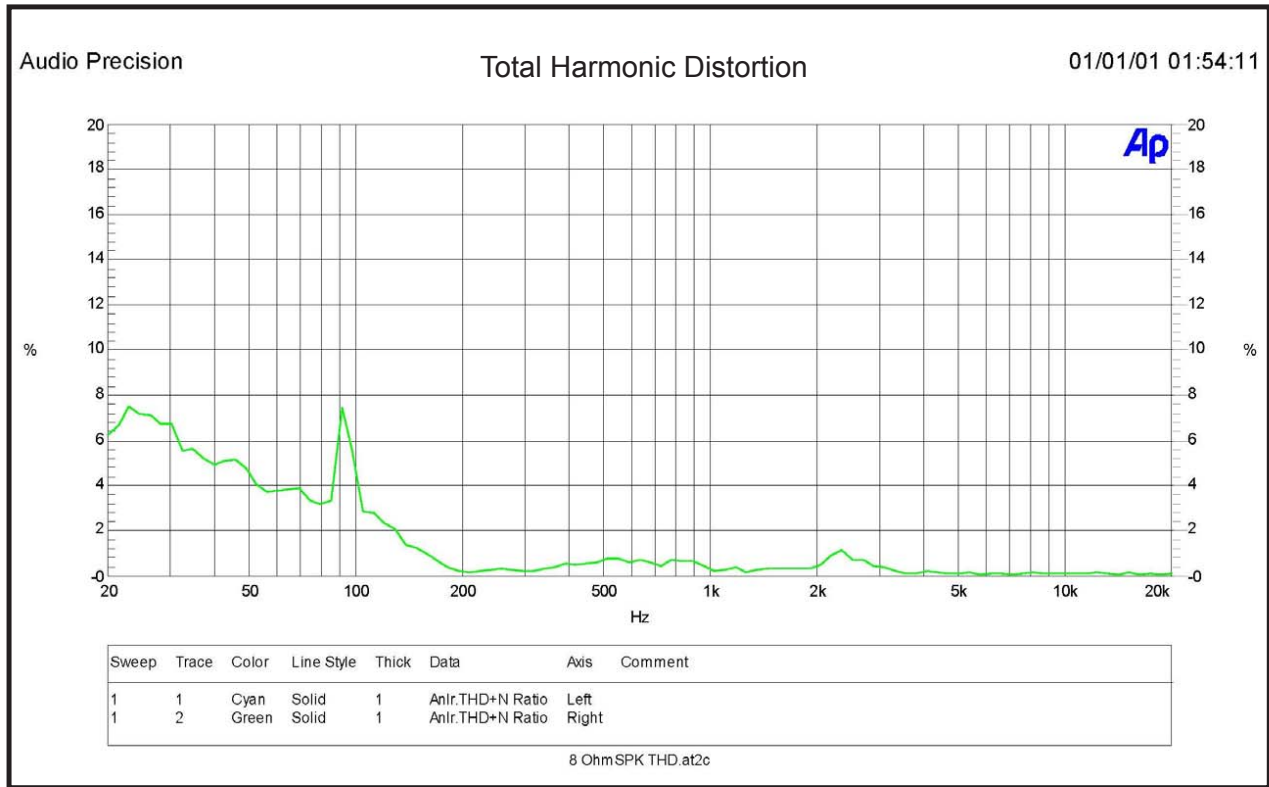
The loudspeaker shall be black and shall be the Speco Technologies SP6MATB

SP6MAT / SP6MATB Product Dimensions



Speco Technologies is constantly developing and improving products. We reserve the right to modify product design and specifications without notice and without incurring any obligation. Spec Rev. 10/6/20

SP6MAT / SP6MATB



Speco Technologies is constantly developing and improving products. We reserve the right to modify product design and specifications without notice and without incurring any obligation. Spec Rev. 10/6/20