

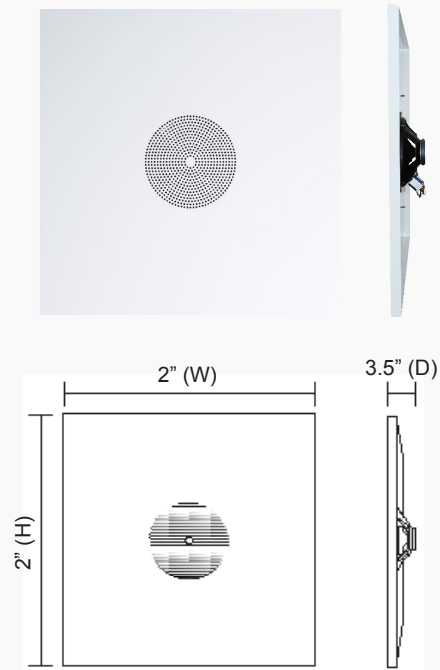
86 Series - 70/25V 2'x2' Grille In-Ceiling Contractor Speaker

G86TG2X2 8" 70/25V 2'x2' grille in-ceiling speaker

G86TG2X2C 8" 70/25V 2'x2' grille in-ceiling speaker with volume control knob

Features

- Square style white steel grille
- 70/25V transformer with colored leads
- "C" models features volume control knob centered on grille
- Manufactured to comply with RoHS standards
- Lifetime warranty



Specifications

	G86TG2X2	G86TG2X2C
RMS Power	10W	10W
Max. Power.....	15W	15W
Transformer Type	70/25V	70/25V
Transformer Power Type	5W, 2.5W, 1W, 0.5W, 0.25W & 8 Ohms	5W, 2.5W, 1W, 0.5W, 0.25W & 8 Ohms
Termination Type	Colored leads	Colored leads
Sensitivity (1W/1M).....	90dB	90dB
Maximum SPL (Pax/1M).....	100dB	100dB
Driver Impedance	8 Ohms	8 Ohms
Magnet.....	5 oz. ferrite	5 oz. ferrite
Frequency Response Range.....	85Hz ~ 20kHz	85Hz ~ 20kHz
Dispersion @ 1000Hz.....	120° Conical	120° Conical
Driver	8" paper cone woofer, .8" dual cone tweeter	8" paper cone woofer, .8" dual cone tweeter
Speaker Dimensions.....	2" (W) x 2" (H) x 3.5" (D)	2" (W) x 2" (H) x 3.5" (D)
Minimum Mounting Depth.....	2.7"	2.7"
Weight	10.5 lbs.	10.6 lbs.
Material.....	Grille: steel	Grille: steel
Color.....	Off-White	Off-White

Optional Accessory



STH8
Heavy Gauge
Steel Backcan

Speco Technologies is constantly developing and improving products. We reserve the right to modify product design and specifications without notice and without incurring any obligation. Spec Rev. 5/23/19