

ASSA ABLOY
Opening Solutions

Experience a safer
and more open world

Electronic Security Hardware

HES | Securitron Product Catalog

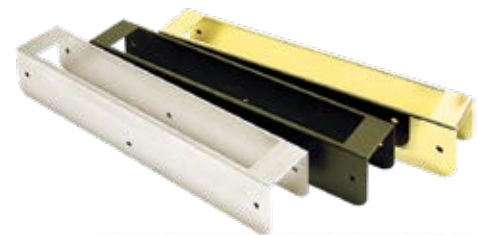


Securitron® SAM Accessories

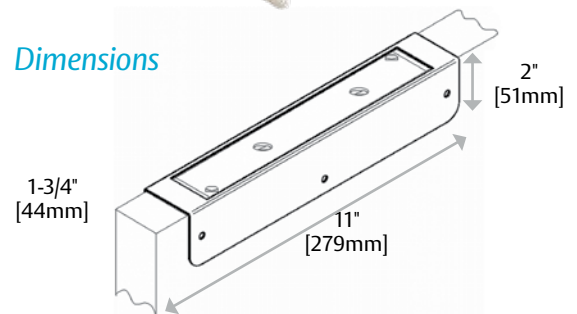
SWB SAM Wood Bracket

- SAM Wood Door Bracket provides additional strength and protection for the SAM strike plate in wood door applications
- MagnaCare® lifetime replacement, no-fault, no questions asked warranty

| Part Number | Description | Finish |
|----------------|------------------|-------------------|
| SWB-03 | SAM Wood Bracket | Brass Polished |
| SWB-10B | SAM Wood Bracket | Oil Rubbed Bronze |
| SWB-26D | SAM Wood Bracket | Satin Stainless |



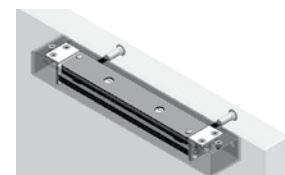
Dimensions



SAM Surface Mount Kit

- Available for the M38 and M68
- Used to mount the lock on the secure side of a door that swings into a secured area
- Includes a Z-Bracket and an oversized Dress Cover
- MagnaCare® lifetime replacement, no-fault, no questions asked warranty

| Part Number | Description | Finish |
|-------------|------------------------------|-----------------|
| SMLS | Surface Mount Housing Lock | Satin Stainless |
| SMSS | Surface Mount Housing Strike | Satin Stainless |



SMSS



MagnaCare
Warranty

Genuine Magnalock® Selection Guide

Out-Swing Door Magnalock Selection Guide

Locks mount on the secure side of the door and door swings away from secure side.
Dual doors will require two locks (x2), one for each leaf (except for DM62).

Preferred Application = x

| Door Type | M32 | M380 | M62 | M680E | M82 | SAM |
|---|-----|------|-----|-------|-----|-----|
| Glass Door (w/ Aluminum Frame) | x | x | | x | | |
| Wood Door (Traffic Control) | x | x | | | | |
| Wood Door (High Security) | | | x | x | x | |
| Metal Door (Traffic Control) | x | x | | | | |
| Metal Door (High Security) | | | x | x | x | |
| Herculite Door (w/out Top or Bottom Rail) | x | | | x | | |
| Herculite Door (w/Top or Bottom Rail) | | | | x | | x |

In-Swing Door Magnalock Selection Guide

Locks mounted on the secure side of the door and door swings toward secure side. Dual doors will require two locks (x2), one for each leaf.

Preferred Application = x

| Door Type | M32F | M38 | M62F | M68 | M82F |
|--------------------------------|------|-----|------|-----|------|
| Glass Door (w/ Aluminum Frame) | x | x | | | |
| Wood Door (Traffic Control) | x | x | | | |
| Wood Door (High Security) | | | x | x | |
| Metal Door (Traffic Control) | | x | | | |
| Metal Door (High Security) | | | x | x | x |

Sliding Door Magnalock Selection Guide

Preferred Application = x

| Door Type | M34R | SAM |
|----------------------|------|-----|
| Double Sliding Doors | | x |
| Single Sliding Doors | x | |

All Securitron Magnalocks are fail safe electric locking devices