

Securitron® M380E Series Magnalock®

ASSA ABLOY
Opening Solutions

Experience a safer
and more open world



Introducing the next iteration
of EcoMag Technology.

Intelligent, secure and easy to install
with decreased energy consumption,
saving valuable time and money.

Flexible & Quick Installation

- Low profile with 600 lbs holding force offers medium security to the access point
- All-in-one optional integrated PIR provides flexibility to customize as needed, reducing the number of components around the door
- New strike plate mounting template makes installation faster than ever

Advanced Intelligence

- Optional door prop sensing allows the magnet to de-energize the coil when the door is held open, dropping power as low as 20mA
- Autosensing dual voltage with microprocessor technology
- Synchronous double door release using a single Request to Exit

Continued Sustainability

- Similar to the Securitron M680E, the M380E offers up to 80% decrease in energy consumption with average power draw as low as 90mA at 24V
- Sustainability documentation outlines the environmental impact of this product and are available for use in specification requirements
- Completely biodegradable corn starch packaging insert means less waste



Securitron M380EBDX

Securitron M380EBD



Grade 3



MagnaCare
Warranty



Auto Sensing
Dual Voltage
12/24



PoE
Friendly



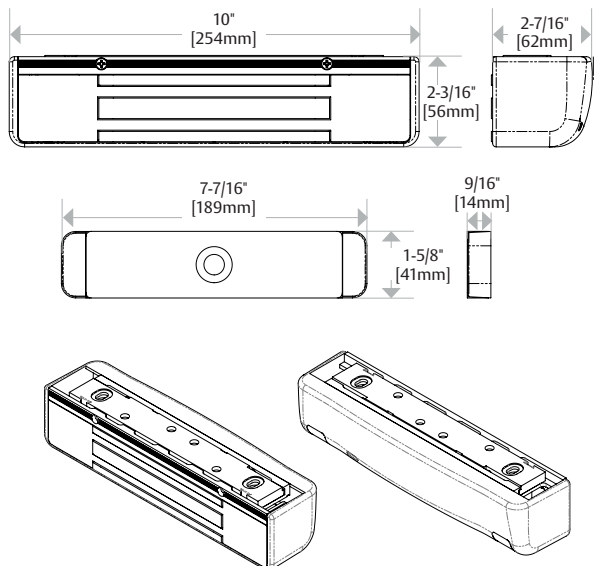
Fire Rated



Preload

Intelligent | Flexible | Sustainable

Dimensions



Specifications

Certifications

- UL 10C Listed
- UL 1034 Listed
- UL 294 Listed
- CAN4-S104, CAN/ULC Listed
- ANSI/BHMA A156.23, Grade 3
- CSFM—California State Fire Marshal Approved

Electrical Consumption

- **Maglock Average Power Draw (±10%)**
 - 140mA at 12VDC
 - 90mA at 24VDC
- **Maglock Maximum Power Draw (±10%)**
 - 585mA at 12VDC
 - 310mA at 24VDC
- **REX Power (±10%)**
 - Adds 25mA at 12VDC
 - Adds 10mA at 24VDC

Holding Force

- 600 lbs [272kg]

Operating Temperature

- 32° to 110°F [0° to 43°C]
- Indoor use only

Shipping Weight

- 6.5 lbs [2.94kg]

Features

Standard Features

- Sustainability documentation
- Energy efficient, low power usage
- Synchronous double door release using a single Request to Exit
- Auto calibration upon installation
- Automatic dual-voltage – no field adjustment required
- LED Indicator shows the lock is secure, open, or has an incomplete bond
- Tamper Switch sends an alarm output if the cover is removed and is selectable to NO or NC
- Autosensing dual voltage with microprocessor technology
- Rust resistant – all ferrous metal surfaces plated for durability
- Adjustable automatic relock timer (0 to 30 seconds)
- Wire chamber anti-tamper switch
- Size optimized for use with door closers
- Patented BondSTAT lock sensor and integrated Door Position Switch (DPS) with relock timer
- MagnaCare® lifetime replacement, no fault, no questions asked warranty

Optional Features

- **X** Integrated passive infrared request to exit

How to Order

Model Series		Accessory Options	Finish Options
M380E	BD	X	– 606
M380E 600 lbs	BD BondSTAT Monitor & Door Position Switch	(blank) No Accessory Options X PIR Request to Exit	628/US28 Satin Aluminum Clear 605/US3 Bright Brass 606/US4 Satin Brass 612/US10 Satin Bronze 613E Dark Oxidized Satin Bronze 629 Bright Stainless Steel 630 Satin Stainless Steel BSP Black Suede Powder WSP* White Suede Powder

*Finish option available soon. Please contact your Sales Representative for product details, availability and pricing.

ELECTRONIC SECURITY HARDWARE

HES | Securitron

assaabloyesh.com | 800.626.7590 | 10027 S. 51st Street, Ste. 102 Phoenix, AZ 85044 USA

Patent pending and/or patent www.assaabloydss.com/patents

Copyright © 2019, Hanchett Entry Systems, Inc., an ASSA ABLOY Group company. All rights reserved. Reproduction in whole or in part without the express written permission of Hanchett Entry Systems, Inc. is prohibited. ESH-SEC-57-0519