

**ASSA ABLOY**  
Opening Solutions

Experience a safer  
and more open world

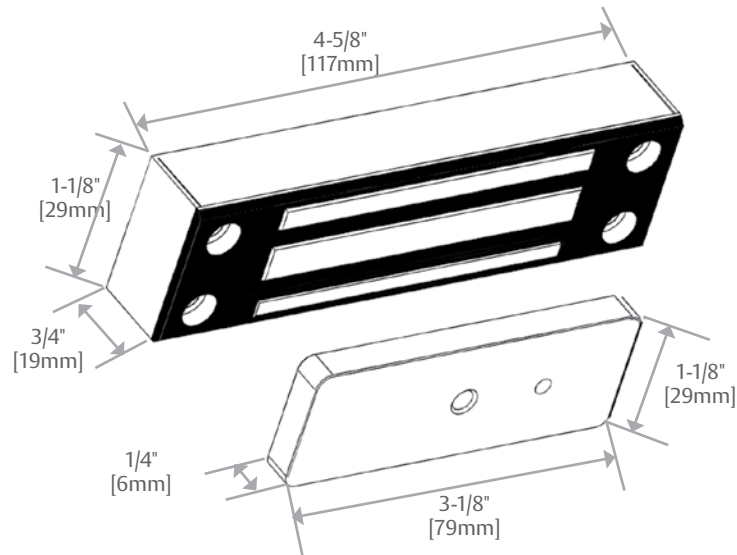
# Electronic Security Hardware

HES | Securitron Product Catalog



## Securitron MCL Cabinet Lock

## Dimensions



## Specifications

*Electrical*

- 84mA at 24 VDC

*Holding Force*

- Static Strength 170 lbs

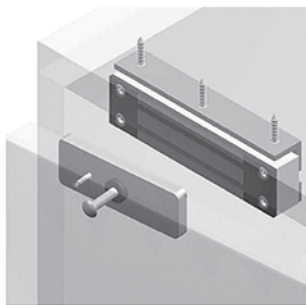
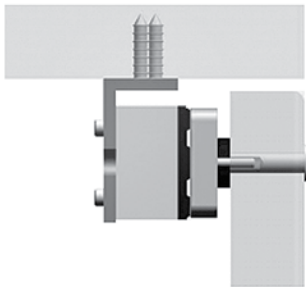
*Environmental*

- Operating Temperature: 40° to 140°F [-40° to 60°C]
- Indoor or outdoor use

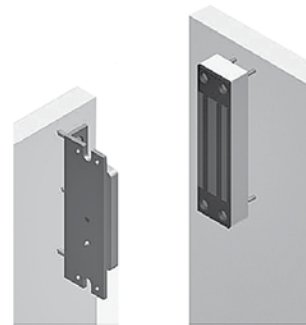
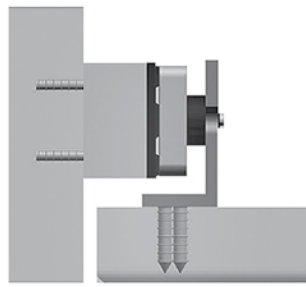
*Shipping Weight*

- 6 lbs [2.72kg]

## Swinging Door



## Sliding Door



# Securitron<sup>®</sup> M32-SS Split Strike Magnalock<sup>®</sup>

*Double-door cabinet control*



Now you can add asset control to your existing access control system with the durable, power-efficient Securitron M32-SS.

Each strike plate of the Securitron M32-SS delivers 300 lbs of holding force (600 lbs total). Ideal for securing large two-door cabinets, retail cases or double-door, indoor/outdoor storage applications with out-swinging doors that share a center latching point.

## Features

### Standard Features

- Direct mount with common tools for strength and reliability
- For 5/8" to 7/8" [15.875mm to 22.225mm] thick cabinet doors
- Efficient, low power usage
- Noise suppression with included MOV
- Instant release circuit — no residual magnetism
- Fully sealed and for weather-proof operations
- Rust resistant — all ferrous metal surfaces plated for durability
- 10 ft. [3.05m] of jacketed, stranded conductor cable
- MagnaCare<sup>®</sup> lifetime replacement, no-fault, no questions asked warranty

### Optional Features

- **B** BondSTAT<sup>®</sup> magnetic bond sensor — Patented (MBS)
- Use with CWB-32 bracket for mounting option on wood or concrete



MagnaCare  
Warranty



Swinging  
Door



Dual Voltage  
12/24



Fire Rated



Outdoor  
Rated



Preload