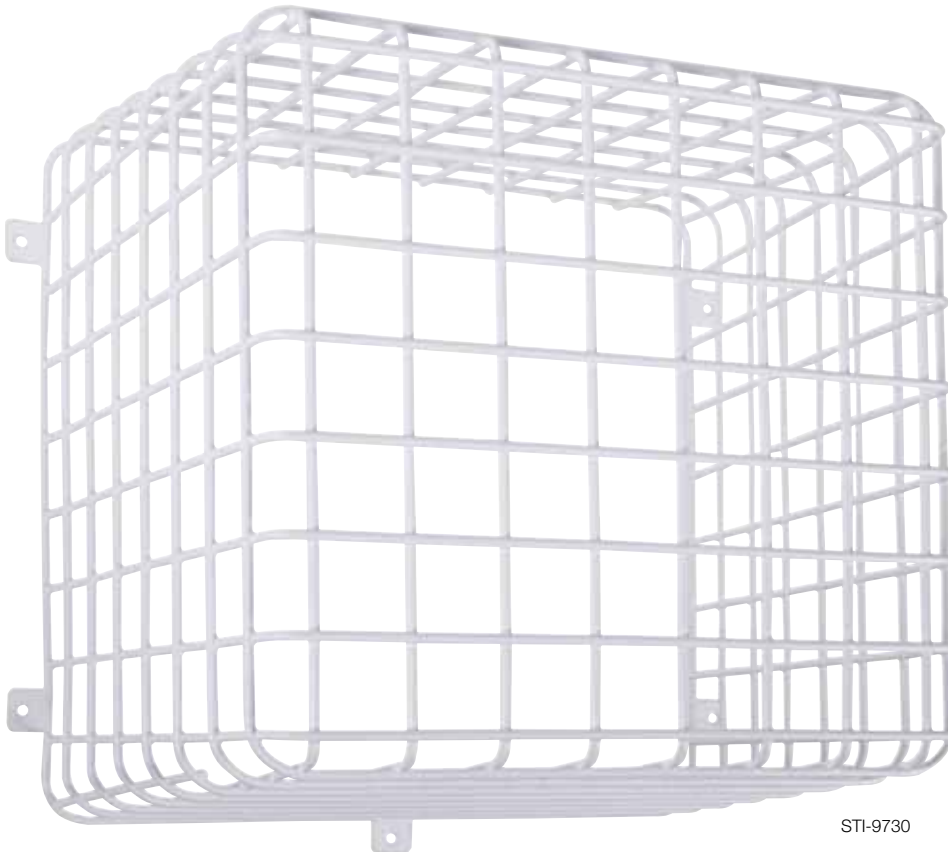


STI WIRE GUARD DAMAGE STOPPER®



STI-9730

PRODUCT OVERVIEW

These members of the STI Wire Guard Team were created in response to multiple requests from STI customers. The STI-9729 and STI-9730 are constructed of 9-gauge steel wire coated with corrosion resistant polyester. The size and sturdy steel construction make the multi use Damage Stoppers an easy choice for protecting a wide variety of sensitive equipment.

KEY FEATURES

General Information

- Guards protect a wide variety of devices against theft and vandalism.
- May be spray painted once prior to installation to match décor.
- Three year guarantee against breakage in normal use.

Construction

- Constructed of 9-gauge coated steel wire.
- Coated with corrosion resistant polyester.

Installation

- Fast and easy installation with all screws and anchors provided.



For more information, call 1-800-888-4784 (4STI) or visit www.sti-usa.com



**Safety Technology
International, Inc.**

STI Wire Guard Damage Stopper®

Dimensions and Technical Information

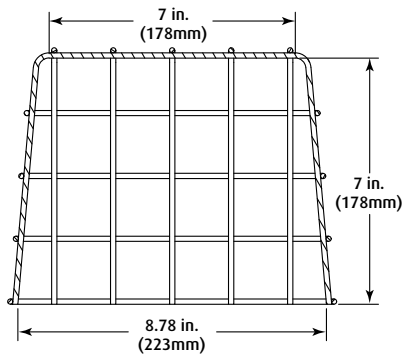
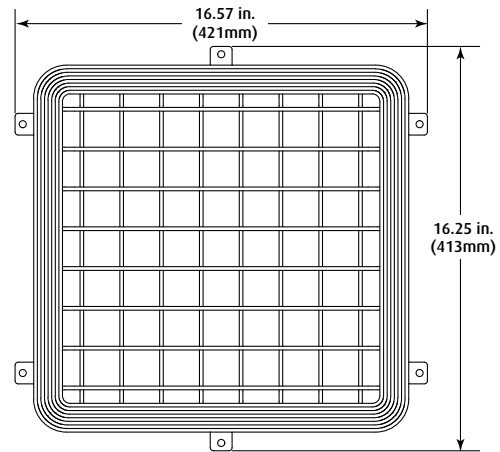
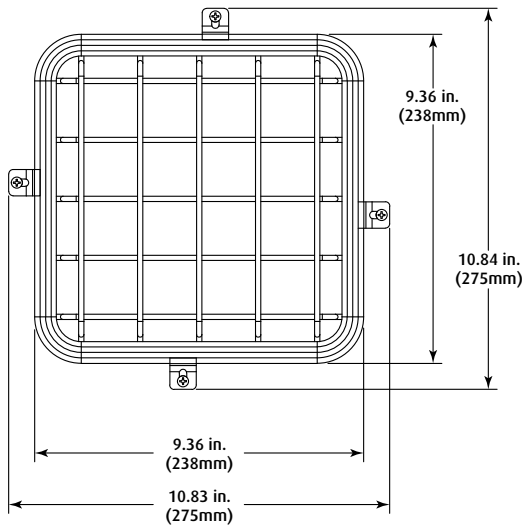
MODELS AVAILABLE

STI-9729 7 x 7 x 7"

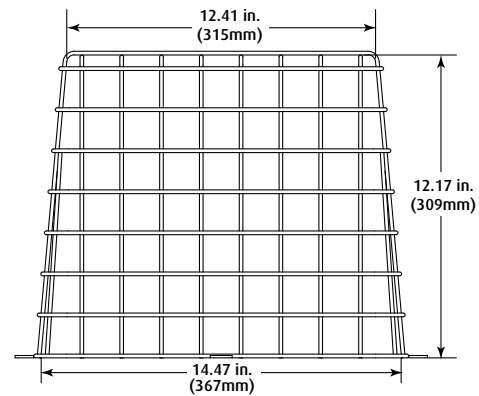
STI-9730 12 x 12 x 12"

WARRANTY

Three year guarantee against breakage in normal use.



STI-9729



STI-9730



**Safety Technology
International, Inc.**

2306 Airport Road
Waterford, Michigan
48327, USA

Tel: 248-673-9898
Fax: 248-673-1246
Toll-free: 800-888-4784
info@sti-usa.com
www.sti-usa.com

Unit 49G Pipers Road
Park Farm Industrial Estate
Redditch, Worcestershire
B98 0HU England

Tel: 44 (0) 1527 520 999
Fax: 44 (0) 1527 501 999
info@sti-europe.com
www.sti-europe.com