

STI Heated Polycarbonate Enclosures



STI-7510F-HTR



STI-7520-HTR

NEMA 4X

PRODUCT OVERVIEW

These covers are ideal for protecting a wide range of devices, components and sensitive units from vandalism and accidental damage as well as weather, dirt, dust and grime. Covers are designed to keep the enclosure at a temperature above freezing which allows the protected unit to be installed outdoors, in freezers, unheated warehouses or storage units. The radiant heat plate prevents LCD displays from becoming sluggish or freezing and operates on 12, 16.5 or 24 VAC/VDC. The STI-7510-HTR/STI-7511-HTR enclosures include an external thumb or key lock and have a choice of two enclosed backboxes. STI-7520-HTR has a key lock and STI-7521-HTR has a thumb lock.

HOW THEY WORK

The radiant heat plate cycles as required when activated by one of the thermostats. It has three thermostats; a control thermostat, over temperature safety thermostat and a low temperature warning that can connect to a supervisory panel. This allows electronics to be protected from extreme temperatures.

FEATURES

- Protection for large units against physical damage, dust, grime and severe environments.
- Enclosure offers three thermostats; a control thermostat, over temperature safety thermostat and a low temperature warning that can connect to a supervisory panel.
- The radiant heat plate prevents LCD displays from becoming sluggish or freezing.
- Mounting hardware and gaskets included.
- Allows electronic devices to be installed outdoors, in freezers, unheated warehouses or storage units.
- Includes 16.5VAC, 40VA Class 2 auto resetting transformer.
- Typical working properties of polycarbonate are -40° to 250°F (-40° to 121°C).
- Lifetime guarantee against breakage of polycarbonate in normal use (one year on electro mechanical and electronic components).

STI Heated Polycarbonate Enclosures

Dimensions and Technical Information

MODELS AVAILABLE

- STI-7510A-HTR** Cover with heater, external key lock and enclosed deep backbox
- STI-7510F-HTR** Cover with heater, external key lock and enclosed backbox
- STI-7511A-HTR** Cover with heater, external thumb lock and enclosed deep backbox
- STI-7511F-HTR** Cover with heater, external thumb lock and enclosed backbox
- STI-7520-HTR** Cover with heater, external key lock and enclosed backbox
- STI-7521-HTR** Cover with heater, external thumb lock and enclosed backbox
- 18021** 3/4" NEMA 4X Rated ridged conduit hub for "A" backbox (not included)
- SUB-318** Adapter plate used for mounting "A", "B" or "F" backbox to pedestal
- SUB-6297B20** 3/4" conduit hub kit for "F" backbox (not included)
- SUB-7500-HTR** Replacement heater plate for STI-7510/11-HTR series
- SUB-7520-HTR** Replacement heater plate for STI-7520/21-HTR series

APPROVALS & WARRANTY

TESTING

STI-7520-HTR and STI-7521-HTR have been tested and approved or listed by:

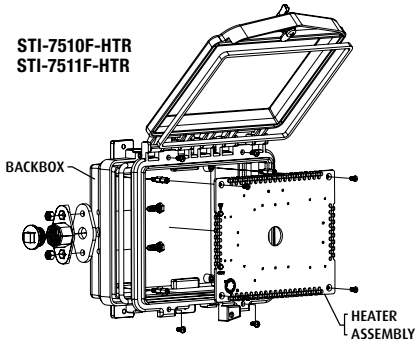
- NEMA 4X Certified

WARRANTY

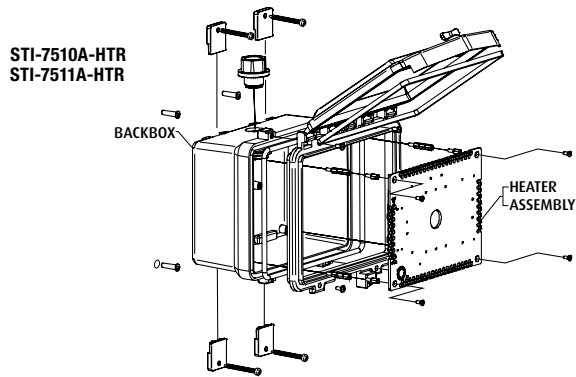
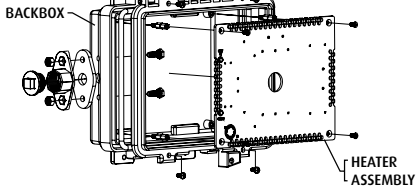
Lifetime guarantee against breakage of polycarbonate in normal use (one year on electro mechanical and electronic components).

HEATER OUTPUT

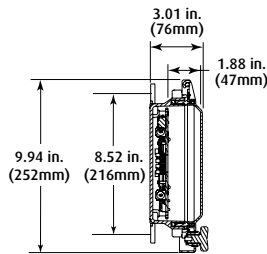
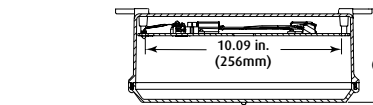
VOLTS	WATTS
12	19
16.5	36
24	77



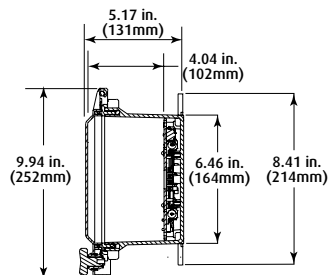
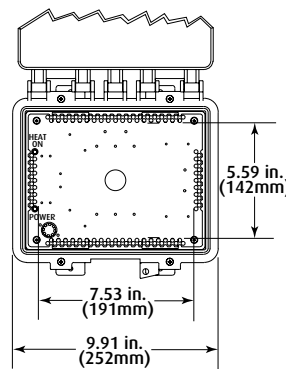
STI-7510F-HTR
STI-7511F-HTR



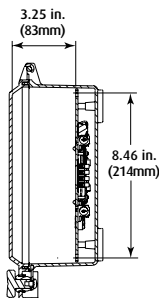
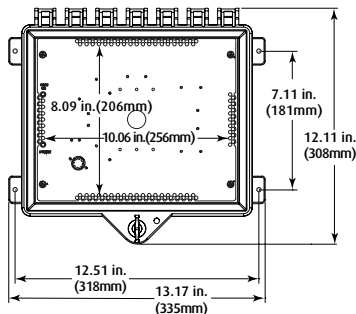
STI-7510A-HTR
STI-7511A-HTR



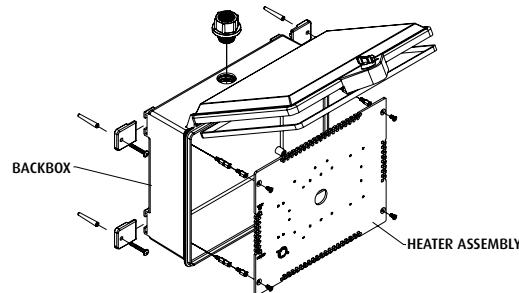
F BACKBOX



A BACKBOX



STI-7520-HTR
STI-7521-HTR



BACKBOX

HEATER ASSEMBLY



Safety Technology International, Inc.

2306 Airport Road
Waterford, Michigan
48327, USA

Tel: 248-673-9898
Fax: 248-673-1246
Tollfree: 800-888-4784
info@sti-usa.com
www.sti-usa.com

Unit 49G Pipers Road
Park Farm Industrial Estate
Redditch, Worcestershire
B98 0HU England

Tel: 44 (0) 1527 520 999
Fax: 44 (0) 1527 501 999
Free: 0800 085 1678 (UK)
www.sti-europe.com