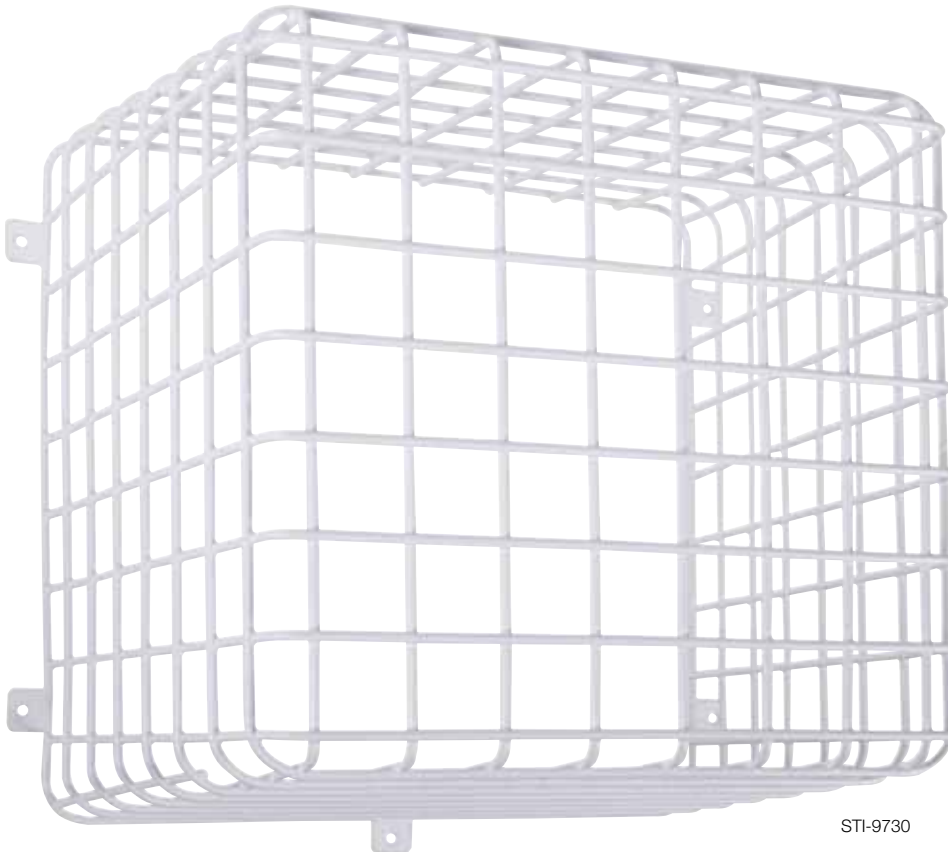


STI WIRE GUARD DAMAGE STOPPER®



STI-9730

PRODUCT OVERVIEW

These members of the STI Wire Guard Team were created in response to multiple requests from STI customers. Constructed of 9-gauge steel wire coated with corrosion resistant polyester. The size and sturdy steel construction make the multi use Damage Stoppers an easy choice for protecting a wide variety of sensitive equipment.

KEY FEATURES

General Information

- Guards protect a wide variety of devices against theft and vandalism.
- For use in controlled environment (not intended for outdoor use).
- May be spray painted once prior to installation to match décor.
- Three year guarantee against breakage in normal use.

Construction

- Constructed of 9-gauge coated steel wire.
- Coated with corrosion resistant polyester.

Installation

- Fast and easy installation with all screws and anchors provided.

STI Wire Guard Damage Stopper®

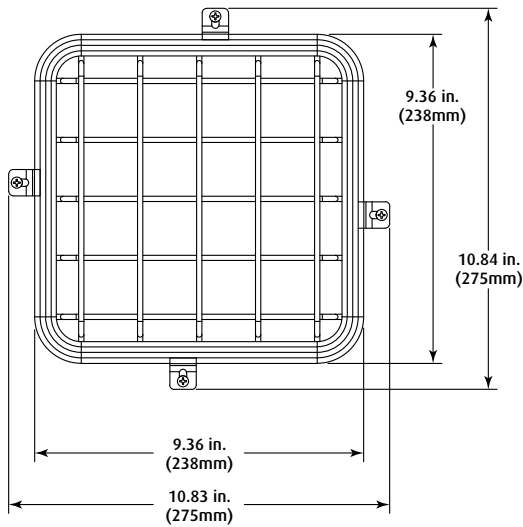
Dimensions and Technical Information

MODELS AVAILABLE

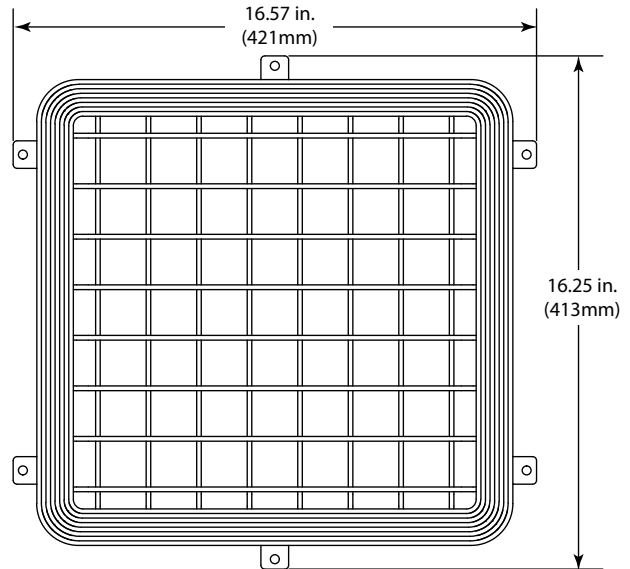
- STI-9729** 7 x 7 x 7"
- STI-9730** 12 x 12 x 12"
- STI-9731** 12 x 12 x 8" (special order)
- STI-9732** 18 x 15 x 13" (special order)

WARRANTY

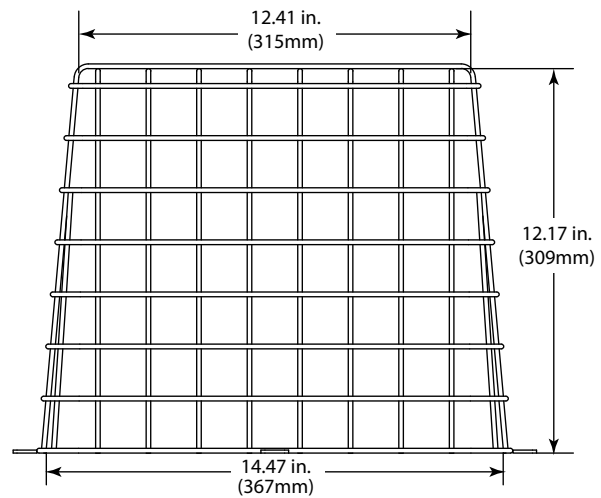
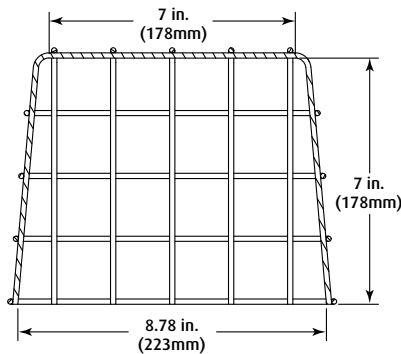
Three year guarantee against breakage in normal use.



STI-9729



STI-9730



Safety Technology International

2306 Airport Road
Waterford, Michigan
48327, USA

Tel: 248-673-9898
Fax: 248-673-1246
info@sti-usa.com
www.sti-usa.com

Taylor House
34 Sherwood Road
Bromsgrove, Worcestershire
B60 3DR, England

Tel: +44 (0)1527 520 999
Fax: +44 (0)1527 501 999
info@sti-emea.com
www.sti-emea.com