

STI Widebody Keypad Protector



STI-6560

PRODUCT OVERVIEW

Here is a super tough protective cover to increase the life and reliability of larger digital keypads, access controls, alarms, volume or lighting controls and similar devices by protecting them from accidental or intentional damage, as well as severe environments, dirt and grime when optional gaskets are installed. Two models are offered, one with a lock and one without. Each comes in either clear or smoked. Installation is simple with anchors and screws provided.

BACKED BY A LIFETIME GUARANTEE

As all STI protective covers, Widebody is backed by a lifetime guarantee against breakage in normal use. It is molded of thick, super tough polycarbonate material.

FEATURES

- Molded of thick, super tough polycarbonate material.
- Protection against physical damage, grime and harsh environments inside and out.
- Gasket available for use in areas that require frequent hosing down or have a wet environment.
- Available with or without a key lock.
- Available in clear or smoke color.
- Typical working properties of polycarbonate are -40° to 250°F (-40° to 121°C).
- Fast, easy installation.
- Lifetime guarantee against breakage of polycarbonate in normal use.

STI Widebody Key Protector

Dimensions and Technical Information

MODELS AVAILABLE

STI-6550	Widebody Keypad Protector without lock - clear
STI-6560	Widebody Keypad Protector with key lock - clear
STI-6550S	Widebody Keypad Protector without key lock - smoke
STI-6560S	Widebody Keypad Protector with key lock - smoke
STI-6552	Weather Gasket, 3/16 in.
STI-6582	Backplate
SUB-81	Tamper resistant stainless steel screws, #8 x 2 in. snake eye (quantity 4)
19038	Tamper bit for SUB-81

NOTE: Locking units are not permitted on actuation stations used for fire or emergency life safety functions.

APPROVALS & WARRANTY

TESTING

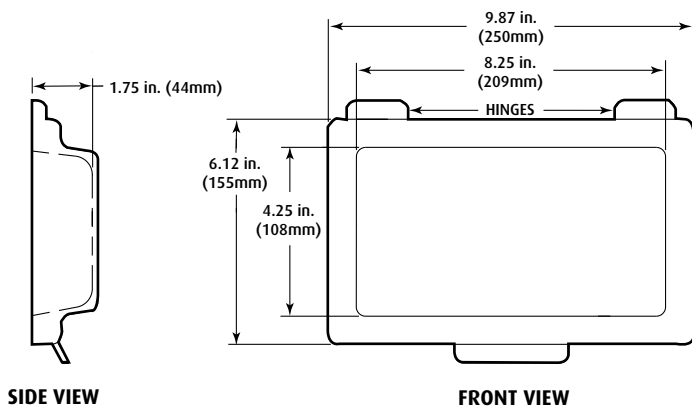
It has been tested and approved or listed by:
· Underwriter Laboratories No. S7255
· Canadian Underwriter Laboratories No. S7255

WARRANTY

Lifetime guarantee against breakage of polycarbonate in normal use.

ACCESSORIES

These tough protective covers become even more useful with these accessories: STI Heater Kit to protect your keypads, etc. in cold climates (assuring their continued operation), a weather gasket, a backplate and additional keys for locking models.



**Safety Technology
International, Inc.**

2306 Airport Road
Waterford, Michigan
48327, USA

Tel: 248-673-9898
Fax: 248-673-1246
Tollfree: 800-888-4784
info@sti-usa.com
www.sti-usa.com

Unit 49G Pipers Road
Park Farm Industrial Estate
Redditch, Worcestershire
B98 0HU England

Tel: 44 (0) 1527 520 999
Fax: 44 (0) 1527 501 999
Free: 0800 085 1678 (UK)
www.sti-europe.com